



POWER  
TOOLS

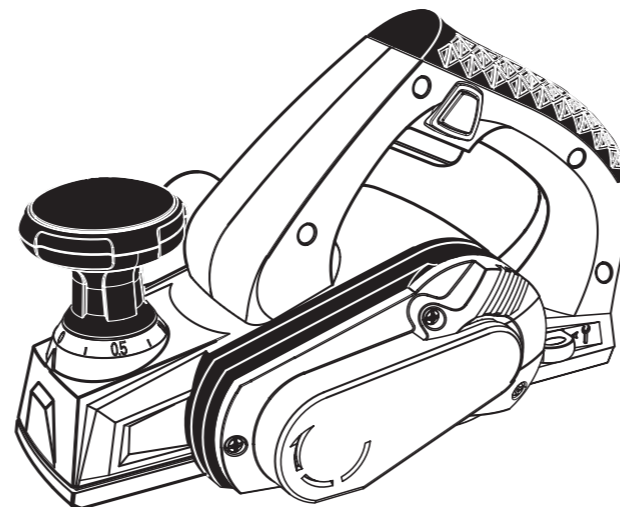
**SPARKY**

www.sparkygroup.com



## PROFESSIONAL

EN	<b>DOUBLE BLADE PLANER</b>	1 – 8
	Original instructions	
DE	<b>ZWEIMESSERHOBEL</b>	9 – 17
	Originalbetriebsanleitung	
FR	<b>RABOT A DEUX LAMES</b>	18 – 26
	Notice originale	
IT	<b>PIALLETTO PROFILO A 2 LAME</b>	27 – 34
	Istruzioni originali	
ES	<b>CEPILLO DE DOS CUCHILLAS</b>	35 – 43
	Instrucciones de uso originales	
PT	<b>PLAINA DUPLA</b>	44 – 52
	Instrução original para o uso	
PL	<b>STRUG DWUOSTRZOWY</b>	53 – 61
	Instrukcja oryginalną	
RU	<b>РУБАНОК С ДВУМЯ ЛЕЗВИЯМИ</b>	62 – 70
	Оригинальная инструкция по эксплуатации	
UK	<b>РУБАНОК С ДВОМА ЛЕЗАМИ</b>	71 – 79
	Оригінальна інструкція з експлуатації	
BG	<b>РЕНДЕ С ДВА НОЖА</b>	80 – 88
	Оригинална инструкция за използване	



450W

P 160

### EN DECLARATION OF CONFORMITY

We declare under our sole responsibility that this product fulfils all the relevant provisions of the following directives and the harmonized standards: 2006/42/EC, 2004/108/EC, EN 60745-1, EN 60745-2-14, EN 55014-1, EN 55014-2, EN 61000-3-2, EN 61000-3-3. Technical file is stored at SPARKY ELTOS AG, Kubrat Str. 9, 5500 Lovetch, Bulgaria.

### DE KONFORMITÄTSEKTLÄRUNG

Hiermit versichern wir unsere persönliche Haftung, dass dieses Erzeugnis allen einschlägigen Bestimmungen folgender Richtlinien und entsprechender harmonisierten Standards entspricht: 2006/42/EC, 2004/108/EC, EN 60745-1, EN 60745-2-14, EN 55014-1, EN 55014-2, EN 61000-3-2, EN 61000-3-3.

Die technischen Unterlagen werden bei SPARKY ELTOS AG, Kubrat Str.9, 5500 Lovetch, Bulgarien, aufbewahrt.

### FR DECLARATION DE CONFORMITE

Nous déclarons sous notre responsabilité que ce produit satisfait à l'ensemble des dispositions pertinentes de la présente directives, respectivement aux normes harmonisées: 2006/42/EC, 2004/108/EC, EN 60745-1, EN 60745-2-14, EN 55014-1, EN 55014-2, EN 61000-3-2, EN 61000-3-3.

Le dossier technique est conservé par SPARKY ELTOS AD, 9, rue Kubrat, Lovech, Bulgarie.

### IT DICHIARAZIONE DI CONFORMITÀ

Noi dichiariamo sotto la nostra personale responsabilità, che questo prodotto è in conformità a tutte le disposizioni pertinenti della presente direttive e norme armonizzate: 2006/42/EC, 2004/108/EC, EN 60745-1, EN 60745-2-14, EN 55014-1, EN 55014-2, EN 61000-3-2, EN 61000-3-3.

Il fascicolo tecnico viene custodito presso la SPARKY ELTOS, 5500 Lovech, via Kubrat n. 9, Bulgaria

### ES DECLARACIÓN DE CONFORMIDAD

Declaramos bajo nuestra exclusiva responsabilidad que este producto está conforme con todas las disposiciones aplicables de la presente directrices aplicables y las correspondientes normas armonizadas: 2006/42/EC, 2004/108/EC, EN 60745-1, EN 60745-2-14, EN 55014-1, EN 55014-2, EN 61000-3-2, EN 61000-3-3.

El expediente técnico está archivado en SPARKY ELTOS SA, C/ Kubrat, 9, 5500 Lovech, Bulgaria.

### PT DECLARAÇÃO DE CONFORMIDADE

Declaramos assumindo a nossa responsabilidade pessoal que este produto está conforme com todas as disposições relevantes da presente directrizes aplicáveis e respectivos estandartes harmonizados: 2006/42/EC, 2004/108/EC, EN 60745-1, EN 60745-2-14, EN 55014-1, EN 55014-2, EN 61000-3-2, EN 61000-3-3.

O expediente técnico fica guardado na SPARKY ELTOS SA, rua Kubrat, 9, 5500 Lovech, Bulgária

### PL DEKLARACJA ZGODNOŚCI

Niniejszym deklarujemy naszą osobistą odpowiedzialnością, że ten produkt spełnia wszystkie odpowiednie postanowienia następujących dyrektyw i harmonizowanych standardów: 2006/42/EC, 2004/108/EC, EN 60745-1, EN 60745-2-14, EN 55014-1, EN 55014-2, EN 61000-3-2, EN 61000-3-3.

Teczka techniczna przechowywana jest w SPARKY ELTOS AG, Kubrat Str.9, 5500 Lovetch, Bulgaria

### RU ДЕКЛАРАЦИЯ О СООТВЕТСТВИИ

Мы заявляем со всей ответственностью, что данный продукт полностью соответствует всем соответствующим требованиям действующих директив и гармонизированных стандартов: 2006/42/EC, 2004/108/EC, EN 60745-1, EN 60745-2-14, EN 55014-1, EN 55014-2, EN 61000-3-2, EN 61000-3-3.

Техническое досье хранится в СПАРКИ ЕЛТОС АД, ул. Кубрат №9, 5500 Ловеч, Болгария.

### UK ДЕКЛАРАЦІЯ ПРО ВІДПОВІДНІСТЬ

Ми заявляємо під свою власну відповідальність, що даний продукт відповідає всім діючим вимогам директив і гармонізованих стандартів: 2006/42/EC, 2004/108/EC, EN 60745-1, EN 60745-2-14, EN 55014-1, EN 55014-2, EN 61000-3-2, EN 61000-3-3.

Технічне досьє зберігається в СПАРКИ ЕЛТОС АД, ул. Кубрат № 9, 5500 Ловеч, Болгарія.

### BG ДЕКЛАРАЦИЯ ЗА СЪОТВЕТСТВИЕ

Ние декларираме на своя лична отговорност, че това изделие отговаря на всички приложими изисквания на следните директиви и хармонизирани стандарти: 2006/42/EC, 2004/108/EC, EN 60745-1, EN 60745-2-14, EN 55014-1, EN 55014-2, EN 61000-3-2, EN 61000-3-3.

Техническото досие се съхранява в СПАРКИ ЕЛТОС АД, ул. Кубрат №9, 5500 Ловеч, България.

Manufacturer  
SPARKY Power Tools GmbH  
Leipziger Str. 20  
10117 Berlin, GERMANY

Signature of authorized person

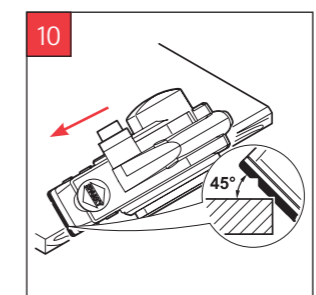
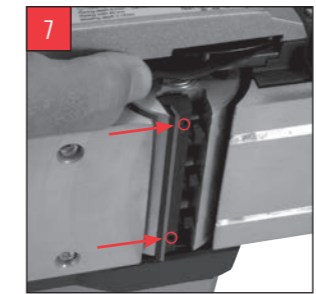
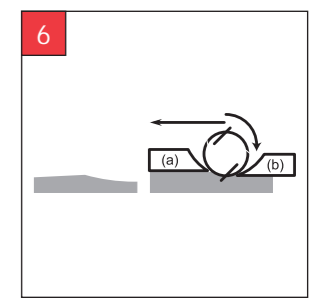
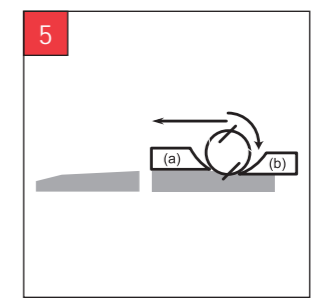
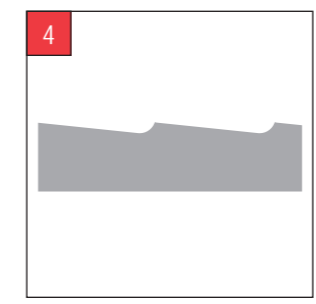
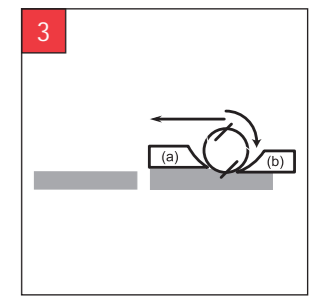
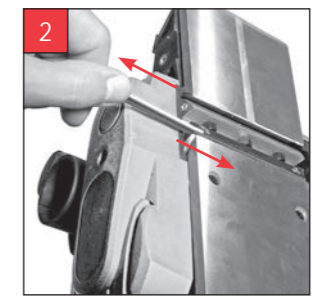
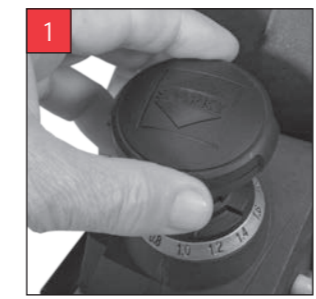
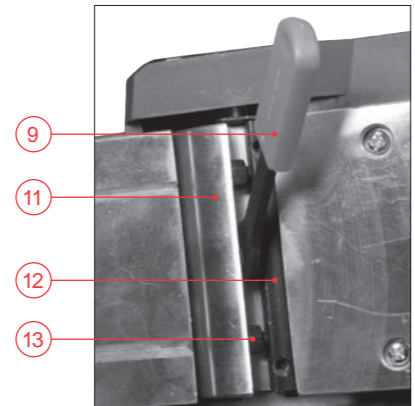
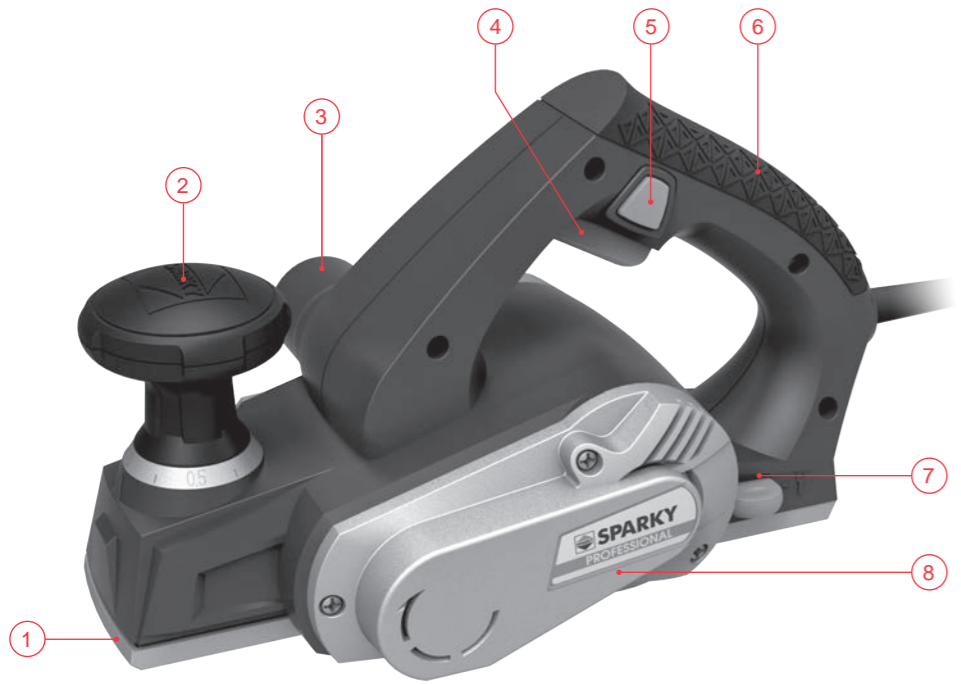
A. Ivanov  
Technical director of SPARKY ELTOS AG

23.03.2012

1203R01

© 2012 SPARKY

www.sparkygroup.com



# Contents

I - Introduction .....	1
II - Technical specifications .....	3
III - General power tool safety warnings .....	4
IV - Additional safety rules for electric planers .....	5
V - Know your product .....	6
VI - Operation .....	6
VII - Maintenance .....	8
VIII - Warranty .....	8

## UNPACKING

Due to modern mass production techniques, it is unlikely that your power tool is faulty or that a part is missing. If you find anything wrong, do not operate the tool until the parts have been replaced or the fault has been rectified. Failure to do so could result in serious personal injury.

## ASSEMBLY

This SPARKY double blade planer P 160 is packed, fully assembled except for the shavings collection bag.

## I - Introduction

Your new SPARKY power tool will more than satisfy your expectations. It has been manufactured under stringent SPARKY Quality Standards to meet superior performance criteria. You will find your new tool easy and safe to operate, and, with proper care, it will give you many years of dependable service.



### WARNING:

Carefully read through these original instructions before using your new SPARKY power tool. Take special care to heed the **Warnings**. Your SPARKY power tool has many features that will make your job faster and easier. Safety, performance, and dependability have been given top priority in the development of this tool, making it easy to maintain and operate.



### Do not dispose of electrical products together with household waste!

Waste electrical products should not be disposed of with household waste. Please recycle where facilities exist. Check with your local authority or retailer for recycling advice.



### ENVIRONMENTAL PROTECTION

The machine, accessories and packaging should be sorted for environmental-friendly recycling. The plastic components are labelled for categorised recycling.

## DESCRIPTION OF SYMBOLS

The rating plate on your tool may show symbols. These represent important information about the product or instructions on its use.



Wear a mask



Wear ear protection  
Wear eye protection



Double insulated for additional protection



Connection to vacuum cleaner



Conforms to the relevant European Directives



Conforms to the requirements of Russian standards



Conforms to the requirements of Ukrainian standards



Refer to original instructions

**YYYY-Www** Production period, where the variable symbols are:  
**YYYY** - year of manufacture, **ww** - calendar week number

**P** PLANER

## II - Technical specifications

<b>Model:</b>	<b>P 160</b>
• Power input:	450 W
• No load speed:	16000 min <sup>-1</sup>
• Planing depth:	0-1.5 mm
• Planing width:	60 mm
• Weight (EPTA Procedure 01/2003):	1.8 kg
• Safety class (EN 60745) 	II

### Noise and vibration information

▪ **Noise emission** (measured values determined according to EN 60745):

A-weighted sound pressure level L <sub>pA</sub>	83 dB(A)
Uncertainty K <sub>pA</sub>	3 dB
A-weighted sound power level L <sub>WA</sub>	94 dB(A)
Uncertainty K <sub>WA</sub>	3 dB



**Wear hearing protection!**

▪ **Vibration emission** (determined according to 6.2.7 EN 60745-1):

*Total vibration values (vector sum in the three axes) determined according to EN 60745*

Vibration emission value a <sub>v</sub>	3 m/s <sup>2</sup>
Uncertainty K	1.5 m/s <sup>2</sup>

The vibration emission level given in this information sheet has been measured in accordance with a standardised test given in EN 60745 and may be used to compare one tool with another. It may be used for a preliminary assessment of exposure.

The declared vibration emission level represents the main applications of the tool. However if the tool is used for different applications, with different accessories or poorly maintained, the vibration emission may differ. This may significantly increase the exposure level over the total working period.

An estimation of the level of exposure to vibration should also take into account the times when the tool is switched off or when it is running but not actually doing the job. This may significantly reduce the exposure level over the total working period.

Maintain the power tool and the accessories and keep your hands warm during operation to reduce the harmful effect of vibrations.

Dust from material such as paint containing lead, some wood species, minerals and metal may be harmful. Contact with or inhalation of the dust may cause allergic reactions and/or respiratory diseases to the operator or bystanders.

Certain kinds of dust are classified as carcinogenic such as oak and beech dust especially in conjunction with additives for wood conditioning (chromate, wood preservative). Material containing asbestos must only be treated by specialists.

- Where the use of a dust extraction device is possible it shall be used.
- To achieve a high level of dust collection, use vacuum cleaner for wood or for wood and/or minerals together with this tool.
- The work place must be well ventilated.
- The use of a dust mask of filter class P2 is recommended.

Follow national requirements for the materials you want to work with.

# III - General power tool safety warnings



**WARNING!** Read all safety warnings and all instructions. Failure to follow the warnings and instructions may result in electric shock, fire and/or serious injury.

Save all warnings and instructions for future reference.

The term "power tool" in the warnings refers to your mains-operated (corded) power tool or battery-operated (cordless) power tool.

## 1. WORK AREA SAFETY

- a) Keep work area clean and well lit. Cluttered or dark areas invite accidents.
- b) Do not operate power tools in explosive atmospheres, such as in the presence of flammable liquids, gases or dust. Power tools create sparks which may ignite the dust or fumes.
- c) Keep children and bystanders away while operating a power tool. Distractions can cause you to lose control.

## 2. ELECTRICAL SAFETY

- a) Power tool plugs must match the outlet. Never modify the plug in any way. Do not use any adapter plugs with earthed (grounded) power tools. Unmodified plugs and matching outlets will reduce risk of electric shock.
- b) Avoid body contact with earthed or grounded surfaces, such as pipes, radiators, ranges and refrigerators. There is an increased risk of electric shock if your body is earthed or grounded.
- c) Do not expose power tools to rain or wet conditions. Water entering a power tool will increase the risk of electric shock.
- d) Do not abuse the cord. Never use the cord for carrying, pulling or unplugging the power tool. Keep cord away from heat, oil, sharp edges or moving parts. Damaged or entangled cords increase the risk of electric shock.
- e) When operating a power tool outdoors, use an extension cord suitable for outdoor use. Use of a cord suitable for outdoor use reduces the risk of electric shock.
- f) If operating a power tool in a damp location is unavoidable, use a residual current device (RCD) protected supply. Use of an RCD reduces the risk of electric shock.

## 3. PERSONAL SAFETY

- a) Stay alert, watch what you are doing and use common sense when operating a power tool. Do not use a power tool while you are tired or under the influence of drugs, alcohol or medication. A moment of inattention while operating power tools may result in serious personal injury.
- b) Use personal protective equipment. Always wear eye protection. Protective equipment such as dust

mask, non-skid safety shoes, hard hat, or hearing protection used for appropriate conditions will reduce personal injuries.

- c) Prevent unintentional starting. Ensure the switch is in the off-position before connecting to power source and/or battery pack, picking up or carrying the tool. Carrying power tools with your finger on the switch or energising power tools that have the switch on invites accidents.
- d) Remove any adjusting key or wrench before turning the power tool on. A wrench or a key left attached to a rotating part of the power tool may result in personal injury.
- e) Do not overreach. Keep proper footing and balance at all times. This enables better control of the power tool in unexpected situations.
- f) Dress properly. Do not wear loose clothing or jewellery. Keep your hair, clothing and gloves away from moving parts. Loose clothes, jewellery or long hair can be caught in moving parts.
- g) If devices are provided for the connection of dust extraction and collection facilities, ensure these are connected and properly used. Use of dust collection can reduce dust-related hazards.

## 4. POWER TOOL USE AND CARE

- a) Do not force the power tool. Use the correct power tool for your application. The correct power tool will do the job better and safer at the rate for which it was designed.
- b) Do not use the power tool if the switch does not turn it on and off. Any power tool that cannot be controlled with the switch is dangerous and must be repaired.
- c) Disconnect the plug from the power source and/or the battery pack from the power tool before making any adjustments, changing accessories, or storing power tools. Such preventive safety measures reduce the risk of starting the power tool accidentally.
- d) Store idle power tools out of the reach of children and do not allow persons unfamiliar with the power tool or these instructions to operate the power tool. Power tools are dangerous in the hands of untrained users.
- e) Maintain power tools. Check for misalignment or binding of moving parts, breakage of parts and any other condition that may affect the power tool's operation. If damaged, have the power tool repaired before use. Many accidents are caused by poorly maintained power tools.
- f) Keep cutting tools sharp and clean. Properly maintained cutting tools with sharp cutting edges are less likely to bind and are easier to control.
- g) Use the power tool, accessories and tool bits etc. in accordance with these instructions, taking into account the working conditions and the work to be performed. Use of the power tool for operations different from those intended could result in a hazardous situation.

## 5. SERVICE

- a) Have your power tool serviced by a qualified

repair person using only identical replacement parts. This will ensure that the safety of the power tool is maintained.

## IV - Additional safety rules for electric planers

- **Wait for the cutter to stop before setting the tool down.** *An exposed rotating cutter may engage the surface leading to possible loss of control and serious injury.*
- **Hold power tool by insulated gripping surfaces only, when performing an operation where the cutting accessory may contact hidden wiring or its own cord.** *Cutting accessory contacting a "live" wire may make exposed metal parts of the power tool "live" and could give the operator an electric shock.*
- **Use clamps or another practical way to secure and support the workpiece to a stable platform.** *Holding the work by your hand or against the body leaves it unstable and may lead to loss of control.*
- Always wear eye and ear protection and use a dust mask.
- Fully unwind cable drum extensions to avoid potential overheating.
- When an extension cable is required, you must ensure that it has the right ampere rating for your power tool and is in safe electrical condition.
- After long working periods, external metal parts and accessories could be hot.
- Always switch off before you put the planer down.
- Do not force the planer: let the tool do the work at a reasonable speed. Overloading will occur if too much pressure is applied and the motor slows resulting in inefficient planing and possible damage to the planer motor.
- Always use a dust extraction system where possible.
- Rags, cloths, cord, string and the like should never be left around the work area.
- Remove all nails, screws and other objects from the workpiece. You can damage the blade and the tool by cutting into a nail or other foreign object. It can also present a safety hazard.
- Handle the blades very carefully.
- Be sure that the blade installation bolts are securely tightened before operation.
- Hold the tool firmly with both hands.
- Keep hands away from rotating parts.
- Before using the tool on an actual workpiece, switch on and let it run for a while. Watch for vibration or wobbling that could indicate poor installation or a poorly balanced blade.
- Make sure that a blade is not in contact with the workpiece when you switch the machine on.
- Wait until the blades attain full speed before cutting.
- Operate the tool at least 200 mm away from your face and body.
- Always switch off and wait until the blades have come to a complete standstill before attempting any adjustments
- Never stick your finger into the chip chute. Shavings may jam in the chute when cutting damp wood. Clean

out the chips with a stick but only when the tool has been turned off and unplugged from the power point.

- Do not leave the machine running unattended. Operate the tool only when controlled by both hands.
- When leaving the planer, switch off and set it with the front base up on a wooden block so that the blades are not in contact with anything.
- Always change both blades at the same time, otherwise the resulting imbalance will cause vibration and shorten the blade and tool life.



**WARNING:** Before connecting a tool to a power source (mains socket power point receptacle, outlet, etc.) be sure that the voltage supply is the same as that specified on the nameplate of the tool. A power source with a voltage greater than that specified for the tool can result in serious injury to the user, as well as damage to the tool.

- If in doubt, do not plug in the tool. Using a power source with a voltage less than the nameplate rating is harmful to the motor.
- The tool must be used only for its prescribed purpose. Any use other than those mentioned in this Manual will be considered a case of misuse. The user and not the manufacturer shall be liable for any damage or injury resulting from such cases of misuse.
- To use this tool properly, you must observe the safety regulations, the assembly instructions and the operating instructions to be found in this Manual. All persons who use and service the machine have to be acquainted with this Manual and must be informed about its potential hazards. Children and frail people must not use this tool. Children should be supervised at all times if they are in the area in which the tool is being used. It is also imperative that you observe the accident prevention regulations in force in your area. The same applies for general rules of occupational health and safety.
- The manufacturer shall not be liable for any changes made to the tool nor for any damage resulting from such changes.

Even when the tool is used as prescribed it is not possible to eliminate all residual risk factors. The following hazards may arise in connection with the tool's construction and design:

- Damage to hearing if effective hearing protection is not worn.
- Always remove the plug from the mains socket before making any adjustments or maintenance, including changing the blades and adjusting the depth of cut.
- Contact with the blades.
- Reaching under the base whilst the tool is running and making contact with the blade.
- Kickback of workpiece and parts of workpiece.
- Blade fracture.
- Catapulting of faulty pieces from the blade.
- SPARKY power tools must not be used outdoors in rainy weather, or in moist environment (after rain) or in close vicinity with easily flammable liquids and gases. The working place should be well lit.

## V - Know your product

Before using the power tool, familiarize yourself with all the operating features and safety requirements. Use the tool and accessories only for the applications intended. All other applications are expressly ruled out.

1. Movable front base
2. Depth adjustment knob
3. Dust extraction port
4. ON/OFF trigger switch
5. Lock-off button
6. Handle
7. Integral spanner storage
8. Drive belt cover
9. Blade spanner
10. Dust bag
11. Blade barrel
12. Reversible blade
13. Clamping bolt
14. Pawl

## VI - Operation

This model SPARKY power tool is supplied from single-phase alternating current mains. It is double insulated according to EN 60745, IEC 60745 and can be connected to grounded or not grounded sockets. This power tool is radio suppressed in compliance with EMC Directive 2004/108/EC.

### PRIOR TO INITIAL OPERATION

- Make sure power supply voltage corresponds to the value indicated on the name plate with technical data of the tool.
- Make sure the cord and the plug are in order. If the replacement of the supply cord is necessary, this has to be done by the manufacturer or his agent in order to avoid a safety hazard.

### ADJUSTING THE PLANING DEPTH



**WARNING:** Always ensure that the tool is switched off and unplugged from the power supply before making adjustments, installing or removing blades.

1. Rotate the depth adjustment knob (2) clockwise for a shallower cut and anti-clockwise for a deeper cut. (Fig.1)
2. The numbers on the ring under the depth adjustment knob indicate the depth of cut.
3. If it is necessary to accurately determine the depth of cut, plane a scrap piece of wood, measure the difference in thickness and adjust the setting if necessary.



**WARNING:** Always ensure that the number on the ring is at the "0" position when the tool is not in use; at this position, the blade can not cut the work-piece.

## REMOVING AND INSTALLING PLANER BLADES



**WARNING:** Always ensure that the tool is switched off and unplugged from the power supply before installing or removing blades.

Your planer is fitted with reversible blades. Blades can be reversed when blunt. After both sides of the blades have been used they should be discarded.

**NOTE:** These blades cannot be re-sharpened.

### REMOVING A PLANER BLADE



**WARNING:** The blades are very sharp. Take care when handling them.

1. Using the supplied spanner (9), loosen the three clamping bolts (13).
2. Remove the planer blade (13) and the blade support from the holding shaft. (Fig.2)

### INSTALLING A PLANER BLADE

1. Either turn over the planer blade (13) or replace it if required.
2. Take the new blade and position it between the blade support block and the blade holder.

**NOTE:** The ridge along the blade should be on the blade face on the opposite side to the clamping bolts (13).

3. Tighten the clamping bolts (13), ensuring they are tightened evenly. First tighten the two outside clamping bolts, and then tighten the middle bolt.
4. Repeat for the remaining blade.

**NOTE:** Always change both blades at the same time, otherwise the resulting imbalance can cause vibration and shorten the blade and tool life.



**WARNING:** When installing blades, first clean out all chips or foreign matter adhering to the blade barrel (11) and the blades themselves. Use blades of the same dimensions and weight, or the barrel will oscillate and vibrate causing poor planing action and possibly a machine breakdown. Tighten the clamping bolts (13) carefully when attaching the blades to the planer. A loose clamping bolt could be extremely dangerous. Regularly check to see if they are tightened securely.





**WARNING:** The planer is designed so that the blades are correctly aligned if placed flush into the barrel slots and tightened correctly. When inserting new blades it is essential that they sit square in their slot, that they are fully inserted and that the cutting edges are absolutely level, i.e. parallel to the surface of the rear base. Only when all these conditions are satisfied should the clamping bolts be tightened. If the blades protrude or are not square, they could hit the casing with serious risk to the operator and others in the vicinity. Blade must be positioned centrally on the barrel.

**NOTE:** Your planing surface will end up rough and uneven unless the blades are set and secured properly.

The examples show proper and improper settings:

- **Clean smooth cut:** (Fig.3)
- **Nicks in surface** – as caused by the edge of one or both blades not being parallel to the rear base line. (Fig.4)
- **Gouging at start** – as caused by the edge of one or both blades not protruding enough in relation to the rear base line. (Fig.5)
- **Gouging at end** – as caused by the edge of one or both blades protruding too far in relation to the rear base line. (Fig.6)

**NOTE:**

- (a) front base (movable shoe)
- (b) rear base (stationary shoe)



**WARNING:** The two red painted Allen screws are secured with adhesive, they must not be adjusted. The position of these screws may be altered by the manufacturer only!

## SWITCHING ON AND OFF



**WARNING:** Before plugging the machine into the power point always check that the trigger switch (4) and lock-off button (5) work properly. Before switching on ensure that the blade barrel is not in contact with any surface.

1. Plug in the machine, push in the lock-off button (5) and pull the trigger switch (4). (Fig.8)
2. To stop the tool, simply release the trigger switch (4).
3. In order to restart the machine, it is necessary to operate both the lock-off button (5) and the trigger switch (4). This is an important safety feature that helps prevent accidental operation of the planer. (Fig.9)



**WARNING:** Please note that that the planer blades continue to spin for some time after switching off the planer. Wait until the motor has completely stopped before setting down the tool to prevent damage to the planer blades or the surface.

## PLANING

1. Rest the front base (1) flat on the workpiece surface without the blades making any contact with the workpiece.
2. Switch on the tool and wait for the blades to reach full speed.
3. Move the tool gently forward, applying pressure on the tool.
4. Push the planer beyond the edge of the workpiece without tilting it downwards.
5. The rate of planing and the depth of cut determine the quality of the finish. For rough cutting, you can increase the depth of cut, however to achieve a good finish you will need to reduce the depth of cut and advance the tool more slowly.

**NOTE:** Planing is easier if you incline the workpiece slightly away from you so that you plane "downhill".



**WARNING:** Moving the machine too fast may cause a poor quality of cut and can damage the blades or the motor. Moving the machine too slowly may burn or mar the cut.

The proper feed rate will depend on the type of material being cut and the depth of the cut.

Practice first on a scrap piece of material to gauge the correct feed rate and the cut dimensions.



**WARNING:** Clamp the workpiece to the bench.

## CHAMFERING (Fig. 10)

The V-grooves in the front base (1) allow quick and easy chamfering of workpiece edges. Depending on required chamfered width, place the planer with the corresponding V-groove onto the edge of the workpiece and guide along the edge.

## SHAVINGS EXTRACTION

1. Connect the dust bag (10) to the appropriate dust/chip extraction port (3).
2. A workshop dust extraction system or a household vacuum cleaner can be connected to the port (3) for the efficient removal of dust and shavings permitting a safer and cleaner working environment.

## DRIVE BELT REPLACEMENT



**WARNING:** Always ensure that the tool is switched off and unplugged from the power supply before making adjustments, installing or removing blades.

1. To replace the drive belt first take out the three cross-head screws that secure the drive belt cover (8) on the left-hand side of the planer as viewed from the rear).

2. Remove the damaged belt and use a soft brush to clean the pulleys and the surrounding area.

**NOTE:** Wear eye protection when cleaning out the pulley area.

3. The three continuous ▲ profiles on the belt inner side shall coincide with the three "V" grooves in the pulleys. Place the new belt over the bottom pulley. Half fit the other end of the belt on the top pulley then roll the belt in place whilst turning the pulley.
4. Check that the belt runs evenly by manually turning the belt.
5. Replace the cover and the three fixing screws.
6. Plug the machine, switch it on and run the planer for a minute to make sure that the motor and belt operate correctly.

## ACCESSORIES

Set of 2 blades (fitted); dust bag; blade spanner.

## VII - Maintenance



**WARNING:** Always ensure that the tool is switched off and unplugged before attempting to perform inspection or maintenance.

Regularly check that all the fixing screws are tight. They may vibrate loose over time.

Re-lubricate all moving parts at regular intervals.

## GENERAL INSPECTION

When the carbon brushes are worn out, both brushes must be replaced simultaneously with genuine brushes at SPARKY service centre for warranty and post-warranty service.

If the replacement of the supply cord is necessary, this has to be done by the manufacturer or his agent in order to avoid a safety hazard.

## CLEANING

For safe operation always keep the machine and its ventilation slots clean.

Regularly check to see if any dust or foreign matter has entered the grills near the motor and around the switches. Use a soft brush to remove any accumulated dust. Wear safety glasses to protect your eyes whilst cleaning.

If the body of the tool needs cleaning, wipe it with a soft damp cloth. A mild detergent can be used.



**WARNING:** Never use alcohol, petrol or other cleaning agent. Never use caustic agents to clean plastic parts.



**WARNING:** Water must never come into contact with the tool.

**IMPORTANT!** To assure product safety and reliability, repairs, maintenance and adjustment (including brush inspection and replacement) should be performed by certified service centres or other qualified service organisations, always using genuine replacement parts.

## VIII - Warranty

The guarantee period for SPARKY power tools is determined in the guarantee card.

Faults due to normal wear, overloading or improper handling will be excluded from the guarantee.

Faults due to defective materials implemented as well as defects in workmanship will be corrected free of charge through replacement or repair.

The complaints for defective SPARKY power tools will be recognized if the machine is sent back to the dealer or is presented to the authorised warranty service centre undismantled, in its initial condition.

## Notes

Carefully read the entire original instructions before using this product.

The manufacturer reserves the right to make changes and improvements to the products and to alter specifications without prior notice.

Specifications may differ from country to country.

## Inhalt

I - Einführung.....	9
II - Technische Angaben .....	11
III - Allgemeine Sicherheitshinweise für Elektrowerkzeuge.....	12
IV - Zusätzliche Sicherheitsregeln bei Arbeiten mit elektrischen Hobeln .....	13
V - Elemente des Elektrowerkzeugs .....	14
VI - Arbeitsanweisungen.....	14
VII - Wartung.....	17
VIII - Garantie .....	17

### AUSPACKEN

Überprüfen Sie unmittelbar nach dem Auspacken ob sämtliche Bestandteile und das beschriebene Zubehör mitgeliefert wurden. Sollte dies nicht der Fall sein, wenden Sie sich bitte umgehend an Ihren Fachhändler bei dem der Hobel gekauft wurde. Dies trifft auch dann zu, wenn Sie den Eindruck haben mit dem Gerät ist etwas nicht in Ordnung. Eine Nichtbeachtung dieser Empfehlung kann zu schweren Unfällen führen.

### ZUSAMMENBAU

Der Hobel P 160 wird verpackt und gebrauchsfertig montiert geliefert, mit Ausnahme des Staubbeutels.

## I - Einführung

Das von Ihnen erworbene Elektrowerkzeug wird Ihre Erwartungen übersteigen. Es ist gemäß den hohen Qualitätsstandards von SPARKY hergestellt, die den strengen Anforderungen des Verbrauchers entsprechen. Einfach in der Bedienung und ungefährlich bei richtiger Handhabung, wird dieses Gerät bei bestimmungsgemäßem Gebrauch Ihnen lange Jahre zuverlässig dienen.

#### WARNUNG!



Lesen Sie die ganze Bedienungsanleitung aufmerksam durch, bevor Sie das neu erworbene SPARKY – Elektrowerkzeug in Betrieb nehmen. Beachten Sie besonders die Texte, die mit dem Wört „**Warnung**“ beginnen. Ihr SPARKY - Elektrowerkzeug besitzt viele Eigenschaften, die Ihre Arbeit erleichtern werden. Bei der Entwicklung dieses Elektrowerkzeuges ist höchste Aufmerksamkeit der Sicherheit, den Betriebsseigenschaften und der Zuverlässigkeit gewidmet worden, die es einfach zur Wartung und Bedienung machen.



#### Keine elektrischen Geräte zusammen mit dem Hausmüll wegwerfen!

Die Abfälle von elektrischen Erzeugnissen sollen nicht zusammen mit dem Hausmüll gesammelt werden. Für eine umweltgerechte Entsorgung geben Sie Ihre alten / defekten Elektrogeräte bitte in der nächsten kommunalen Sammelstelle ab.



#### UMWELTSCHUTZ

Angesichts des Umweltschutzes sollten das Elektrowerkzeug, die Zubehörteile und die Verpackung einer geeigneten Wiederverwertung zugeführt werden. Zum sortenreinen Recycling sind die Teile, hergestellt aus Kunststoffen, entsprechend gekennzeichnet.

## BEDEUTUNG DER SYMBOLE

Auf dem Typenschild des Elektrowerkzeuges sind spezielle Symbole dargestellt. Sie stellen wichtige Information über das Produkt oder Instruktionen für seine Nutzung dar.



Tragen Sie Antistaubmasken



Tragen Sie Gehörschutz und Sicherheitsbrillen



Doppelte Isolierung für zusätzlichen Schutz



Staubsaugeranschluss



Entspricht den einschlägigen Europäischen Richtlinien



Entspricht den Anforderungen der russischen normativen Dokumente



Entspricht den Anforderungen der ukrainischen normativen Dokumenten



Lesen Sie die Bedienungsanleitung

YYYY-Www

Zeitabschnitt der Produktion, wobei die variablen Symbole sind:  
YYYY - Kalenderjahr der Produktion, ww - laufende Kalenderwoche

P

HOBEL

## II - Technische Angaben

<b>Modell:</b>	<b>P 160</b>
• Nennaufnahme:	450 W
• Leerlaufdrehzahl:	16000 min <sup>-1</sup>
• Spantiefe:	0–1.8 mm
• Hobelbreite:	60 mm
• Gewicht (EPTA Verfahren 01/2003):	1.8 kg
• Schutzklasse (EN 60745) 	II

### Information über laufgeräusche und schwingungen

#### • Geräuschemissionswerte (Messwerte ermittelt entsprechend EN 60745):

A- abgewogener Schalldruckpegel L <sub>PA</sub>	83 dB(A)
Unbestimmtheit K <sub>PA</sub>	3 dB
A- abgewogener Schalldruckpegel L <sub>WA</sub>	94 dB(A)
Unbestimmtheit K <sub>WA</sub>	3 dB



**Gehörschutz tragen!**

#### • Schwingungsemissionswerte (Messwerte ermittelt nach 6.2.7 EN 60 745-1):

*Die Schwingungen wurden entsprechend Punkt 6.2.7 von EN 60745-1 festgelegt*

Messwert der geschaffenen Schwingungen a <sub>1</sub>	3 m/s <sup>2</sup>
Unbestimmtheit K	1.5 m/s <sup>2</sup>

Der in diesen Anweisungen angegebene Schwingungspegel ist entsprechend einem in EN 60745 genormten Messverfahren gemessen worden und kann für den Vergleich von Elektrowerkzeugen miteinander verwendet werden. Er eignet sich auch für eine vorläufige Einschätzung der Schwingungsbelastung.

Der angegebene Schwingungspegel repräsentiert die hauptsächlichen Anwendungen des Elektrowerkzeugs. Wenn allerdings das Elektrowerkzeug für andere Anwendungen, mit abweichenden Einsatzwerkzeugen oder ungenügender Wartung eingesetzt wird, kann der Schwingungspegel abweichen. Dies kann die Schwingungsbelastung über den gesamten Arbeitszeitraum deutlich erhöhen.

Für eine genaue Abschätzung der Schwingungsbelastung sollten auch die Zeiten berücksichtigt werden, in denen das Gerät abgeschaltet ist oder zwar läuft, aber nicht tatsächlich im Einsatz ist. Dies kann die Schwingungsbelastung über den gesamten Arbeitszeitraum deutlich reduzieren.

Pflegen Sie das Gerät und die Einsatzwerkzeuge mit Sorgfalt. Halten Sie Ihre Hände warm während der Arbeit – dies wird die schädliche Einwirkung erhöhter Schwingungen reduzieren.

Stäube von Materialien wie bleihaltigem Anstrich, einigen Holzarten, Mineralien und Metall können gesundheitsschädlich sein. Berühren oder Einatmen der Stäube können allergische Reaktionen und/oder Atemwegserkrankungen des Benutzers oder in der Nähe befindlicher Personen hervorrufen.

Bestimmte Stäube wie Eichen- oder Buchenstaub gelten als krebserzeugend, besonders in Verbindung mit Zusatzstoffen zur Holzbehandlung (Chromat, Holzschutzmittel). Asbesthaltiges Material darf nur von Fachleuten bearbeitet werden.

- Benutzen Sie möglichst eine Staubabsaugung.
- Um bei der Arbeit mit diesem Elektrowerkzeug ein gutes Staubabfangen zu gewährleisten, benutzen Sie einen Staubabsauger, der für Holzstaub oder für Holz- und mineralischen Staub bestimmt ist.
- Sorgen Sie für gute Belüftung des Arbeitsplatzes.
- Es wird empfohlen, eine Atemschutzmaske mit Filterklasse P2 zu tragen.

Beachten Sie in Ihrem Land gültige Vorschriften für die zu bearbeitenden Materialien.

# III - Allgemeine Sicherheitshinweise für Elektrowerkzeuge



**WARNUNG!** Lesen Sie alle Sicherheitshinweise und Anweisungen. Versäumnisse bei der Einhaltung der Sicherheitshinweise und Anweisungen können elektrischen Schlag, Brand und/oder schwere Verletzungen verursachen.

**Bewahren Sie alle Sicherheitshinweise und Anweisungen für die Zukunft auf.**

Der in den Sicherheitshinweisen verwendete Begriff „Elektrowerkzeug“ bezieht sich auf netzbetriebene Elektrowerkzeuge (mit Netzkabel) und auf akkubetriebene Elektrowerkzeuge (ohne Netzkabel).

## 1. ARBEITSPLATZSICHERHEIT

- a) Halten Sie Ihren Arbeitsbereich sauber und gut beleuchtet. Unordnung oder unbeleuchtete Arbeitsbereiche können zu Unfällen führen.
- b) Arbeiten Sie mit dem Elektrowerkzeug nicht in explosionsgefährdeter Umgebung, in der sich brennbare Flüssigkeiten, Gase oder Stäube befinden. Elektrowerkzeuge erzeugen Funken, die den Staub oder die Dämpfe entzünden können.
- c) Halten Sie Kinder und andere Personen während der Benutzung des Elektrowerkzeuges fern. Bei Ablenkung können Sie die Kontrolle über das Gerät verlieren.

## 2. ELEKTRISCHE SICHERHEIT

- a) Der Anschlussstecker des Elektrowerkzeuges muss in die Steckdose passen. Der Stecker darf in keiner Weise verändert werden. Verwenden Sie keine Adapterstecker gemeinsam mit schutzgeerdeten Elektrowerkzeugen. Unveränderte Stecker und passende Steckdosen verringern das Risiko eines elektrischen Schlages.
- b) Vermeiden Sie Körperkontakt mit geerdeten Oberflächen wie von Rohren, Heizungen, Herden und Kühlschränken. Es besteht ein erhöhtes Risiko durch elektrischen Schlag, wenn Ihr Körper geerdet ist.
- c) Halten Sie Elektrowerkzeuge von Regen oder Nässe fern. Das Eindringen von Wasser in ein Elektrowerkzeug erhöht das Risiko eines elektrischen Schlages.
- d) Zweckfremden Sie das Kabel nicht, um das Elektrowerkzeug zu tragen, aufzuhängen oder um den Stecker aus der Steckdose zu ziehen. Halten Sie das Kabel fern von Hitze, Öl, scharfen Kanten oder sich bewegenden Geräteteilen. Beschädigte oder verwickelte Kabel erhöhen das Risiko eines elektrischen Schlages.
- e) Wenn Sie mit einem Elektrowerkzeug im Freien arbeiten, verwenden Sie nur Verlängerungskabel, die auch für den Außenbereich geeignet sind. Die Anwendung eines für den Außenbereich geeigneten

Verlängerungskabels verringert das Risiko eines elektrischen Schlages.

- f) Wenn der Betrieb des Elektrowerkzeuges in feuchter Umgebung nicht vermeidbar ist, verwenden Sie einen Fehlerstromschutzschalter. Der Einsatz eines Fehlerstromschutzschalters vermindert das Risiko eines elektrischen Schlages.

## 3. SICHERHEIT VON PERSONEN

- a) Seien Sie aufmerksam, achten Sie darauf, was Sie tun, und gehen Sie mit Vernunft an die Arbeit mit einem Elektrowerkzeug. Benutzen Sie kein Elektrowerkzeug, wenn Sie müde sind oder unter dem Einfluss von Drogen, Alkohol oder Medikamenten stehen. Ein Moment der Unachtsamkeit beim Gebrauch des Elektrowerkzeuges kann zu ernsthaften Verletzungen führen.
  - b) Tragen Sie persönliche Schutzausrüstung und immer eine Schutzbrille. Das Tragen persönlicher Schutzausrüstung, wie Staubmaske, rutschfeste Sicherheitsschuhe, Schutzhelm oder Gehörschutz, je nach Art und Einsatz des Elektrowerkzeuges, verringert das Risiko von Verletzungen.
  - c) Vermeiden Sie eine unbeabsichtigte Inbetriebnahme. Vergewissern Sie sich, dass das Elektrowerkzeug ausgeschaltet ist, bevor Sie es an die Stromversorgung und/oder den Akku anschließen, es aufnehmen oder tragen. Wenn Sie beim Tragen des Elektrowerkzeuges den Finger am Schalter haben oder das Gerät eingeschaltet an die Stromversorgung anschließen, kann dies zu Unfällen führen.
  - d) Entfernen Sie Einstellwerkzeuge oder Schraubenschlüssel, bevor Sie das Elektrowerkzeug einschalten. Ein Werkzeug oder Schlüssel, der sich in einem drehenden Geräteteil befindet, kann zu Verletzungen führen.
  - e) Vermeiden Sie eine abnormale Körperhaltung. Sorgen Sie für einen sicheren Stand und halten Sie jederzeit das Gleichgewicht. Dadurch können Sie das Elektrowerkzeug in unerwarteten Situationen besser kontrollieren.
  - f) Tragen Sie geeignete Kleidung. Tragen Sie keine weite Kleidung oder Schmuck. Halten Sie Haare, Kleidung und Handschuhe fern von sich bewegenden Teilen. Lockere Kleidung, Schmuck oder lange Haare können von sich bewegenden Teilen erfasst werden.
  - g) Wenn Staubabsaug- und -auffangeinrichtungen montiert werden können, vergewissern Sie sich, dass diese angeschlossen sind und richtig verwendet werden. Verwendung einer Staubabsaugung kann Gefährdungen durch Staub verringern.
- ## 4. VERWENDUNG UND BEHANDLUNG DES ELEKTROWERKZEUGES
- a) Überlasten Sie das Gerät nicht. Verwenden Sie für Ihre Arbeit das dafür bestimmte Elektrowerkzeug. Mit dem passenden Elektrowerkzeug arbeiten Sie besser und sicherer im angegebenen Leistungsbereich.
  - b) Benutzen Sie kein Elektrowerkzeug, dessen Schalter defekt ist. Ein Elektrowerkzeug, das sich

nicht mehr ein- oder ausschalten lässt, ist gefährlich und muss repariert werden.

- c) Ziehen Sie den Stecker aus der Steckdose und/ oder entfernen Sie den Akku, bevor Sie Geräteeinstellungen vornehmen, Zubehörteile wechseln oder das Gerät weglegen. Diese Vorsichtsmaßnahme verhindert den unbeabsichtigten Start des Elektrowerkzeuges.
- d) Bewahren Sie unbenutzte Elektrowerkzeuge außerhalb der Reichweite von Kindern auf. Lassen Sie Personen das Gerät nicht benutzen, die mit diesem nicht vertraut sind oder diese Anweisungen nicht gelesen haben. Elektrowerkzeuge sind gefährlich, wenn Sie von unerfahrenen Personen benutzt werden.
- e) Pflegen Sie Elektrowerkzeuge mit Sorgfalt. Kontrollieren Sie, ob bewegliche Teile einwandfrei funktionieren und nicht klemmen, ob Teile gebrochen oder so beschädigt sind, dass die Funktion des Elektrowerkzeuges beeinträchtigt ist. Lassen Sie beschädigte Teile vor dem Einsatz des Gerätes reparieren. Viele Unfälle haben ihre Ursache in schlecht gewarteten Elektrowerkzeugen.
- f) Halten Sie Schneidwerkzeuge scharf und sauber. Sorgfältig gepflegte Schneidwerkzeuge mit scharfen Schneidkanten verklemmen sich weniger und sind leichter zu führen.
- g) Verwenden Sie Elektrowerkzeug, Zubehör, Einsatzwerkzeuge usw. entsprechend diesen Anweisungen. Berücksichtigen Sie dabei die Arbeitsbedingungen und die auszuführende Tätigkeit. Der Gebrauch von Elektrowerkzeugen für andere als die vorgesehenen Anwendungen kann zu gefährlichen Situationen führen.

## 5. SERVICE

- a) Lassen Sie Ihr Elektrowerkzeug nur von qualifiziertem Fachpersonal und nur mit Original-Ersatzteilen reparieren. Damit wird sichergestellt, dass die Sicherheit des Elektrowerkzeuges erhalten bleibt.

## IV - Zusätzliche Sicherheitsregeln bei Arbeiten mit elektrischen Hobeln

- Bevor Sie das Elektrowerkzeug beiseite legen, warten Sie ab bis die Messertrommel gestoppt ist. Der offen liegende schneidende Drehteil des Hobels kann eine Oberfläche einschneiden, wodurch ein Kontrollverlust und ein ernsthafter Unfall entstehen können.
- Das Elektrowerkzeug nur an den isolierten Griffflächen halten um einen Stromschlag zu vermeiden falls zufällig die Schneidmesser des Hobels während der Arbeit das Versorgungskabel beschädigen. Elektrischer Strom kann vom Kabelschnitt über Metallgehäuseteile und Hand durch den Körper des Bedieners fließen und somit einen Strom-

schlag verursachen.

- Das zu bearbeitende Material mit Klemmen oder anderen geeigneten Mitteln an einer stabilen Grundlage befestigen. Die Haltung des Materials mit der Hand oder an den Körper gepresst ist nicht ausreichend und kann zum Verlust der Kontrolle führen.
- Tragen Sie stets Schutzbrille und Gehörschutz und verwenden Sie eine Staubmaske.
- Um eine eventuelle Überhitzung zu vermeiden, drehen Sie das verwendete Verlängerungskabel ganz von der Kabeltrommel.
- Falls die Verwendung einer Verlängerungsleitung erforderlich ist, stellen Sie sicher, dass ihr Querschnitt dem Nennstrom und dem verwendeten Elektrowerkzeug entspricht, sowie auch dass die Verlängerung in Ordnung ist.
- Nach längerem Betrieb können sich die Aussenmetallteile und Zubehörteile erwärmen.
- Schalten Sie das Elektrowerkzeug immer aus und lassen Sie es vollständig zum Stillstand kommen, bevor Sie es beiseite legen.
- Überlasten Sie das Elektrowerkzeug nicht – lassen Sie es mit einer vernünftigen Geschwindigkeit arbeiten. Ein Überlasten entsteht bei einem zu starken Druck, wobei der Elektromotor sich langsamer zu drehen beginnt. Als Ergebnis davon sinkt die Effektivität und eine Beschädigung des Elektromotors ist wahrscheinlich.
- Entfernen Sie Lappen, Schnüre, Bindfäden oder ähnliches Material welches sich um die Hobelmesser wickeln kann aus der Arbeitszone.
- Entfernen Sie vor dem Arbeitsbeginn alle Nägel, Schrauben und anderen Fremdkörper aus dem Fertigungsteil. Beim Einschneiden in einen Nagel oder einen anderen Metallkörper können Sie die Messer und das Elektrowerkzeug beschädigen, was eine Voraussetzung für einen Arbeitsunfall ist.
- Seien Sie außerordentlich vorsichtig, wenn Sie die Messer greifen.
- Vor dem Arbeitsbeginn überzeugen Sie sich, dass die Schrauben zum Befestigen der Messer gut festgezogen sind.
- Schützen Sie Ihre Hände vor beweglichen Teilen.
- Bevor Sie die Arbeit mit dem Elektrowerkzeug beginnen, lassen Sie es eine gewisse Zeit im Leerlauf drehen. Beobachten Sie ob es Schwingungen gibt, was ein Merkmal für schlechte Montage oder für nicht gut ausbalancierte Messer ist.
- Wenn Sie das Elektrowerkzeug einschalten, überzeugen Sie sich, dass kein Messer in Kontakt mit der zu bearbeitenden Oberfläche steht.
- Warten Sie einen Moment bis die Messer ihre volle Drehzahl erreicht haben, und beginnen Sie erst dann mit dem Hobeln.
- Halten Sie bei der Arbeit immer einen Mindestabstand von 20 cm des Gerät zum Gesicht und zum Körper ein.
- Schalten Sie das Gerät immer aus und warten Sie bis die Messertrommeln vollständig zum Stillstand gekommen sind bevor Sie Einstellungsarbeiten am Gerät vornehmen.
- Legen Sie ihre Finger niemals in die Spanabführung. Sie können sich in der Nut verklemmen, wenn Sie

feuchtes Holzmaterial schneiden. Putzen Sie die Späne mit einem Stab, jedoch nur wenn die Maschine ausgeschaltet ist und wenn der Stecker aus der Steckdose gezogen ist.

- Lassen Sie das Elektrowerkzeug nicht ohne Aufsicht arbeiten.
- Wenn Sie den Hobel weglegen, schalten Sie ihn aus und stützen Sie seine Rückseite auf dem Zapfen (18), so dass die Messer nichts berühren.
- Wechseln Sie immer die beide Messer gleichzeitig, andernfalls wird das entstandene Ungleichgewicht zu einer Instabilität führen und wird die Standzeit der Messer und die Lebensdauer des Elektrowerkzeuges selbst verkürzen.



**WARNUNG:** Bevor Sie das Elektrowerkzeug ans Stromnetz anschliessen, stellen Sie sicher, dass die Spannung der Spannung, angegeben auf dem Geräteschild, entspricht. Eine Spannung, die höher als die Nennspannung ist, kann zu ernstesten Verletzungen führen, sowie auch Schäden am Elektrowerkzeug verursachen.

- Falls Sie nicht sicher sind, wie hoch die Netzspannung ist, schalten Sie das Elektrowerkzeug nicht ein.
- Falls die Spannung niedriger als die Nennspannung ist, wird der Motor beschädigt.
- Das Elektrowerkzeug soll nur bestimmungsgemäss verwendet werden. Jeder anderer Gebrauch, anders als der Gebrauch, beschrieben in dieser Instruktion, gilt als nicht bestimmungsgemäss. Die Verantwortung für jede Schädigung oder Verletzung, verursacht durch falschen Gebrauch, trägt der Betreiber und nicht der Hersteller.
- Um dieses Elektrowerkzeug richtig zu betreiben, sollten Sie die Sicherheitsregeln, die allgemeinen Instruktionen und die Betriebsanweisungen, die hier angegeben sind, beachten. Alle Betreiber sollten sich mit dieser Betriebsanweisung bekanntmachen und über die potenziellen Risiken bei der Arbeit mit dem Elektrowerkzeug informiert sein. Kinder und körperlich schwache Personen dürfen das Elektrowerkzeug nicht benutzen. Kinder sollten ständig kontrolliert werden, falls sie sich in der Nähe des Ortes, wo mit dem Elektrowerkzeug gearbeitet wird, befinden. Unbedingt sollten auch präventive Sicherheitsmassnahmen getroffen werden. Das gleiche gilt auch für die Einhaltung der Grundregeln für Berufsgesundheit und Sicherheit. Der Hersteller übernimmt keine Verantwortung für von dem Betreiber vorgenommenen Änderungen des Elektrowerkzeuges oder für Schäden, verursacht durch solche Änderungen.

Sogar dann, wenn das Elektrowerkzeug bestimmungsgemäss verwendet wird, ist es unmöglich, alle Restrisikofaktoren zu eliminieren. Die nachfolgend angegebenen Gefahren können in Zusammenhang mit den konstruktiven Besonderheiten und dem Design des Elektrowerkzeuges entstehen.

- Gehörprobleme, wenn keine effektiven Schutzmassnahmen getroffen werden.
- Ziehen Sie immer den Stecker aus der Steckdose,

bevor Sie das Elektrowerkzeug reparieren oder einstellen, auch wenn Sie die Hobelmesser wechseln oder die Spantiefe einstellen.

- Berührung der Hobelmesser.
- Eindringen in der Arbeitszone unter der Grundplatte bei betriebener Maschine.
- Zurückspringen des Werkstoffes oder Teile davon.
- Hobelmesserbruch.
- Zerfliegen der Teile eines beschädigten Hobelmessers.
- Das Elektrowerkzeug nicht im Freien beim Regenwetter, in nasser Umgebung (nach Regen) oder in der Nähe von leicht brennbaren Flüssigkeiten und Gasen verwenden. Der Arbeitsplatz soll gut beleuchtet sein.

## V - Elemente des Elektrowerkzeugs

Vor dem Beginn der Arbeit mit dem Hobel machen Sie sich mit allen operativen Besonderheiten und Sicherheitsbedingungen bekannt. Benutzen Sie das Elektrowerkzeug und seine Zubehörteile nur bestimmungsgemäss. Jede andere Verwendung ist streng verboten.

1. Bewegliche vordere Grundplatte
2. Regler zum Einstellen der Hobeltiefe
3. Staubsaugeranschluss
4. Schalter
5. Lock-Taste des Schalters
6. Handgriff
7. Aufbewahrungsort des Schraubenschlüssels
8. Deckel des Antriebsriemens
9. Schraubenschlüssel
10. Staubbeutel
11. Messertrommel
12. Zweiseitig geschärfte Messer
13. Befestigungsschraube
14. Zapfen

## VI - Arbeitsanweisungen

Dieses Elektrowerkzeug wird mit einphasigem Wechselstrom versorgt. Es hat eine doppelte Isolation gemäß der EN 60745-1 und der IEC 60745, und kann an Steckdosen ohne Schutzklemmen angeschlossen werden. Die Rundfunkstörungen entsprechen der Richtlinie über die elektromagnetische Verträglichkeit 2004/108/EC.

### BEVOR SIE MIT DER ARBEIT BEGINNEN

- Überprüfen Sie ob die Netzspannung der Spannung, angegeben auf dem Typenschild des Elektrowerkzeuges entspricht.
- Überzeugen Sie sich in der Unversehrtheit des Netzkabels und des Steckers. Falls das Netzkabel beschädigt ist, sollte sein Austausch nur vom Hersteller oder von einem Servicefachmann vorgenommen werden



## EINSTELLEN DER HOBELTIEFE

**! WARNUNG:** Überzeugen Sie sich, dass das Elektrowerkzeug ausgeschaltet ist, und dass der Stecker aus der Steckdose gezogen ist, bevor Sie Einstellungen ändern oder die Messer des Hobels wechseln.

1. Zum tieferen Hobeln drehen Sie den Regler zum Einstellen der Hobeltiefe (2) im Uhrzeigersinn, und zu einem weniger tiefen Hobeln – gegen den Uhrzeigersinn (Abb.1).
2. Die Zahlen auf der Skala des Reglers zum Einstellen der Tiefe des Hobelns geben an, in welchem Grad Sie den Hobel eingestellt haben.
3. Falls es erforderlich ist, Sie die Hobelstiefe genau zu bestimmen, bearbeiten Sie ein unnötiges Stück Holz, messen Sie die Differenzen in der Dicke und, machen sie eine wiederholte Einstellung wenn es notwendig ist.

**! WARNUNG:** Wenn der Hobel nicht benutzt wird, überzeugen Sie sich, dass der Regler in Position "0" gestellt ist. In dieser Position kann das Messer nicht ins bearbeitende Werkstück einschneiden.

## MONTAGE UND DEMONTAGE DER HOBELMESSER

**! WARNUNG:** Überzeugen Sie sich, dass das Elektrowerkzeug ausgeschaltet ist und ziehen Sie den Stecker aus der Steckdose bevor Sie die Messer montieren oder demontieren werden.

Der Hobel ist mit beidseitig geschärften Messern versehen. Die Messer können umgedreht werden, wenn sie auf einer Seite stumpf geworden sind. Wenn die beiden Seiten der Messer verschlissen sind, muss man die Messer wechseln.

**BEMERKUNG:** Die Messer können nicht nachträglich geschärft werden.

### DEMONTAGE EINES MESSERS

**! WARNUNG:** Die Messer sind sehr scharf. Seien Sie außerordentlich vorsichtig, wenn Sie die Messer greifen.

1. Lockern Sie die drei Befestigungsschrauben (13) mittels des Schraubenschlüssels (9).
2. Lassen Sie das Messer (12) vom Schlitz zum Zylinder (11), in dem es sich befindet, gleiten (Abb.2).

### MONTAGE EINES MESSERS

1. Drehen Sie das Messer (12) um oder wechseln Sie es durch ein neues, falls dieses verschlissen ist.

2. Nehmen Sie das neue Messer und stellen Sie es zwischen den Träger und Halter.

**BEMERKUNG:** Die Kante entlang des Messers muss mit ihrer vorderen Seite zur Rückseite der Befestigung (13) gerichtet sein.

3. Ziehen Sie gleichmäßig die Schrauben (13) fest. Zuerst ziehen Sie die beiden äußerst gelegenen Schrauben und am Ende – die Schraube in der Mitte fest.
4. Wiederholen Sie die Vorgehensweise auch für das andere Messer.

**BEMERKUNG:** Wenn die Messer verschlissen sind, muss man den Satz von zwei Messern wechseln, damit das Ungleichgewicht, gefährliche Schwingungen des Elektrowerkzeugs vermieden werden können.

**! WARNUNG:** Wenn Sie die Messer entfernen, entfernen Sie zuerst die am Zylinder klebenden Späne (11) und an den Messern selbst. Benutzen Sie Messer mit der gleichen Größe und dem gleichen Gewicht wie die originalen, da der Zylinder sonst schwingen bzw. vibrieren wird. Das wird zu einem nicht qualitativen Hobeln und zu einer wahrscheinlichen Beschädigung der Maschine führen. Ziehen Sie sorgfältig die Schrauben (13) fest, wenn Sie die Hobelmesser befestigen. Der Verlust einer Befestigungsschraube ist außerordentlich gefährlich. Überprüfen Sie daher regelmäßig ob die Schrauben gut festgezogen sind.

**! WARNUNG:** Der Hobel ist mit gut funktionierenden und ausbalancierten Messern die passend in ihren Haltevorrichtungen sitzen konstruiert. Wenn Sie neue Messer montieren, ist es sehr wichtig, das sie im rechten Winkel bis zum Ende in ihren Haltevorrichtungen stecken und ihre schneidenden Kanten ideal ausgeglichen sind, das heißt sie sollen parallel gegenüber der Oberfläche der hinteren Grundplatte liegen. Erst wenn alle diese Bedingungen erfüllt sind, ist es zulässig, die Schrauben festzuziehen. Wenn die Messer nach außen emporragen oder nicht im rechten Winkel liegen, ist es möglich, dass sie in der Trommel schleifen und eine ernsthafte Gefahr für den Benutzer und Nebenpersonen entsteht. Das Messer muss zentriert in der Trommel sein.

**BEMERKUNG:** Wenn die Messer nicht gut festgezogen gelegt sind, wird die bearbeitende Oberfläche rau und uneben sein.

Die gegebenen Beispiele illustrieren das richtige und das nicht richtige Montieren:

- **Reines Hobeln** (Abb.3)
- **Unebenheiten auf der Oberfläche** – wenn die Kante eines Messers oder aller Messer nicht parallel gegenüber der hinteren Grundplatte ist (Abb.4).
- **Vertiefungen am Anfang** – wenn die Kante eines Messers oder aller Messer nicht ausreichend gegenüber der hinteren Grundplatte heraustritt (Abb.5).

- **Vertiefungen am Ende** – wenn die Kante eines Messers oder aller Messer zu sehr gegenüber der hinteren Grundplatte heraustritt (Abb. 6).

#### **BEMERKUNG:**

- (a) Vordere Grundplatte (beweglicher Teil)
- (b) Hintere Grundplatte (unbeweglicher Teil)



**WARNUNG:** Beide rotgefärbte Inbusschrauben dürfen nicht eingestellt werden. Die Stellung dieser beiden Schrauben darf nur vom Hersteller geändert werden.

## **EINSCHALTEN – AUSSCHALTEN**



**WARNUNG:** Überprüfen Sie immer die Funktionsfähigkeit des Schalters (4) und der Arretiertaste des Schalters (5) bevor Sie den Stecker in die Steckdose stecken. Achten Sie beim Einschalten unbedingt darauf, dass die Messertrommel keine Oberfläche berührt.

1. Stecken Sie den Stecker in die Steckdose, betätigen Sie die Arretiertaste (5) und drücken Sie den Schalter (4). (Abb. 8)
2. Um die Maschine zu stoppen, lassen Sie einfach den Schalter (4) los.
3. Wenn Sie die Maschine erneut starten wollen, ist es erforderlich gleichzeitig die Arretiertaste (5) zu betätigen und den Schalter (4) zu drücken. Das ist einen wichtigen Moment für die Gewährleistung des sicheren Betriebs der Maschine. (Abb. 9)



**WARNUNG:** Beachten Sie unbedingt, dass sich die Messer eine gewisse Zeit nach dem Ausschalten des Hobels noch drehen. Warten Sie ab, bis der Elektromotor gänzlich stoppt bevor Sie das Elektrowerkzeug beiseite legen, damit Sie eine Beschädigung der Messer oder der Oberfläche vermeiden können.

## **HOBELN**

1. Stellen Sie die vordere Grundplatte (1) waagrecht gegenüber der Oberfläche, die Sie bearbeiten werden, ohne sie mit den Messern zu berühren.
2. Schalten Sie das Elektrowerkzeug ein und warten Sie ab bis die Messer ihre volle Drehzahl erreichen.
3. Bewegen Sie die Maschine vorwärts vorsichtig, wobei Sie einen Druck auf den Hobel ausüben.
4. Schieben Sie den Hobel hinter dem Ende des bearbeitenden Teils ohne ihn nach unten zu neigen.
5. Die Geschwindigkeit der Bewegung des Hobels und die Tiefe des Hobelns bestimmen die Qualität des Endergebnisses. Zu einer größeren Bearbeitung können Sie die Schneidetiefe erhöhen. Zu einer feineren Bearbeitung müssen Sie die Tiefe reduzieren und den Hobel langsamer vorwärts schieben.

**BEMERKUNG:** Das Hobeln wird leichter sein, wenn Sie den bearbeitenden Teil mit einer leichten Neigung nach unten und nach außen stellen.



**WARNUNG:** Ein zu schnelles Vorwärtsschieben kann die Qualität der bearbeitenden Oberfläche verschlechtern, sowie die Messer oder den Elektromotor beschädigen. Zu langsames Vorwärtsschieben kann die bearbeitende Oberfläche anbrennen oder verderben.

Die passende Geschwindigkeit hängt von der Art des bearbeitenden Materials und von der Tiefe des Schneidens ab.

Erproben Sie den Hobel zuerst auf einem unbrauchbaren Stück Material, damit Sie die zu diesem Zweck passenden Geschwindigkeit und Tiefe bestimmen können.



**WARNUNG:** Befestigen Sie das bearbeitende Material gut am Arbeitstisch.

## **ABSCHRÄGEN (Abb. 10)**

Die V-förmigen Kanäle an der beweglichen vorderen Grundplatte (1) ermöglichen das schnelle und leichte Abnehmen von Fasen. In Abhängigkeit von der gewünschten Breite der Fase legen Sie den entsprechenden V-förmigen Kanal am Rand des zu bearbeitenden Materials und führen Sie den Hobel parallel dem Rand.

## **ABFÜHRUNG DER SPÄNE**

1. Staubbeutel (10) an der Öffnung (3) befestigen.
2. Staubsauger oder ein Staubabführungssystem zur Öffnung (3) anschließen um effizienter Staub und Späne abzuführen. Das dient einer sicheren und sauberen Arbeitsumgebung.

## **WECHSELN DES ANTRIEBSRIEMENS**



**WARNUNG:** Überzeugen Sie sich, dass das Elektrowerkzeug ausgeschaltet ist, und dass der Stecker aus der Steckdose gezogen ist, bevor Sie Einstellungen ändern oder die Messer des Hobels wechseln.

1. Um den Antriebsriemen zu ersetzen, schrauben Sie zuerst die drei Kreuzschlitzschrauben ab, welche den Deckel des Antriebsriemens (8) an der linken Seite des Hobels, gesehen von hinten, halten
2. Ziehen Sie den abgenutzten Riemen heraus, wobei Sie ihn von der oberen Rolle abziehen, indem Sie die untere Rolle gleichzeitig mit der Hand drehen. Benutzen Sie eine weiche Bürste um die Rollen und die sie umgebende Fläche zu putzen.

**BEMERKUNG:** Tragen Sie eine Schutzbrille, wenn Sie die Rollen putzen.

3. Die drei geraden (ununterbrochenen)▲ Profile an der inneren Seite des Riemens müssen in die drei „V“

Rollkanäle dringen. Legen Sie den neuen Riemen auf die untere Rolle. Legen Sie das andere Ende des Riemens um die obere Rolle und drehen sie ihn bis er gespannt wird und die beiden Rollen antreibt.

- Überprüfen Sie mit der Hand ob der Riemen sich frei dreht.
- Legen Sie den Deckel wieder auf und ziehen Sie die drei Schrauben fest
- Stecken Sie den Stecker in die Steckdose, schalten Sie die Maschine für eine Minute ein, um Sie sicher zu gehen, dass der Elektromotor und der Riemen gut funktionieren.

## ZUBEHÖRTEILE

Satz aus 2 Messern (montiert), Staubbeutel, Schraubenschlüssel.

## VII - Wartung



**WARNUNG:** Schalten Sie das Elektrowerkzeug immer aus und ziehen Sie den Stecker aus der Steckdose vor jeder Überprüfung oder Wartung.

Überprüfen Sie regelmäßig alle festhaltenden Elemente und überzeugen Sie sich, dass sie gut festgezogen sind. Falls sich irgendwelche Schrauben gelockert haben, ziehen Sie diese unverzüglich fest, damit Sie Risikosituationen vermeiden können.

Schmieren Sie regelmäßig alle sich bewegenden Teile.

## ALLGEMEINE ÜBERPRÜFUNG

Wenn die Kohlebürsten verschlissen sind, muss man beide Bürsten gleichzeitig mit Original- Bürsten in einem SPARKY – Service für Garantie- und Außergarantieinstandhaltung ersetzen lassen.

Falls das Netzkabel beschädigt ist, darf nur der Hersteller oder ein Servicefachmann des Herstellers den Austausch ausführen.

## REINIGUNG

Zu einer sicheren Arbeit halten Sie die Maschine und die Ventilationsöffnungen immer sauber.

Überprüfen Sie regelmäßig ob kein Staub oder Fremdkörper durch das Ventilationsgitter in der Nähe des Elektromotors oder um die Schalter eingedrungen sind. Benutzen Sie eine weiche Bürste um den angehäuften Staub zu beseitigen. Um Ihre Augen zu schützen, tragen Sie während der Reinigung eine Schutzbrille.

Wenn das Gehäuse der Maschine eine Reinigung braucht, wischen Sie ihn mit einem weichen feuchten Tuch ab. Man kann auch ein verdünntes Spülmittel benutzen.



**WARNUNG:** Der Gebrauch von Spiritus, Benzin oder anderer Lösungsmittel ist unzulässig. Benutzen Sie niemals ätzende Mittel zum Reinigen der Kunststoffteile.



**WARNUNG:** Der Kontakt der Maschine mit Wasser ist unzulässig.

**WICHTIG!** Um eine gefahrlose Arbeit mit dem Elektrowerkzeug und seine Zuverlässigkeit zu sichern, muss man alle Tätigkeiten zur Reparatur, Instandhaltung und Regulierung (einschließlich die Überprüfung und der Austausch der Bürsten) in den autorisierten SPARKY – Services mit Anwendung nur von originellen Ersatzteilen ausführen lassen.

## VIII - Garantie

Die Garantiefrist der SPARKY-Elektrowerkzeuge wird im Garantieschein bestimmt.

Schäden, die auf natürliche Abnutzung, Überlastung oder unsachgemäße Handhabung zurückzuführen sind, bleiben von der Garantie ausgeschlossen.

Schäden, die durch Material- und/oder Herstellerfehler entstanden sind, werden unentgeltlich durch Ersatzlieferung oder Reparatur beseitigt.

Beanstandungen bezüglich eines beschädigten SPARKY-Elektrowerkzeugs können nur anerkannt werden, wenn das Gerät unzerlegt (im ursprünglichen Zustand) dem Lieferanten oder der befugten Kundendienstwerkstatt vorgelegt wird.

## Bemerkungen

Lesen Sie aufmerksam die ganze Betriebsanleitung durch, bevor Sie mit der Arbeit beginnen.

Der Hersteller behält sich das Recht vor, Verbesserungen und Änderungen in seinen Erzeugnissen und in den Spezifikationen ohne Voranmeldung vorzunehmen.

Die Spezifikationen können für die verschiedenen Länder unterschiedlich sein.

## Sommaire

I - Introduction .....	18
II - Caractéristiques techniques .....	20
III - Avertissements de sécurité généraux pour l'outil .....	21
IV - Règles de sécurité complémentaires pour rabots électriques .....	22
V - Description de l'outil électroportatif .....	23
VI - Instructions pour le travail .....	23
VII - Maintenance .....	26
VIII - Garantie .....	26

### DEBALLAGE

Grâce aux techniques modernes de fabrication, il est improbable que votre outil soit défectueux ou qu'une pièce soit manquante. Si toutefois vous trouvez une anomalie, n'utilisez pas l'outil avant que les pièces aient été remplacées ou le défaut corrigé. Ne pas observer cette règle pourrait causer des blessures graves.

### MONTAGE

Le rabot P 160 est fourni emballé et entièrement monté, à l'exception du sachet destiné à recueillir la poussière.

## I - Introduction

Votre nouvel outil a été conçu et produit selon tous les standards de qualité pour répondre aux exigences les plus élevées. Son exploitation est facile et sécurisée. Et avec une utilisation correcte il vous servira longtemps.



### AVERTISSEMENT!

Lire attentivement les instructions avant d'utiliser votre nouvel outil. Prêter attention aux sections «**Avertissement**». Votre outil électrique possède des caractéristiques qui facilitent votre travail. Cet instrument a été conçu et produit selon toutes les exigences de sécurité pour que son usage et son entretien soient faciles.



### Ne pas jeter les outils électroportatifs avec les ordures ménagères!

Les déchets provenant d'outils électroportatif ne doivent pas être ramassés avec les ordures ménagères. Prière de recycler sur les lieux qui y sont spécialement destinés. Contacter les autorités locales ou un représentant pour des consultations concernant le recyclage.

### RESPECT DE L'ENVIRONNEMENT



Récupération des matières premières plutôt qu'élimination des déchets.

En vue à la protection de l'environnement, les appareils, comme d'ailleurs leurs accessoires et emballages, doivent pouvoir suivre chacun une voie de recyclage appropriée. Nos pièces en matières artificielles ont été marquées en vue d'un recyclage sélectif des différents matériaux.

## LÉGENDE

L'outil électrique porte une plaque décrivant les signes spéciaux. Ils apportent une information importante quant au produit ou des instructions d'utilisation.



Portez des équipements de protection adaptés t masque anti-poussière.



Portez des équipements de protection adaptés: lunettes de protection et casque anti-bruit



Double isolation pour une meilleure sécurité



Raccordement à un aspirateur



Conforme aux directives européennes applicables



En conformité avec les exigences des standards Russes



En conformité avec les exigences des standards ukrainiens



Lisez les instructions d'utilisation

YYYY-Www

Période de production, où les symboles variables sont les suivants:  
YYYY - année de production, ww – le numéro de la semaine du calendrier

P

RABOT

## II - Caractéristiques techniques

<b>Modèle:</b>	<b>P 160</b>
• Puissance absorbée:	450 W
• Vitesse nominale :	16000 min <sup>-1</sup>
• Profondeur du rabotage :	0-1.5 mm
• Largeur du rabotage :	60 mm
• Poids (EPTA procédure 01/2003) :	1.8 kg
• Classe de protection (EN 60745) 	II

### Informations sur les bruits et les vibrations

#### • **Emission de bruit** (Valeurs de mesure obtenues conformément à la EN 60745):

A-niveau pondéré de pression sonore L <sub>pA</sub>	83 dB(A)
Indéterminé K <sub>pA</sub>	3 dB
A-niveau pondéré de puissance sonore L <sub>WA</sub>	94 dB(A)
Indéterminé K <sub>WA</sub>	3 dB



**Utilisez des protecteurs auditifs!**

#### • **Emission de vibrations** (déterminées conformément au point 6.2.7 EN 60745-1):

*Valeur globale des vibrations (somme vectorielles sur les trois axes) selon EN 60745*

Valeur des vibrations émises a <sub>v</sub>	3 m/s <sup>2</sup>
Indéterminé K	1.5 m/s <sup>2</sup>

L'amplitude d' l'accélération indiquée dans ces instructions d'utilisation a été mesurée suivant les méthodes de mesurage conformément à la norme EN 60745 et peut être utilisée pour une comparaison d'appareils. Le niveau de vibration peut être utilisé pour faire une estimation provisoire du degré d'influence vibratoire.

Le niveau de vibration annoncé concerne la fonction principale de l'outil. Dans des cas où l'outil est destinée à une autre utilisation ou avec d'autres accessoires, ou s'il est mal entretenu, le niveau de vibration peut s'écarter de celui qui a été indiqué. Si c'est le cas, le degré d'influence peut fortement augmenter au cours de l'utilisation.

Pour une estimation précise de l'influence vibratoire pendant un certain temps d'utilisation, il est recommandé de prendre aussi en considération les espaces de temps pendant lesquels l'appareil est éteint ou sous tension, mais pas vraiment utilisé. Ceci peut réduire considérablement l'influence vibratoire pendant toute la durée du travail.

Entretenez l'outil et ses accessoires en bon état. Gardez vos mains chaudes au cours de son utilisation – cela va diminuer les conséquences négatives lorsque vous travaillez à des hauts degrés de vibrations.

Les poussières de matériaux tels que peintures contenant du plomb, certains bois, minéraux ou métaux, peuvent être nuisibles à la santé. Toucher ou aspirer les poussières peut entraîner des réactions allergiques et/ou des maladies respiratoires auprès de l'utilisateur ou de personnes se trouvant à proximité.

Certaines poussières telles que les poussières de chêne ou de hêtre sont considérées cancérigènes, surtout en connexion avec des additifs pour le traitement de bois (chromate, lazure). Les matériaux contenant de l'amiante ne doivent être travaillés que par des personnes qualifiées.

- Si possible, utilisez une aspiration des poussières.
- Afin d'atteindre un haut degré d'aspiration de la poussière, lors du travail avec cet outil électroportatif utilisez un aspirateur spécialement adapté pour l'aspiration de poussière de bois ou pour l'aspiration de poussière de bois et/ou poussière de minéraux.
- Veillez à bien aérer la zone de travail.
- Il est recommandé de porter un masque respiratoire de la classe de filtre P2.

Respectez les règlements en vigueur dans votre pays spécifiques aux matériaux à traiter.

# III - Avertissements de sécurité généraux pour l'outil



**AVERTISSEMENT!** Lire tous les avertissements de sécurité et toutes les instructions. Ne pas suivre les avertissements et instructions peut donner lieu à un choc électrique, un incendie et/ou une blessure sérieuse.

Conserver tous les avertissements et toutes les instructions pour pouvoir s'y reporter ultérieurement.

Le terme «outil» dans les avertissements fait référence à votre outil électrique alimenté par le secteur (avec cordon d'alimentation) ou votre outil fonctionnant sur batterie (sans cordon d'alimentation).

## 1. SÉCURITÉ DE LA ZONE DE TRAVAIL

- Conserver la zone de travail propre et bien éclairée. Les zones en désordre ou sombres sont propices aux accidents.
- Ne pas faire fonctionner les outils électriques en atmosphère explosive, par exemple en présence de liquides inflammables, de gaz ou de poussières. Les outils électriques produisent des étincelles qui peuvent enflammer les poussières ou les fumées.
- Maintenir les enfants et les personnes présentes à l'écart pendant l'utilisation de l'outil. Les distractions peuvent vous faire perdre le contrôle de l'outil.

## 2. SÉCURITÉ ÉLECTRIQUE

- Il faut que les fiches de l'outil électrique soient adaptées au socle. Ne jamais modifier la fiche de quelque façon que ce soit. Ne pas utiliser d'adaptateurs avec des outils à branchement de terre. Des fiches non modifiées et des socles adaptés réduiront le risque de choc électrique.
- Éviter tout contact du corps avec des surfaces reliées à la terre telles que les tuyaux, les radiateurs, les cuisinières et les réfrigérateurs. Il existe un risque accru de choc électrique si votre corps est relié à la terre.
- Ne pas exposer les outils à la pluie ou à des conditions humides. La pénétration d'eau à l'intérieur d'un outil augmentera le risque de choc électrique.
- Ne pas maltraiter le cordon. Ne jamais utiliser le cordon pour porter, tirer ou débrancher l'outil. Maintenir le cordon à l'écart de la chaleur, du lubrifiant, des arêtes ou des parties en mouvement. Des cordons endommagés ou emmêlés augmentent le risque de choc électrique.
- Lorsqu'on utilise un outil à l'extérieur, utiliser un prolongateur adapté à l'utilisation extérieure. L'utilisation d'un cordon adapté à l'utilisation extérieure réduit le risque de choc électrique.
- Si l'usage d'un outil dans un emplacement humide est inévitable, utiliser une alimentation

protégée par un dispositif à courant différentiel résiduel (RCD). L'usage d'un RCD réduit le risque de choc électrique.

## 3. SÉCURITÉ DES PERSONNES

- Rester vigilant, regarder ce que vous êtes en train de faire et faire preuve de bon sens dans votre utilisation de l'outil. Ne pas utiliser un outil lorsque vous êtes fatigué ou sous l'emprise de drogues, d'alcool ou de médicaments. Un moment d'inattention en cours d'utilisation d'un outil peut entraîner des blessures graves des personnes.
  - Utiliser un équipement de sécurité. Toujours porter une protection pour les yeux. Les équipements de sécurité tels que les masques contre les poussières, les chaussures de sécurité antidérapantes, les casques ou les protections acoustiques utilisés pour les conditions appropriées réduiront les blessures de personnes.
  - Éviter tout démarrage intempestif. S'assurer que l'interrupteur est en position arrêté avant de brancher l'outil au secteur et/ou au bloc de batteries, de le ramasser ou de le porter. Porter les outils en ayant le doigt sur l'interrupteur ou brancher des outils dont l'interrupteur est en position marche est source d'accidents.
  - Retirer toute clé de réglage avant de mettre l'outil en marche. Une clé laissée fixée sur une partie tournante de l'outil peut donner lieu à des blessures de personnes.
  - Ne pas se précipiter. Garder une position et un équilibre adaptés à tout moment. Cela permet un meilleur contrôle de l'outil dans des situations inattendues.
  - S'habiller de manière adaptée. Ne pas porter de vêtements amples ou de bijoux. Garder les cheveux, les vêtements et les gants à distance des parties en mouvement. Des vêtements amples, des bijoux ou les cheveux longs peuvent être pris dans des parties en mouvement.
  - Si des dispositifs sont fournis pour le raccordement d'équipements pour l'extraction et la récupération des poussières, s'assurer qu'ils sont connectés et correctement utilisés. Utiliser des collecteurs de poussière peut réduire les risques dus aux poussières.
- ## 4. UTILISATION ET ENTRETIEN DE L'OUTIL
- Ne pas forcer l'outil. Utiliser l'outil adapté à votre application. L'outil adapté réalisera mieux le travail et de manière plus sûre au régime pour lequel il a été construit.
  - Ne pas utiliser l'outil si l'interrupteur ne permet pas de passer de l'état de marche à arrêté et vice versa. Tout outil qui ne peut pas être commandé par l'interrupteur est dangereux et il faut le réparer.
  - Débrancher la fiche de la source d'alimentation en courant et/ou le bloc de batteries de l'outil avant tout réglage, changement d'accessoires ou avant de ranger l'outil. De telles mesures de sécurité préventives réduisent le risque de démarrage accidentel de l'outil.
  - Conserver les outils à l'arrêt hors de la portée des

enfants et ne pas permettre à des personnes ne connaissant pas l'outil ou les présentes instructions de le faire fonctionner. *Les outils sont dangereux entre les mains d'utilisateurs novices.*

- e) **Observer la maintenance de l'outil. Vérifier qu'il n'y a pas de mauvais alignement ou de blocage des parties mobiles, des pièces cassées ou toute autre condition pouvant affecter le fonctionnement de l'outil. En cas de dommages, faire réparer l'outil avant de l'utiliser. De nombreux accidents sont dus à des outils mal entretenus.**
- f) **Garder affûtés et propres les outils permettant de couper. Des outils destinés à couper correctement entretenus avec des pièces coupantes tranchantes sont moins susceptibles de bloquer et sont plus faciles à contrôler.**
- g) **Utiliser l'outil, les accessoires et les lames etc., conformément à ces instructions, en tenant compte des conditions de travail et du travail à réaliser. L'utilisation de l'outil pour des opérations différentes de celles prévues pourrait donner lieu à des situations dangereuses.**

## 5. MAINTENANCE ET ENTRETIEN

- a) **Faire entretenir l'outil par un réparateur qualifié utilisant uniquement des pièces de rechange identiques. Cela assurera que la sécurité de l'outil est maintenue.**

## IV - Règles de sécurité complémentaires pour rabots électriques

- **Avant de mettre l'outil électroportatif de côté, attendez toujours que le tambour des lames s'arrête. La partie tranchante du rabot peut s'enfoncer dans une surface et causer de la sorte une perte de contrôle et un accident grave.**
- **Tenir l'outil uniquement par les surfaces de préhension isolantes, pendant les opérations au cours desquelles l'accessoire coupant peut être en contact avec des conducteurs cachés ou avec son propre câble. Le contact de l'accessoire coupant avec un fil „sous tension” peut également mettre „sous tension” les parties métalliques exposées de l'outil électrique et provoquer un choc électrique sur l'opérateur.**
- **Utilisez un étau ou un autre moyen convenable de fixation du matériau traité à une base stable. Le fait de tenir le matériau traité de la main ou de le serrer contre votre corps n'assure pas la stabilité nécessaire et peut mener à une perte de contrôle.**
- Portez toujours des lunettes de protection et une protection antibruit, de même qu'un masque de protection contre la poussière.
- Afin d'éviter une éventuelle surchauffe, déroulez toujours jusqu'au bout le câble de rallonge à dérouleur.
- Lorsqu'il est nécessaire d'utiliser une rallonge, assurez-vous que la section du câble est conforme à la force du courant consommé par l'appareil électrique utilisé et que la rallonge est en parfait état.
- À la suite d'un long travail, les parties métalliques extérieures et les accessoires peuvent devenir très chauds.
- Débranchez toujours l'appareil avant de le mettre de côté.
- Ne surchargez pas l'outil électroportatif - laissez-le fonctionner à une vitesse raisonnable. La surcharge apparaît lors de l'exercice d'une pression trop forte, cas dans lequel le moteur électrique commence à tourner plus lentement, ce qui abaisse l'efficacité et peut vraisemblablement causer un dommage au moteur électrique.
- Chaque fois que cela est possible, utilisez un système d'élimination des poussières.
- Ne laissez jamais traîner dans la zone de travail des chiffons, des serviettes, de l'étaupe, des ficelles, des fils, etc.
- Avant le début du travail, éliminez de la pièce à traiter tous les clous, vis et autres corps étrangers. En cas de pénétration dans un clou ou un autre corps métallique, le disque ou l'appareil électrique peut subir un dommage, ce qui crée un danger d'accident du travail.
- Faites très attention lorsque vous touchez les lames
- Avant le début du travail, assurez-vous que les vis de fixation des lames sont bien serrées.
- Tenez solidement l'outil électroportatif des deux mains.
- Veillez à ce que vos mains n'entrent pas en contact avec les pièces en mouvement.
- Avant le début du travail avec l'outil électroportatif, laissez celui-ci tourner à vide un certain temps. Surveillez l'éventuelle présence de vibrations ; la présence de celles-ci est le signe d'un montage incorrect ou d'un mauvais équilibrage des lames.
- Au moment de mettre en marche l'outil électroportatif, assurez-vous qu'aucune des lames n'entre en contact avec la surface à traiter.
- Attendez que les lames atteignent leur vitesse maximale avant de commencer le rabotage.
- Pendant le travail, tenez l'outil électroportatif à une distance d'au moins 200 mm de votre visage et de votre corps.
- Arrêtez toujours l'outil électroportatif et attendez l'immobilisation complète des lames avant d'entreprendre tout réglage.
- Ne mettez jamais le doigt dans la rigole destinée aux copeaux. Celles-ci peuvent obstruer la rigole lorsque vous traitez du bois humide. Nettoyez les copeaux à l'aide d'une baguette, mais seulement lorsque la machine est arrêtée et que sa fiche est débranchée de la prise de courant.
- Ne laissez jamais l'outil électroportatif fonctionner sans surveillance. Travaillez avec celui-ci seulement en le contrôlant des deux mains.
- Lorsque vous mettez le rabot de côté, arrêtez-le et appuyez-le contre un rondin, la base antérieure placée vers le haut, de sorte que les lames n'entrent en contact avec aucun objet.
- Remplacez toujours les trois lames à la fois; autrement, la perte d'équilibre entraînera l'instabilité et écourtera la longévité des lames et de l'outil électroportatif lui-même,





**AVERTISSEMENT:** Avant de brancher l'appareil électrique au réseau d'alimentation électrique (à une prise, une douille, une fiche), assurez-vous que la tension de celui-ci est bien celle indiquée sur la plaquette contenant les caractéristiques techniques de cet outil électroportatif. Une tension supérieure à la tension nominale peut blesser gravement l'utilisateur et endommager la machine.

- Si vous ne savez pas avec certitude quelle est la tension du secteur, ne branchez pas l'outil.
- Si la tension est plus basse que la nominale, le moteur électrique sera endommagé.
- L'appareil doit être utilisé uniquement pour les travaux pour lesquels il a été prévu. Toute autre utilisation, différente que celle décrite dans la présente notice, doit être considérée comme abusive. Le producteur décline toute responsabilité en cas de dommage ou de blessure causée par une utilisation abusive, cette responsabilité étant alors entièrement assumée par l'utilisateur.
- Afin d'utiliser l'appareil correctement, vous devez respecter les règles de sécurité, les consignes générales et celles concernant l'exploitation qui figurent dans le présent document. Tous les utilisateurs doivent avoir pris connaissance de cette notice d'utilisation et être informés sur les risques potentiels lors du travail avec l'outil électroportatif. Les enfants et les personnes ne possédant pas la force physique nécessaire ne doivent pas utiliser l'appareil. Les enfants se trouvant dans la zone de travail avec l'appareil électrique doivent être sous une surveillance incessante. Il est indispensable que vous preniez également des mesures de sécurité préalables. Ceci est également valable compte tenu des principales consignes concernant la salubrité et la sécurité du travail.
- Le producteur décline toute responsabilité en cas de modifications apportées à l'appareil électrique ou de dommages provoqués par ces modifications.

Même lorsque l'appareil est utilisé en conformité avec sa destination, il est impossible d'écartier tous les facteurs de risque. Les dangers décrits ci-dessous peuvent être engendrés par les particularités de conception et de construction de l'outil électroportatif.

- Problèmes concernant l'outil lorsque les mesures adéquates n'ont pas été prises.
- Débranchez toujours la fiche de la prise avant de réparer ou de régler l'outil électroportatif, y compris lorsque vous remplacez les lames ou que vous réglez la profondeur du rabotage.
- Contact avec les lames.
- Pénétration dans la zone de travail, située sous la base, lorsque la machine fonctionne.
- Rebondissement (ricochet) de la pièce traitée ou de parties de celle-ci
- Rupture d'une lame.
- Choc causé par les fragments d'une lame qui se brise.
- L'outil électroportatif ne doit pas être utilisé à l'extérieur lorsqu'il pleut, dans un milieu humide (après la pluie) ni à proximité de liquides et de gaz facilement inflammables. Le lieu de travail doit être bien éclairé.

## V - Description de l'outil électroportatif

Avant de commencer le travail avec le rabot, prenez connaissance des particularités de son fonctionnement et des conditions de sécurité à respecter. L'outil électroportatif et ses accessoires doivent être utilisés uniquement pour les travaux pour lesquels ils ont été conçus. Toute autre utilisation est strictement interdite.

1. Base avant mobile
2. Régulateur de la profondeur de coupe
3. Embout d'élimination de la poussière
4. Interrupteur
5. Bouton de verrouillage de l'interrupteur
6. Poignée
7. Emplacement prévu pour le rangement de la clé à écrou
8. Capot de la courroie d'entraînement
9. Clé à écrou
10. Sac d'évacuation de la poussière
11. Tambour des lames
12. Lame à affûtage bilatéral
13. Boulon de fixation
14. Ergot

## VI - Instructions pour le travail

Cet outil électroportatif est alimenté en courant alternatif monophasé. Il possède une double isolation, conformément à EN 60745-1 et EC 60745 et peut être branché à des prises qui ne possèdent pas de bornes de protection. Les brouillages radiophoniques sont conformes à la Directive de conformité électromagnétique 2004/108/CE.

### AVANT LE DÉBUT DU TRAVAIL

- Assurez-vous que la tension du secteur correspond à celle indiquée sur la plaquette contenant les données techniques sur l'outil électroportatif.
- Assurez-vous que le câble électrique et sa fiche sont en parfait état. Si le câble d'alimentation est endommagé, il doit être remplacé par le producteur ou un spécialiste agréé par celui-ci, afin que soient évités d'éventuels risques lors de son remplacement.

### REGLAGE DE LA PROFONDEUR DE COUPE



**AVERTISSEMENT:** Assurez-vous que l'outil électroportatif est arrêté et que sa fiche est débranchée de la prise avant de procédez à une modification des réglages ou au remplacement des lames.

1. Pour obtenir un rabotage plus profond, tournez le régulateur de la profondeur de coupe (2) en sens horaire, alors que pour un rabotage moins profond, tournez-le en sens antihoraire (Fig.1).
2. Les nombres gravés sur l'échelle du régulateur de la

profondeur de coupe indiquent le degré de réglage du rabot.

3. S'il est nécessaire de déterminer avec précision la profondeur de coupe, faites un essai sur un morceau de bois dont vous n'avez pas besoin, mesurez les différences d'épaisseur et s'il le faut, procédez à un nouveau réglage.



**AVERTISSEMENT:** Lorsque vous n'utilisez pas le rabot, assurez-vous que le régulateur est placé en position "0" ; en cette position, la lame ne peut pas s'enfoncer dans la pièce traitée.

## MONTAGE ET DÉMONTAGE DES LAMES



**AVERTISSEMENT:** Assurez-vous que l'outil électroportatif est arrêté et débranchez la fiche de la prise avant de procéder au montage ou au démontage des lames.

Le rabot est doté de lames à affûtage bilatéral. Les lames peuvent être utilisées à l'envers après l'usure de l'un de leurs côtés. Après l'usure de leurs deux côtés, elles doivent être remplacées.

**REMARQUE** Les lames usées ne peuvent pas être affûtées.

## DÉMONTAGE D'UNE LAME



**AVERTISSEMENT:** Les lames sont très tranchantes. Faites très attention lorsque vous les prenez en main.

1. Desserrez les trois boulons de fixation (13) en vous servant de la clé à écrou (9).
2. Sortez la lame (12) de la fente du tambour (11) où celle-ci est placée (Fig. 2).

## MONTAGE D'UNE LAME

1. Tournez à l'envers la lame (12) ou si elle est usée, remplacez-la par une neuve.
2. Prenez la lame neuve et placez-la entre le porteur et le support.

**REMARQUE:** Le bord longitudinal de la lame doit être orienté vers le côté opposé des boulons de serrage (13).

3. Serrez uniformément les boulons (13). Commencez pas serrer les deux boulons extérieurs, puis serrez celui du milieu.
4. Répétez les mêmes opérations pour l'autre lame.

**REMARQUE:** Lorsque les lames sont usées, il faut remplacer le jeu des deux lames afin d'éviter une perte d'équilibre, des vibrations dangereuses et une possible détérioration de l'outil électroportatif.



**AVERTISSEMENT:** Avant de placer les lames, éliminez les copeaux collés sur le tambour (11) et sur les lames. Utilisez des lames de la même taille et du même poids que celles d'origine, car autrement, le tambour va vibrer. Ceci entraînera un rabotage de mauvaise qualité et une détérioration probable de la machine. Serrez attentivement les boulons (13) lorsque vous fixez les lames au rabot. Un boulon desserré crée un très grand danger. Assurez-vous régulièrement que les boulons sont bien serrés.



**AVERTISSEMENT:** Le rabot est conçu pour fonctionner avec des lames bien alignées et correctement serrées dans leurs logements. Lorsque vous montez des lames neuves, il est très important que celles-ci soient introduites sous un angle droit dans leurs logements et que leurs bords tranchants soient parfaitement alignés, c'est-à-dire, parallèles à la surface de la base arrière. Ce n'est que lorsque toutes ces conditions ont été satisfaites qu'il est permis de serrer les boulons. Si les lames débordent vers l'extérieur ou qu'elles ne sont pas placées sous un angle droit, il est possible qu'elles se grippent contre le boîtier, ce qui peut créer un grand danger pour l'opérateur et les personnes se trouvant à proximité. La lame doit être centrée dans le tambour.

**REMARQUE:** Si les lames ne sont pas placées et serrées correctement, la surface traitée sera rugueuse et irrégulière.

Les exemples présentés illustrent les montages correct et incorrect.

- **Rabotage propre** (Fig. 3)
- **Irrégularités de la surface** – si le bord de l'une ou de toutes les lames n'est pas parallèle à la base arrière (Fig. 4).
- **Creux au début** – si le bord de l'une ou de toutes les lames n'est pas suffisamment saillant par rapport à la base arrière (Fig. 5).
- **Creux à l'extrémité** – si le bord de l'une ou de toutes les lames est trop saillant par rapport à la base arrière (Fig. 6).

**REMARQUE :**

- (a) Base avant (partie mobile)
- (b) Base arrière (partie immobile)



**AVERTISSEMENT:** Les deux vis à hexagone intérieur marquées en rouge ne doivent pas être réglées. La position de ces deux vis ne peut être modifiée que par le constructeur.

## MARCHE - ARRÊT



**AVERTISSEMENT** : Avant de brancher la fiche à la prise, n'oubliez jamais de vérifier si l'interrupteur (4) et le bouton de blocage (5) sont en parfait état. Avant de mettre la machine en marche, assurez-vous que le tambour à lames n'entre en contact avec aucune surface.

1. Branchez la fiche à la prise, pressez sur le bouton de blocage (5) et tirez sur l'interrupteur (4). (Fig. 8)
2. Pour arrêter la machine, vous n'avez qu'à libérer l'interrupteur (4).
3. Si vous désirez remettre la machine en marche, vous devez actionner simultanément le bouton de blocage (5) et l'interrupteur (4). Ceci est une opération fort importante, qui assure la sécurité lors du travail avec la machine. (Fig. 9)



**AVERTISSEMENT**: Faites attention à ce que les lames continuent à tourner un certain temps après l'arrêt du rabot. Attendez que le moteur électrique s'arrête définitivement de tourner avant de mettre l'outil électroportatif de côté; ainsi, vous éviterez une éventuelle détérioration des lames ou de la surface.

## RABOTAGE

1. Placez la base avant (1) horizontalement sur la surface à traiter, sans que les lames touchent celle-ci.
2. Mettez l'outil électroportatif en marche et attendez que les lames atteignent leur vitesse maximale.
3. Déplacez attentivement la machine en avant en exerçant une pression sur le rabot.
4. Allez jusqu'au bout de la pièce traitée sans incliner le rabot vers le bas.
5. La vitesse de déplacement du rabot et la profondeur de coupe déterminent la qualité du résultat final. Pour un traitement plus grossier, vous pouvez augmenter la profondeur de coupe. Pour un traitement plus fin, vous devez réduire cette profondeur et faire avancer le rabot plus lentement.

**REMARQUE**: Le travail sera plus aisé si vous placez la pièce traitée légèrement inclinée vers le bas et l'extérieur.



**AVERTISSEMENT**: Un déplacement trop rapide peut conduire à la détérioration de la surface traitée et endommager les lames ou le moteur électrique. Un déplacement trop lent peut entraîner la brûlure ou la détérioration de la surface traitée.

La bonne vitesse à appliquer dépend du type de la surface traitée et de la profondeur de coupe. Commencez par faire un essai sur un morceau de matériau dont vous n'avez pas besoin, afin de déterminer la bonne vitesse et profondeur.



**AVERTISSEMENT**: Fixez le matériau à traiter sur la table de travail.

## REALISATION DE BISEAUX (Fig. 10)

Les canaux en forme de V dans la base avant mobile (1) permettent de former aisément et rapidement des biseaux. Selon la largeur désirée du biseau, placez le canal respectif en forme de V sur le bord du matériau à traiter et faites avancer le rabot parallèlement au bord.

## ELIMINATION DE LE COPEAUX

1. Placez le sachet destiné à recueillir la poussière (10) sur l'orifice respectif (3).
2. Pour une élimination efficace de la poussière et des copeaux, vous pouvez raccorder l'embout (3) à un système d'élimination des poussières ou à un aspirateur. Vous pourrez assurer de la sorte un environnement de travail mieux sécurisé et plus propre.

## REPLACEMENT DE LA COURROIE D'ENTRAÎNEMENT



**AVERTISSEMENT**: Assurez-vous que l'outil électroportatif est arrêté et que sa fiche est débranchée de la prise avant de procéder à une modification des réglages ou au remplacement des lames du rabot.

1. Pour remplacer la courroie d'entraînement, commencez par dévisser les trois vis à fente en croix, à l'aide desquelles est fixé le couvercle de la courroie d'entraînement (8) du côté gauche du rabot, vu de l'arrière.
2. Enlevez la courroie usée en la décrochant du galet supérieur tout en tournant le galet inférieur à la main. Utilisez une brosse douce pour nettoyer les galets et l'espace environnant.

**REMARQUE**: Lors du nettoyage des galets, portez des lunettes de protection.

3. Les trois profils droits (ininterrompus) ▲ situés du côté intérieur de la courroie doivent pénétrer dans les trois canaux en « V » des galets. Placez la courroie neuve sur le galet inférieur. Ajustez l'autre côté de la courroie sur le galet supérieur et faites-la tourner jusqu'à ce qu'elle se tende et qu'elle entraîne des deux galets.
4. Vérifiez à la main si la courroie tourne librement.
5. Remettez le couvercle et serrez les trois vis.
6. Branchez la fiche à la prise, mettez la machine en marche et laissez-la tourner pendant une minute pour vous assurer que le moteur électrique et la courroie fonctionnent correctement.

## ACCESSOIRES

Un jeu de 2 lames (montées), un sachet destiné à recueillir la poussière, une clé à écrou.

## VII - Maintenance



**AVERTISSEMENT:** Arrêtez toujours l'outil électroportatif et débranchez-le du réseau avant d'effectuer sur celui-ci tout réglage et opération de service ou d'entretien.

Vérifiez régulièrement tous les éléments de fixation et assurez-vous qu'ils sont bien serrés. Si quelque vis s'est desserrée, resserrez-la immédiatement afin d'éviter tout risque.

Ayez soin de lubrifier régulièrement toutes les parties mobiles.

### EXAMEN GÉNÉRAL

Lorsque les balais sont usés, les deux balais doivent être remplacés à la fois par des balais d'origine dans un atelier de service après-vente de SPARKY pour l'entretien de l'appareil dans le cadre de la garantie et en dehors de celle-ci. Si le câble d'alimentation est endommagé, il doit être remplacé par le constructeur ou un spécialiste agréé par celui-ci afin d'éviter les éventuels risques liés à son remplacement.

### NETTOYAGE

La machine et les trous de ventilation doivent être maintenus propres afin d'assurer la sécurité de travail.

Il faut vérifier régulièrement s'il n'y a pas des corps étrangers ou poussière accumulée dans la grille de ventilation près du moteur ou dans l'interrupteur. Éliminer la poussière avec une pince douce. Pendant le nettoyage porter des lunettes de protection pour protéger vos yeux.

Le corps de la machine est nettoyé avec un chiffon doux humide. On peut utiliser un détergent non-agressive au besoin.



**AVERTISSEMENT:** Ne jamais utiliser l'alcool, essence ou autres solvants organiques. Ne jamais utiliser des produits corrosifs pour le nettoyage des parties en plastique.



**AVERTISSEMENT:** Ne jamais laisser l'eau pénétrer dans la machine.

**IMPORTANT!** Afin de garantir la sécurité et la fiabilité de travail de la machine tous les travaux de réparation, entretien et réglage, y compris le remplacement des balais moteur, ne devront être faites que par les stations service autorisées de SPARKY en utilisant uniquement des pièces de rechange originales.

## VIII - Garantie

La période de garantie des outils électroportatifs SPARKY est définie dans le contrat de garantie.

La garantie ne couvre pas les pannes apparues suite à l'usure naturelle, une surcharge ou une mauvaise exploitation.

Les pannes survenues pour cause de matériaux défectifs et/ou d'erreurs de fabrication seront réparées gratuitement ou le produit sera échangé.

Les réclamations pour un instrument SPARKY défectueux seront honorées si la machine est retournée au livreur ou est présentée à un service après-vente agréé assemblé et dans son état original (assemblée).

## Note

Lisez attentivement toute cette instruction d'utilisation avant de commencer à vous servir de l'outil.

Le fabricant ne se défait pas du droit d'introduire des améliorations et des changements dans ses produits ainsi que de changer les spécifications sans avis préalable.

Les spécifications peuvent différer selon les pays.

## Indice

I - Introduzione .....	27
II - Caratteristiche tecniche .....	29
III - Avvertenze di sicurezza .....	30
IV - Regole supplementari di sicurezza nel lavoro con pialle elettriche .....	31
V - Prendere visione dell'elettrotensile .....	32
VI - Istruzioni per l'uso .....	32
VII - Manutenzione .....	34
VIII - Garanzia .....	34

### PRIMA DELL'USO

Prima dell'uso verificare la presenza di tutti i componenti e degli accessori elencati. In caso di mancanze o apparenti difetti rivolgersi al rivenditore specializzato. L'inosservanza di tale raccomandazione potrebbe provocare gravi incidenti.

### ASSEMBLAGGIO

La pialla P 160 viene fornita imballata e completamente montata, ad eccezione del sacchetto per la polvere.

## I - Introduzione

Questo utensile SPARKY supererà le Vostre aspettative. La produzione secondo i rigorosi standard di qualità SPARKY assicura un'ottima prestazione. Se utilizzato correttamente, l'utensile risulterà maneggevole e sicuro, e garantirà un uso duraturo.



#### AVVERTENZA:

Leggere attentamente tutte le istruzioni prima dell'utilizzo dell'utensile. Leggere con cura soprattutto le parti introdotte da "Attenzione!". Questo utensile SPARKY presenta numerose caratteristiche che faciliteranno il Suo lavoro. Sicurezza, qualità ed affidabilità sono punti chiave nello sviluppo di questo utensile, e lo rendono semplice nell'uso e nella manutenzione.



#### Non smaltire elettrotensili insieme a rifiuti domestici!

Residui di prodotti elettrici devono essere smaltiti separatamente dai rifiuti domestici e sottoposti ad un riciclaggio ecologico. Si prega di informarsi presso le autorità locali o i rivenditori specializzati circa il più vicino luogo di raccolta.

#### RISPETTO DELL'AMBIENTE



Macchina, accessori ed imballaggio devono essere destinati ad una riutilizzazione ecologica per il recupero di materie prime.

I componenti in plastica sono contrassegnati per relativo riciclaggio.

## SIMBOLI

L'etichetta che si trova sulla macchina contiene alcuni simboli. Questi forniscono importanti informazioni sull'utensile o istruzioni sull'uso dello stesso.



Indossare maschere protettive



Indossare cuffie protettive.  
Indossare occhiali protettivi.



Doppio isolamento per una protezione supplementare



Collegamento ad aspirapolvere



Corrisponde alle direttive europee applicabili



Conforme alle esigenze dei documenti normativi russi



Conforme alle esigenze dei documenti normativi ucraini



Prendere conoscenza delle istruzioni per l'uso

YYYY-Www

Periodo di produzione, ove i simboli variabili sono:  
YYYY – l'anno di produzione, ww – la settimana di calendario consecutiva

P

PIALLETTO

## II - Caratteristiche tecniche

<b>Modello:</b>	<b>P 160</b>
Potenza:	450 W
Velocità nominale:	16000 min <sup>-1</sup>
Profondità di piallatura:	0-1.5 mm
Profondità di fresatura:	60 mm
Peso (EPTA procedura 01/2003):	1.8 kg
Classe di protezione <input type="checkbox"/> :	II

### Informazioni sul rumore e sulle vibrazioni

**Emissione acustica** (I valori sono stati misurati conformemente all'EN 60745):

A-livello di pressione sonora ponderata $L_{pA}$	83 dB(A)
Indeterminazione $K_{pA}$	3 dB
A-livello di potenza sonora ponderata $L_{WA}$	94 dB(A)
Indeterminazione $K_{WA}$	3 dB



**Usare mezzi per protezione dal rumore!**

**Emissione di vibrazioni** (determinate conformemente al punto 6.2.7 dell'EN 60745-1):

*Valore totale delle vibrazioni (somma vettoriale lungo i tre assi), determinato conformemente alla norma EN 60745*

Valore delle vibrazioni emesse $a_{hv}$	3 m/s <sup>2</sup>
Indeterminazione K	1.5 m/s <sup>2</sup>

Il livello di vibrazione sopra indicato è stato definito seguendo il metodo di misurazione riportato nella normativa EN 60745 e può essere utilizzato per confrontare tra di loro diversi elettroutensili. Inoltre è adatto per effettuare una stima provvisoria del livello di esposizione.

Il livello di vibrazione si riferisce alle modalità d'uso principali dell'utensile. Tuttavia, se utilizzato per scopi diversi da quelli previsti, con punte poco stabili o senza adeguata manutenzione, il livello di vibrazione può variare. Ciò può aumentare sensibilmente il livello di esposizione durante il lavoro.

Per una precisa definizione del livello di esposizione dovrebbe essere preso in considerazione anche l'arco di tempo in cui l'utensile è spento o funzionante ma non in uso. Ciò può ridurre sostanzialmente il livello di esposizione durante il lavoro.

Utilizzare l'utensile e gli accessori con cura, e maneggiarlo mantenendo le mani calde così da ridurre gli effetti dannosi dell'elevato livello di vibrazioni.

Polvere derivante da materiali come vernici contenenti particelle di piombo, alcuni tipi di legno, minerali e metallo potrebbe essere nociva. Il contatto o l'inalazione di tali polveri potrebbe causare reazioni allergiche e/o problemi al sistema respiratorio dell'utente o di terzi.

Talune tipologie di polveri, come ad esempio quella derivante da legno di quercia o faggio, soprattutto se trattati con additivi e conservanti, sono classificate come cancerogene. Si consiglia di fare trattare materiali contenenti asbesto solo a persone esperte.

- Se possibile collegare sempre la macchina ad un dispositivo di aspirazione.
- Per garantire un'area di lavoro pulita utilizzare un aspirapolvere per trucioli e/o minerali insieme all'utensile.
- Tenere l'area di lavoro ben pulita e ventilata.
- Si consiglia l'uso di una mascherina o filtro di classe P2.

Osservare le direttive nazionali relative al materiale da lavorare.

## III - Avvertenze di sicurezza



**ATTENZIONE!** Leggere tutte le istruzioni d'uso e le avvertenze di sicurezza. L'inosservanza delle istruzioni seguenti può causare folgorazioni, incendi e/o gravi danni a persone.

Conservare con cura queste istruzioni.

Il termine "utensile" in tutte le avvertenze successive si riferisce sia agli utensili collegati alla rete elettrica (con cavo di alimentazione) che agli utensili a batteria (senza cavo).

### 1. AREA DI LAVORO

- Mantenere l'area di lavoro pulita e ben illuminata. Le zone buie ed ingombre di oggetti favoriscono incidenti.
- Non utilizzare l'utensile in presenza di liquidi infiammabili, gas o polvere. Le scintille generate potrebbero infiammare polvere e/o vapore.
- Tenere a distanza bambini e terzi durante il funzionamento. Per una distrazione potreste perdere il controllo dell'utensile.

### 2. SICUREZZA ELETTRICA

- La spina dell'utensile deve essere adatta alla presa utilizzata. Non modificare la spina in alcun modo. Non utilizzare adattatori con gli utensili collegati a terra. L'impiego di una spina integra ed una presa adatta riduce i rischi di folgorazione.
- Evitare di toccare con il corpo le superfici collegate a terra quali tubi, radiatori, forni e frigoriferi. Il rischio di folgorazione aumenta se il corpo è collegato a terra.
- Non esporre l'utensile alla pioggia e all'umidità. La penetrazione d'acqua nell'utensile aumenta il rischio di folgorazione.
- Non utilizzare il cavo per scopi diversi da quello previsto. Non utilizzare il cavo per trasportare o tirare l'utensile, oppure per staccare la spina dalla presa. Tenere il cavo lontano da fonti di calore, olio, parti appuntite o in movimento. Cavi danneggiati o attorcigliati aumentano il rischio di folgorazione.
- Se l'utensile viene utilizzato all'aperto, usare una prolunga adatta all'uso esterno. L'impiego di una prolunga da esterno reduce il rischio di folgorazione.
- Se il lavoro in un ambiente umido è strettamente necessario, utilizzare una presa protetta da dispositivo a corrente residua. Ciò reduce i rischi di scosse.

### 3. SICUREZZA PERSONALE

- L'uso di elettrooutensili richiede attenzione e buon senso. Non utilizzare gli utensili se si è stanchi o sotto l'effetto di droghe, alcol o medicinali. Una breve disattenzione può provocare gravi danni alle persone.
- Munirsi di indumenti e dispositivi di protezione. Indossare sempre occhiali da lavoro. L'uso di dispositivi di protezione tra cui mascherina antipolvere, scarpe antiscivolo, casco e protezioni per l'udito riduce il rischio di danni a persone.

- Evitare l'accensione accidentale. Accertarsi che l'interruttore sia in posizione "OFF" prima di inserire la spina. Se si trasportano gli utensili con il dito sull'interruttore o si inserisce la spina nella presa con l'interruttore in posizione "ON" aumenta il rischio di incidenti.
- Togliere tutte le chiavi di regolazione prima di accendere l'utensile. Una chiave lasciata inserita in una parte rotante di un utensile può provocare danni a persone.
- Non utilizzare l'utensile in condizioni estreme. Mantenere sempre l'equilibrio ed i piedi ben appoggiati a terra. Questo consente un maggior controllo dell'utensile in caso di imprevisti.
- Indossare un abbigliamento adeguato. Non indossare abiti svolazzanti o gioielli. Tenere capelli, vestiti, e guanti lontani dalle parti in movimento. Abiti svolazzanti, gioielli o capelli potrebbero impigliarsi nelle parti in movimento.
- In presenza di apparecchiature per il collegamento a dispositivi di aspirazione e raccolta delle polveri, accertarsi che essi siano collegati ed utilizzarli correttamente. L'uso di queste apparecchiature può ridurre i rischi causati dalla polvere.

### 4. USO E MANUTENZIONE DELL'UTENSILE

- Utilizzare l'utensile più adatto per il lavoro da svolgere. L'impiego dell'utensile giusto migliora la qualità del lavoro e la sicurezza.
- Non utilizzare l'utensile se non è possibile accenderlo e spegnerlo con l'apposito interruttore. Gli utensili che non possono essere controllati con l'interruttore sono pericolosi e devono essere riparati.
- Staccare la spina dall'alimentazione di corrente prima di eseguire regolazioni, cambiare accessori o riporre l'utensile. Osservando queste precauzioni si riduce il rischio di accensione accidentale dell'utensile.
- Riporre gli utensili non utilizzati fuori dalla portata dei bambini e non consentirne l'utilizzo a persone che non conoscono l'utensile o queste istruzioni. Nelle mani di persone inesperte gli utensili possono diventare pericolosi.
- Sottoporre l'utensile a manutenzione. Verificare il corretto allineamento di tutte le parti mobili, controllare che non siano grippate e che non vi siano rotture o altri guasti che potrebbero influire sul funzionamento dell'utensile. Far riparare gli utensili danneggiati prima di riutilizzarli. Molti incidenti sono causati da utensili in pessime condizioni.
- Tenere le punte e gli strumenti da taglio puliti ed affilati. Se sottoposti ad una regolare manutenzione e pulizia consentono di lavorare in modo più preciso e sono maggiormente controllabili.
- Utilizzare l'utensile, gli accessori, gli attrezzi etc. secondo quanto indicato in queste istruzioni nonché tenendo in considerazione le condizioni di lavoro e il lavoro da eseguire. L'impiego di utensili per scopi diversi da quelli per cui sono stati progettati può dare origine a situazioni pericolose.

### 5. MANUTENZIONE

- Far riparare l'utensile da personale qualificato che utilizzi solo parti di ricambio originali. In caso contrario la sicurezza dell'utensile potrebbe risultare compromessa.



## IV - Regole supplementari di sicurezza nel lavoro con pialle elettriche

- **Prima di adagiare l'elettrotensile aspettare sempre che il cilindro portacoltelli si sia arrestato. La parte aperta tagliente della pialla, che gira, potrebbe incastarsi in qualche superficie, provocando così la perdita di controllo ed un grave infortunio.**
- **Quando si eseguono lavori in cui vi è pericolo che l'accessorio impiegato possa arrivare a toccare cavi elettrici nascosti oppure anche il cavo elettrico della macchina stessa, tenere l'elettrotensile afferrandolo sempre alle superfici di impugnatura isolate. Un contatto con un cavo elettrico mette sotto tensione anche le parti in metallo dell'elettrotensile e provoca quindi una scossa elettrica.**
- **Usare staffe o altro modo conveniente per fissare il pezzo da lavorare ad una base stabile. Tenere il materiale lavorato con la mano o contro il corpo risulta instabile e potrebbe provocare la perdita di controllo.**
- Portare sempre occhiali protettivi e cuffie antirumore, e usare maschera antipolvere.
- Per ovviare all'eventuale surriscaldamento, svolgere sempre completamente il cavo di prolunga con rocchetto.
- Quando si deve usare una prolunga, accertarsi che la sua sezione corrisponda alla corrente nominale dell'elettrotensile usato, nonché dello stato di efficienza della prolunga.
- Dopo un lavoro continuativo le parti metalliche esterne e gli accessori potrebbero arroventarsi.
- Disinserire sempre l'elettrotensile prima di posarlo in disparte.
- Non sovraccaricare l'elettrotensile – lasciarlo funzionare ad una velocità ragionevole. Sovraccarico può avvenire se si esercita una pressione eccessiva, allora il motore elettrico comincerà a rotare più lentamente e di conseguenza l'efficienza sarà ridotta, ed è probabile un danneggiamento del motore stesso.
- Sempre quando è possibile, usare un sistema di depolverizzazione.
- Non è ammessa la presenza nell'area di lavoro di stracci, panni, stoppa, spago, cordone o simili.
- Prima di cominciare il lavoro rimuovere dal pezzo da lavorare tutti i chiodi, viti o altri corpi estranei. Imbatendosi in un chiodo o altro corpo metallico, si potrebbero rovinare i coltelli e l'elettrotensile, e quindi si potrebbe provocare un infortunio sul lavoro.
- Stare molto cauti nel tenere i coltelli.
- Prima di cominciare il lavoro accertarsi che le viti per il fissaggio dei coltelli siano serrate bene.
- Tenere l'elettrotensile saldamente con entrambe le mani.
- Guardarsi dal toccare con le mani le parti moventi.
- Prima di cominciare il lavoro con l'elettrotensile, lasciarlo funzionare per qualche tempo a vuoto. Stare attenti per la presenza di vibrazioni, le quali indicherebbero cattivo montaggio o lame bilanciate male.
- Nell'inserire l'elettrotensile accertarsi che nessun coltello si trova in contatto con la superficie lavorata.
- Aspettare finché le lame raggiungano la piena velocità, prima di cominciare a piallare.
- Tenere l'elettrotensile durante il lavoro ad un minimo di 200 mm dal viso e dal corpo.

- Disinserire sempre l'elettrotensile ed aspettare finché le lame si arrestino completamente, prima di fare qualsiasi aggiustaggio.
- Non mettere mai le dita sullo scivolo per i trucioli. Esse potrebbero incepparsi nello scivolo, quando si taglia legno umido. Portare via i trucioli con una stecca, ma solo quando la macchina è disinserita e la sua spina è staccata dalla presa.
- Non lasciare l'elettrotensile a funzionare senza essere sorvegliato. Lavorare con esso soltanto quando è controllato con ambedue le mani.
- Nel posare la pialla disinserirla e appoggiarla su un blocchetto di legno con la sua base anteriore in alto, di modo che i coltelli non tocchino niente.
- Sostituire sempre i tre coltelli nello stesso tempo, altrimenti il risultante sbilanciamento causerà instabilità e ridurrà la vita dei coltelli e dell'elettrotensile.



**ATTENZIONE:** Prima di innestare l'elettrotensile alla rete di alimentazione (presa, portalampada) accertarsi che la tensione di alimentazione sia la stessa come quella riportata sulla targhetta dati tecnici dell'elettrotensile. Tensione di alimentazione superiore alla nominale, può causare seri traumi all'utente, nonché un guasto alla macchina.

- Se non si è certi circa la tensione, non inserire l'elettrotensile.
- Se la tensione è inferiore a quella nominale, il motore elettrico si guasterà.
- Usare l'elettrotensile soltanto secondo la sua destinazione d'uso. Qualsiasi altro impiego, differente da quello descritto in questo manuale di istruzioni, verrà considerato erroneo. La responsabilità per qualsiasi guasto o ferimento che risulta da uso erroneo, cadrà sull'utente, e non sul fabbricante.
- Per sfruttare correttamente questo elettrotensile, si devono rispettare le regole di sicurezza, le istruzioni generali, e le istruzioni di funzionamento qui riportate. Tutti gli utenti devono conoscere queste istruzioni di servizio ed essere informati dei potenziali rischi nel lavoro con l'elettrotensile. Bambini e persone fisicamente deboli non devono usare l'elettrotensile. I bambini devono essere sotto continua sorveglianza se si trovano vicino ad un luogo dove si lavora con l'elettrotensile. È obbligatorio prendere anche precauzioni di sicurezza. Lo stesso concerne pure l'osservanza delle regole principali relative alla salute e alla sicurezza sul posto di lavoro.
- Il fabbricante non sarà tenuto responsabile per modifiche apportate dall'utente all'elettrotensile, o per guasti causati da tali modifiche.

Persino quando l'elettrotensile viene usato secondo la sua destinazione d'uso, è impossibile eliminare tutti i fattori di rischio residui. I pericoli enumerati qui sotto potrebbero insorgere in relazione alle caratteristiche strutturali e al disegno tecnico dell'elettrotensile.

- Problemi con l'udito, se non sono adoperate precauzioni efficienti.
- Disinserire sempre la spina dalla presa prima di riparare o riaggiustare l'elettrotensile, anche quando vengono sostituite le lame, o viene regolata la profondità di piallatura.
- Contatto con le lame.

- Penetrazione nell'area di lavoro sotto la base con la macchina in funzione.
- Colpo di rimbalzo (contraccolpo) del materiale lavorato o di frammenti di esso.
- Rottura di un coltello.
- Dispersione di frammenti di una lama danneggiata.
- Non usare l'elettrotensile all'aperto quando piove, in un ambiente umido (dopo una pioggia), o in vicinanza di liquidi o gas infiammabili. Mantenere il posto di lavoro ben illuminato.

## V - Prendere visione dell'elettrotensile

Prima di cominciare a lavorare con la pialla, prendere conoscenza di tutte le particolarità operative e condizioni di sicurezza.

Impiegare l'elettrotensile e i suoi accessori unicamente secondo la destinazione d'uso. Ogni altro impiego è espressamente vietato.

1. Base anteriore mobile
2. Regolatore per aggiustare la profondità di piallatura
3. Dispositivo per depolverizzazione
4. Interruttore ON/OFF
5. Pulsante di blocco dell'interruttore
6. Impugnatura
7. Sede per tenervi la chiave
8. Coperchio per la cinghia di trasmissione
9. Chiave
10. Sacchetto polvere
11. Cilindro portacoltelli
12. Coltello con affilatura bilaterale
13. Vite di serraggio
14. Sporgenza

## VI - Istruzioni per l'uso

Questo elettrotensile viene alimentato di corrente alternata monofase. Avendo l'isolamento doppio conformemente all'EN 60745 e all'IEC 60745, esso si può innestare in prese senza piattine di massa. I disturbi radio corrispondono alla Direttiva di compatibilità elettromagnetica 2004/108/EC.

### PRIMA DI COMINCIARE IL LAVORO

- Controllare se la tensione della rete elettrica corrisponde a quella indicata sulla targhetta dati tecnici dell'elettrotensile.
- Accertarsi dello stato di efficienza del cavo d'alimentazione e della spina. Se il cavo è danneggiato, la sostituzione deve essere eseguita dal fabbricante o da un suo specialista di centro assistenza, per evitare i pericoli che risulterebbero in seguito alla sostituzione.

## AGGIUSTAGGIO DELLA PROFONDITÀ DI PIALLATURA



**ATTENZIONE:** Accertarsi che l'elettrotensile sia disinserito e che la spina sia disinnestata dalla presa prima di cambiare l'impostazione o di sostituire i coltelli della pialla.

1. Per una piallatura più profonda girare il regolatore per aggiustare la profondità di taglio (2) in senso orario, e per una poco profonda – in senso antiorario (Fig.1).
2. Le cifre sulla scala del regolatore per aggiustare la profondità di piallatura indicano fino a che punto sia aggiustata la pialla.
3. Se è necessario determinare esattamente la profondità di piallatura, trattare un pezzo di legno non utilizzabile, misurare le differenze nello spessore e se necessario, riaggiustare.



**ATTENZIONE:** Quando la pialla non viene usata, accertarsi che il regolatore sia messo alla posizione "0"; in questa posizione il coltello non può pianarsi nel pezzo da lavorare.

## MONTAGGIO E SMONTAGGIO DI COLTELLI



**ATTENZIONE:** Accertarsi che l'elettrotensile è disinserito e disinnestare la spina dalla presa prima di montare o smontare coltelli.

La pialla è munita di coltelli con affilatura bilaterale. I coltelli possono essere invertiti dopo essersi logorati di un lato. Quando entrambi i lati dei coltelli diventano logori, i coltelli devono essere sostituiti.

**N.B.:** I coltelli non possono essere riaffilati.

### SMONTAGGIO DI COLTELLO



**ATTENZIONE:** I coltelli sono molto taglienti. Stare estremamente cauti nel prendere i coltelli.

1. Allentare le tre viti di serraggio (13), usando la chiave (9).
2. Far scivolare il coltello (12) dalla fessura nel cilindro (11) in cui esso si trova (Fig.2).

### MONTAGGIO DI UN COLTELLO

1. Invertire il coltello (12), o se risulta logoro, sostituirlo con un altro nuovo.
2. Prendere il coltello nuovo e metterlo tra la piastra portante ed l'incastellatura.

**N.B.:** La costa lungo il coltello deve essere con la faccia verso il rovescio delle viti di serraggio (13).

3. Stringere le viti uniformemente (13). Stringere per primo le due viti estreme, e alla fine la vite in mezzo.
4. Ripetere le operazioni anche per l'altro coltello.

**N.B.:** Quando i coltelli si usurano, sostituire il set di due coltelli, per prevenire sbilanciamento, vibrazioni pericolose, ed un possibile danneggiamento dell'elettrotensile.



**ATTENZIONE:** Nell'installare i coltelli per prima cosa pulire la segatura incollatasi sul cilindro (11) e sui coltelli stessi. Usare coltelli di dimensioni e peso uguali come quelli originali, altrimenti il cilindro vibrerà. Ciò risulterà in piallatura scadente e probabile guasto alla macchina. Stringere le viti (13) attentamente, quando si attaccano i coltelli alla pialla. L'allentamento di una vite di serraggio è molto pericoloso. Verificare regolarmente se le viti siano ben strette.



**ATTENZIONE:** La pialla è disegnata di funzionare con coltelli ben pareggiati e correttamente serrati nelle loro sedi. Nel montare coltelli nuovi è indispensabile che essi siano immessi a squadra nella sede fino in fondo, e che le loro estremità taglienti siano perfettamente pareggiate, cioè, che siano parallele alla superficie della base posteriore. Solo dopo aver soddisfatto tutte queste condizioni, è ammissibile stringere le viti. Se i coltelli sporgono in fuori, o non sono a squadra, è possibile che raschino la carcassa e che creino serio pericolo per l'operatore o per le persone estranee. Il coltello deve essere centrato nel cilindro portacoltelli.

**N.B.:** La superficie che viene piallata sarebbe ruvida e disuguale, se le viti non fossero messe e strette bene.

Gli esempi riportati di seguito illustrano il montaggio corretto ed erroneo:

- **Piallatura pulita** (Fig.3)
- **Scabrosità sulla superficie** – se la costa di uno o di tutti i coltelli non è parallela alla base posteriore (Fig.4).
- **Cavità all'inizio** – se la costa di uno o di tutti i coltelli non sporge sufficientemente rispetto alla base posteriore (Fig.5).
- **Cavità alla fine** – se la costa di uno o di tutti i coltelli sporge troppo rispetto alla base posteriore (Fig.6).

**N.B.:**

- (a) La base anteriore (parte mobile)
- (b) La base posteriore (parte immobile)



**AVVERTENZA:** Le due viti con esagono interno, segnate con vernice rossa, non vanno regolate. La posizione di queste due viti può essere cambiata soltanto dal fabbricante.

## AVVIAMENTO-ARRESTO



**ATTENZIONE:** Prima di innestare la spina nella presa verificare sempre se l'interruttore (4) ed il pulsante di blocco (5) siano in ordine. Prima di accendere la macchina accertarsi che il cilindro portacoltelli non tocchi nessuna superficie.

1. Innestare la spina nella presa, premere il pulsante di blocco (5) e tirare l'interruttore (4). (Fig. 8)
2. Per arrestare la macchina semplicemente rilasciare l'interruttore (4).
3. Se si desidera rimettere in marcia l'apparecchio, è necessario azionare contemporaneamente il pulsante di blocco (5) e l'interruttore ON/OFF (4). Questo è un momento importante per provvedere una sicurezza nel lavoro con la macchina. (Fig. 9)



**ATTENZIONE:** Tener presente per favore che i coltelli continuano a girare per qualche tempo dopo lo spegnimento della pialla. Aspettare finché il motore elettrico si sia arrestato completamente, prima di posare l'elettrotensile in disparte, per prevenire un danneggiamento dei coltelli o della superficie.

## PIALLATURA

1. Mettere la base anteriore (1) in posizione orizzontale rispetto alla superficie da trattare, senza permettere ai coltelli di toccarla.
2. Inserire l'elettrotensile e aspettare che le lame raggiungano la piena velocità.
3. Muovere attentamente la macchina in avanti, esercitando pressione sulla pialla.
4. Spingere la pialla oltre l'estremità del pezzo da lavorare, senza inclinarla in giù.
5. La velocità di avanzamento della pialla e la profondità di piallatura determinano la qualità del risultato finale. Per un trattamento più ruvido si può aumentare la profondità di taglio. Per un trattamento più fine si deve ridurre la profondità e far avanzare la pialla più lentamente.

**N.B.:** La piallatura sarà più facile se si mette il pezzo da lavorare con una lieve inclinazione diretta in giù e in fuori.



**ATTENZIONE:** L'avanzamento troppo veloce potrebbe peggiorare la qualità della superficie lavorata, danneggiare i coltelli o il motore elettrico. L'avanzamento troppo lento può scottare o peggiorare la qualità della superficie lavorata.

La velocità adatta dipende dal tipo del materiale lavorato e dalla profondità di taglio.

Sperimentare prima con la pialla su un pezzo inutile di materiale, per poter determinare la velocità e la profondità necessarie per lo scopo.



**ATTENZIONE:** Fissare il materiale da lavorare al tavolo da lavoro.

## SMUSSATURA (Fig. 10)

I canali a V nella base mobile anteriore (1) permettono una smussatura veloce e facile. A seconda della larghezza desiderata della smussatura, mettere il rispettivo canale a V sullo spigolo del pezzo da lavorare, e guidare la pialla parallelamente allo spigolo.

## SCARICO DEI TRUCIOLI

1. Mettere il sacchetto polvere (10) nel foro adatto (3).
2. Per un'evacuazione efficace della polvere e dei trucioli si può collegare il dispositivo (3) con un sistema di depolverizzazione o un aspirapolvere. In tale modo si provvede ad un ambiente di lavoro più sicuro e pulito.

## SOSTITUZIONE DELLA CINGHIA DI TRASMISSIONE



**ATTENZIONE:** Accertarsi che l'elettrotensile è disinserito e che la spina è disinnestata dalla presa, prima di cambiare gli aggiustaggi o di sostituire i coltelli della pialla.

1. Per sostituire la cinghia di trasmissione, svitare prima le tre viti a croce, le quali tengono il coperchio della cinghia di trasmissione (8) dalla parte sinistra della pialla, vista da dietro.
2. Togliere la cinghia logora, tirandola fuori dal rullo superiore, girando nello stesso tempo a mano il rullo inferiore. Usare una spazzola soffice, per pulire i rulli e l'area intorno ad essi.

**N.B.:** Indossare occhiali protettivi nel pulire i rulli.

3. I tre profili dritti (continui) ▲ nella parte interna della cinghia devono entrare nelle tre scanalature a "V" dei rulli. Collocare la nuova cinghia nel rullo nuovo. Sistemare l'altra estremità della cinghia intorno al rullo superiore e rotarlo finché sia tesa e cominci a muovere i due rulli.
4. Verificare a mano se la cinghia giri liberamente.
5. Riporre il coperchio e stringere le viti.
6. Innestare la spina nella presa, avviare la macchina per un minuto, per essere certi che il motore elettrico e la cinghia funzionano bene.

## ACCESSORI

Un set di 2 coltelli (montati), sacchetto polvere, chiave.

## VII - Manutenzione



**ATTENZIONE:** Disinserire sempre l'elettrotensile e disinnestare la spina dalla presa prima di effettuare qualsiasi riparazione, ispezione o manutenzione.

Controllare regolarmente che le viti della carcassa siano strette fermamente. Dopo molto tempo di lavoro le viti potrebbero allentarsi a causa delle vibrazioni. Lubrificare regolarmente tutte le parti moventi.

## CONTROLLO GENERALE

Quando le spazzole diventano usurate, tutte e due le spazzole vanno sostituite simultaneamente con spazzole originali in un centro assistenza SPARKY per manutenzione in o fuori garanzia.

Se il cavo di alimentazione viene danneggiato, la sostituzione va effettuata dal fabbricante o da un suo specialista di centro assistenza, per ovviare ai pericoli che risulterebbero in seguito alla sostituzione.

## PULIZIA

Per un lavoro sicuro mantenere sempre puliti l'apparecchio e i fori di ventilazione.

Verificare regolarmente se nella griglia di ventilazione accanto al motore elettrico, o intorno ai commutatori, non siano penetrati polvere o corpi estranei. Usare la spazzola soffice per rimuovere la polvere ammassata. Per proteggere gli occhi durante la pulizia, portare occhiali protettivi.

Se la carcassa dell'apparecchio necessita pulitura, strofinarla con un panno soffice e umido. Si può usare un detergente debole.



**ATTENZIONE:** Non è ammesso l'uso di alcool, benzina o altri solventi. Non usare mai preparati corrosivi per pulire le parti di plastica.



**ATTENZIONE:** Non è ammesso il contatto di acqua con l'apparecchio.

**IMPORTANTE:** Per provvedere a un lavoro sicuro con l'elettrotensile e alla sua affidabilità, tutte le operazioni di manutenzione, riparazione e regolazione (ivi incluse la verifica e la sostituzione delle spazzole) vanno effettuate nei centri assistenza autorizzati SPARKY, con l'impiego soltanto di pezzi di ricambio originali.

## VIII - Garanzia

Il periodo di garanzia per gli utensili SPARKY ha validità a partire dalla data di acquisto ed è conforme alle normative europee.

Non sono coperti da garanzia danni derivanti da usura, sovraccarico o uso improprio.

L'azienda produttrice assicura la sostituzione di tutte le parti non funzionanti in cui si riconoscano difetti di materiale e/o di lavorazione.

Le prestazioni di garanzia saranno erogate solo se la macchina richiesta sarà inviata in condizioni integre al rivenditore o ad un centro di assistenza, accompagnata dallo scontrino fiscale.

## Ulteriori informazioni

Leggere attentamente tutte le istruzioni sull'uso prima di adoperare questo prodotto.

L'azienda produttrice si riserva il diritto di apportare modifiche tecniche senza preavviso.

Le specifiche tecniche possono variare da paese a paese.

## Contenido

I - Introducción .....	35
II - Datos técnicos .....	37
III - Advertencias generales de seguridad de la herramienta .....	38
IV - Normas adicionales de seguridad al trabajar con cepillos eléctricos.....	39
V - Conocimiento de la herramienta eléctrica .....	40
VI - Instrucciones de trabajo .....	40
VII - Mantenimiento .....	42
VIII - Garantía.....	43

### DESEMBALAJE

Debido a la moderna tecnología de producción en masa, es poco probable que su herramienta sea defectuosa o que falte una pieza. Si encuentra algo mal, no trabaje con la herramienta hasta que se haya puesto la pieza o se haya arreglado la avería. El incumplimiento de esta indicación puede provocar un grave daño personal.

### ENSAMBLAJE

El cepillo P 160 se suministra envasado y completamente ensamblado, salvo el saco colector de polvo.

## I - Introducción

Su nueva herramienta SPARKY satisfará totalmente sus expectativas. Ha sido fabricada conforme a las exigentes Normas de calidad de SPARKY para cumplir los más elevados requisitos de funcionamiento. Su nueva herramienta es fácil y segura de manejar y, con el debido cuidado, le dará muchos años de servicio fiable.



#### AVISO!

Lea detenidamente todo el Manual de instrucciones antes de usar su nueva herramienta SPARKY. Preste especial atención a los **Avisos**. Su herramienta SPARKY tiene muchas funciones que harán más rápido y seguro su trabajo. La seguridad, el funcionamiento y la fiabilidad son las mayores prioridades del desarrollo de esta herramienta, lo que la hace fácil de mantener y manejar.



#### No tire los productos eléctricos a la basura!

Los productos eléctricos no se deben tirar a la basura. Por favor recicelos en el lugar adecuado. Póngase en contacto con su ayuntamiento o con una empresa de reciclaje.



#### PROTECCIÓN MEDIOAMBIENTAL

El aparato, sus accesorios y embalaje deberán separarse para reciclarse cada uno por su lado. Los componentes de plástico llevan una etiqueta del tipo de reciclado.

## DESCRIPCIÓN DE LOS SÍMBOLOS

La placa de su herramienta puede contener símbolos, que representan información importante sobre el producto o instrucciones de uso.



Llévense máscaras de protección.



Llévense auriculares de protección.  
Llévense gafas de protección.



Doble aislamiento de protección adicional



Conexión a una aspiradora



Conformidad con las directrices europeas aplicables



Compatible con los requisitos de los documentos normativos rusos



Compatible con los requisitos de los documentos normativos ucranianos



Conozca las instrucciones de explotación

YYYY-Www

Período de producción en que los símbolos variables son:  
YYYY - año de producción, ww – semana natural consecutiva

P

CEPILLO

## II - Datos técnicos

Modelo:	P 160
Potencia:	450 W
Velocidad nominal:	16000 min <sup>-1</sup>
Profundidad de cepillado:	0-1.5 mm
Anchura de cepillado:	60 mm
Peso (Procedimiento EPTA 01/2003):	1.8 kg
Clase de protección (EN 60745) 	II

### Información sobre el ruido y las vibraciones

**Emisión de ruido** (los valores se han medido conforme a EN 60745):

A-nivel medido de presión acústica L <sub>PA</sub>	83 dB(A)
Indeterminación K <sub>PA</sub>	3 dB
A-nivel medido de potencia acústica L <sub>WA</sub>	94 dB(A)
Indeterminación K <sub>WA</sub>	3 dB



**¡Utilídense medios de protección contra el ruido!**

**Emisión de vibraciones** (determinadas conforme al apartado 6.2.7 de EN 60745-1):

*Valor total de las vibraciones (suma vectorial por los tres ejes) determinada conforme a EN 60745*

Valor de las vibraciones emitidas a <sub>v</sub>	3 m/s <sup>2</sup>
Indeterminación K	1.5 m/s <sup>2</sup>

El nivel de emisión indicado en la presente información ha sido medido de acuerdo con un ensayo estandarizado recogido en EN 60745 y puede usarse para comparar una herramienta con otra. Puede utilizarse para un informe preliminar de exposición.

El nivel de emisión de vibraciones declarado se aplica a las principales aplicaciones de la herramienta. De todos modos, si la herramienta se utiliza para aplicaciones diferentes, con accesorios diferentes o pobremente mantenida, la emisión de vibraciones puede variar. Esto puede aumentar significativamente el nivel de exposición durante el tiempo total de trabajo.

Una estimación del nivel de exposición a la vibración también debería tener en cuenta el tiempo en que la máquina está apagada o cuando está en marcha, pero no trabajando. Esto puede reducir de forma importante el nivel de exposición durante el tiempo total de trabajo.

Mantenga la herramienta, los accesorios y sus propias manos calientes mientras trabaje con el taladro, con el fin de reducir el doloroso efecto de las vibraciones.

Polvos de materiales como por ejemplo pinturas que contienen plomo, ciertos tipos de madera, minerales y meta II pueden ser nocivos para la salud. El contacto o la inhalación de los polvos puede provocar reacciones alérgicas y/o problemas de respiración del usuario o personas que se encuentren en su cercanía.

Ciertos polvos como polvo de roble o encina se consideran cancerígenos, especialmente en combinación con aditivos para el tratamiento de madera (cromato, agentes de protección de madera). Materiales con asbesto solamente deben ser tratados por personas especializadas.

- Si posible, utilice un dispositivo de aspiración de polvo.
- Para obtener un alto grado de colección de polvo durante el trabajo con esta herramienta eléctrica use una aspiradora adecuada para polvo de madera y polvo mineral.
- Mantenga bien ventilado el lugar de trabajo.
- Se recomienda llevar una máscara de protección de polvo con clase de filtro P2.

Respete los reglamentos vigentes en su país para los materiales a tratar.

### III - Advertencias generales de seguridad de la herramienta

**!** **AVISO!** Lea todos los avisos de seguridad y todas las instrucciones. El hecho de no seguir los avisos e instrucciones puede provocar una descarga eléctrica, fuego y/o un daño grave.

Guarde en lugar seguro todos los avisos e instrucciones para futuras consultas.

El término "herramienta" de los avisos se refiere a su herramienta eléctrica con cable o a batería.

#### 1. SEGURIDAD DE LA ZONA DE TRABAJO

- a) Mantenga limpia y bien iluminada su zona de trabajo. Las zonas sucias u oscuras pueden provocar accidentes.
- b) No trabaje con la herramienta en ambientes explosivos, como en presencia de líquidos inflamables, gases o polvo. Las herramientas producen chispas que pueden provocar la ignición del polvo o de los gases.
- c) Las distracciones pueden provocar pérdidas de control.

#### 2. SEGURIDAD ELÉCTRICA

- a) Los enchufes de la herramienta tienen que coincidir con la toma de corriente. No utilice adaptadores con herramientas en contacto con el suelo (enterradas). Los enchufes y tomas sin modificar reducirán el riesgo de descarga eléctrica.
- b) Evite el contacto corporal con superficies con contacto a tierra, como tuberías, radiadores, cocinas y frigoríficos. Hay un aumento del riesgo de descarga eléctrica si su cuerpo está en contacto con el suelo o enterrado.
- c) No exponga las herramientas a la lluvia o a la humedad. Si entra agua en la herramienta se aumentará el riesgo de descarga.
- d) No haga un uso indebido del cable. No utilice nunca el cable para llevar, tirar de o desconectar la herramienta. Mantenga el cable lejos del calor, de aceites, bordes afilados o piezas sueltas. Los cables dañados o enredados aumentan el riesgo de descarga eléctrica.
- e) Cuando trabaje con la herramienta al aire libre, utilice una alargadera apropiada para uso al aire libre. Utilizar un cable para exteriores reduce el riesgo de descarga eléctrica.
- f) Si es inevitable trabajar con la herramienta en un sitio húmedo, utilice un dispositivo de corriente residual (RCD) protegido. Utilizar un RCD reduce el riesgo de descarga eléctrica.

#### 3. SEGURIDAD PERSONAL

- a) Permanezca atento a lo que está haciendo y haga caso del sentido común cuando trabaje

con una herramienta. No utilice la herramienta cuando esté cansado o bajo la influencia de las drogas, el alcohol o de medicación. Una pequeña falta de atención cuando se está trabajando con herramientas puede provocar un grave daño personal.

- b) Utilice equipos de protección personal. Lleve siempre un protector para los ojos. El equipamiento de protección, como mascarilla, zapatos de seguridad antideslizantes, casco o protección para los oídos, utilizado correctamente, reducirá los daños personales.
- c) Evite el arranque accidental. Al coger o llevar la herramienta, asegúrese de que el interruptor esté en la posición de apagado antes de conectar la herramienta a la red eléctrica o de poner la batería. Llevar las herramientas con el dedo en el interruptor o activar las herramientas con el interruptor encendido puede provocar accidentes.
- d) Retire las llaves de ajuste antes de encender la herramienta. Dejar una llave cerca de una pieza rotatoria de la herramienta puede provocar un daño personal.
- e) No se precipite. Mantenga los pies y la posición correcta en todo momento. Esto posibilita un mejor control de la herramienta en situaciones inesperadas.
- f) Lleve la ropa apropiada. No lleve ropa suelta o joyas. Mantenga el cabello, la ropa y los guantes lejos de piezas móviles. La ropa suelta, las joyas o el pelo largo pueden resultar atrapados por piezas móviles.
- g) Si las herramientas están equipadas para conectar el extractor de polvo y dispositivos de recoger el polvo, asegúrese de que estén conectados y se usen correctamente. El uso del dispositivo de recogida de polvo puede reducir el riesgo ocasionado por el mismo.

#### 4. USO Y CUIDADO DE LA HERRAMIENTA

- a) No fuerce la herramienta. Utilice la herramienta adecuado para cada aplicación. La herramienta correcta hará mejor y más seguro el trabajo para el que fue diseñada.
- b) No utilice la herramienta si el interruptor no la enciende y apaga. Toda herramienta que no pueda controlarse con el interruptor es peligrosa y deberá ser reparada.
- c) Desconecte el enchufe de la toma de corriente y/o la batería de la herramienta antes de hacer cualquier ajuste, cambio de accesorios o guardar las herramientas. Tales medidas preventivas de seguridad reducen el riesgo de encenderse accidentalmente la herramienta.
- d) Mantenga las herramientas que no utilice fuera del alcance de los niños y no permita manejar la herramienta a personas que no estén familiarizadas con la herramienta, o que no conozcan las instrucciones. Las herramientas



son peligrosas en manos de personas no familiarizadas con su uso.

- e) **Teniendo en cuenta las condiciones de trabajo y el trabajo a realizar.** Utilizar la herramienta para acciones diferentes a las de su uso prescrito puede provocar situaciones peligrosas.

## 5. SERVICIO TÉCNICO

- a) **Encargue el mantenimiento de su herramienta a una persona cualificada y utilice siempre recambios originales.** Esto garantizará que se mantenga la seguridad de la herramienta.

## IV - Normas adicionales de seguridad al trabajar con cepillos eléctricos

- Antes de dejar la herramienta eléctrica, espere siempre que el tambor de cuchillas quede en reposo. La parte cortante del cepillo al descubierto puede entallarse en una superficie, provocando con ello la pérdida de control y un grave accidente.
- En caso de que exista una posibilidad potencial de que el accesorio cortante roce con una instalación eléctrica oculta o con el cable de alimentación, sujete la herramienta eléctrica sólo por las superficies de sujeción aisladas. El roce del accesorio con un cable bajo tensión expondrá las piezas metálicas de la herramienta eléctrica bajo tensión que están al descubierto, y el operador podrá sufrir un choque eléctrico.
- Utilice abrazaderas de fijación u otra forma apropiada para fijar el material en procesamiento a una base sólida. La sujeción del material en procesamiento con la mano o hacia su cuerpo es inestable y puede provocar la pérdida de control.
- Lleve siempre gafas de protección y antifonos, y utilice una careta antipolvo.
- Para evitar un posible sobrecalentamiento, desenrosque siempre hasta el tope el cable del prolongador con tambor de cable.
- Cuando sea necesario utilizar un prolongador, cerciórese de que su sección corresponde a la corriente eléctrica nominal de la herramienta eléctrica que está utilizando, así como del buen estado del prolongador.
- Después de una operación continua, las piezas metálicas externas y los accesorios pueden llegar a sobrecalentarse.
- Desconecte siempre la herramienta eléctrica antes de dejarla aparte.
- No sobrecargue la herramienta eléctrica y déjela funcionar a una velocidad razonable. Se produce una sobrecarga al ejercer presión excesiva, con lo cual el motor eléctrico empezará a girar más lentamente, y, como resultado de ello, disminuirá la efectividad, haciendo probable una avería del motor eléctrico.
- Siempre que sea posible, utilice un sistema de evacuación del polvo.
- No se admite que en el área de operación haya tra-

pos, estropajos, estopa, bramante, cordones, etc.

- Antes de empezar a operar, retire de la pieza en procesamiento todos los clavos, tornillos y otros objetos ajenos. Al entallarse en un clavo u otro cuerpo metálico, pueden averiarse las cuchillas y la herramienta eléctrica, lo cual es una premisa de accidente de trabajo.
- Sea sumamente cauteloso al asir las cuchillas.
- Antes de empezar a operar, cerciórese de que los tornillos de sujeción de las cuchillas están bien atados.
- Sostenga la herramienta eléctrica firmemente con ambas manos.
- Proteja sus manos de las piezas móviles.
- Antes de empezar a operar con la herramienta eléctrica, póngala en funcionamiento durante cierto tiempo en marcha en vacío. Observe si hay vibraciones que indiquen un mal ensamblaje o una nivelación incorrecta de las cuchillas.
- Al conectar la herramienta eléctrica, cerciórese de que ninguna cuchilla esté en contacto con la superficie procesada.
- Espere hasta que las cuchillas alcancen una plena velocidad antes de empezar a cepillar.
- Durante la operación, mantenga la herramienta eléctrica a una distancia mínima de 200 mm de su cara y de su cuerpo.
- Desconecte siempre la herramienta eléctrica y espere hasta que las cuchillas se detengan totalmente antes de emprender cualquier ajuste.
- Nunca coloque el dedo en el canalón de virutas, ya que las virutas se pueden acufiar en este canalón cuando se esté cortando material de madera húmedo. Retire las virutas con una varilla, pero sólo cuando la máquina esté desconectada y el enchufe haya sido retirado de la toma de corriente.
- No deje funcionar la herramienta eléctrica sin vigilarla. Opere con ella sólo cuando la esté controlando con ambas manos.
- Al dejar el cepillo, desconéctelo y apóyelo en un tarugo de madera, con su base delantera hacia arriba, de modo que las cuchillas no toquen nada.
- Recambie siempre las tres cuchillas simultáneamente. De lo contrario, el desequilibrio resultante conducirá a una inestabilidad y reducirá la vida de las cuchillas, así como la de la propia herramienta eléctrica.



**ADVERTENCIA:** Antes de conectar la herramienta eléctrica a la red de alimentación (toma de corriente, portabombillas, buje), cerciórese de que el voltaje de alimentación es idéntico al indicado en la placa de características técnicas de la herramienta eléctrica. Un voltaje de alimentación superior al nominal puede ocasionar graves traumas al usuario, así como averiar la máquina.

- En caso de no estar seguro respecto al voltaje, no conecte la herramienta eléctrica.
- En caso de que el voltaje sea inferior al nominal, el motor eléctrico sufrirá una avería.
- La herramienta eléctrica debe utilizarse sólo según el fin con que ha sido concebida. Se considera uso



incorrecto cualquier otro uso diferente al que se describe en estas instrucciones. La responsabilidad por cualquier avería o daño, derivados del uso incorrecto, no se asumirá por el fabricante, sino por el usuario.

- Para explotar correctamente esta herramienta eléctrica, se deben respetar las normas de seguridad, las instrucciones generales y las indicaciones de operación señaladas aquí. Cada usuario debe conocer estas instrucciones de explotación e informarse acerca de los potenciales riesgos al operar con la herramienta eléctrica. No deben utilizar esta herramienta eléctrica niños ni personas físicamente débiles. Los niños deben estar bajo vigilancia continua si se encuentran cerca del lugar donde se opera con la herramienta eléctrica. Es obligatorio adoptar asimismo medidas de seguridad preventivas. Esto se refiere también al cumplimiento de las principales normas de salud profesional y seguridad.
- El fabricante no asume responsabilidad por las modificaciones en la herramienta eléctrica que hayan sido efectuadas por el usuario ni por las averías que se derivan de estas modificaciones.

Incluso cuando la herramienta eléctrica se utiliza según el fin con que ha sido concebida, es imposible eliminar todos los factores residuales de riesgo. Los peligros que se enumeran a continuación pueden surgir con relación a las peculiaridades constructivas y al diseño de la herramienta eléctrica

- Si no se adoptan medidas de protección efectivas, pueden surgir problemas de carácter auditivo.
- Desconecte siempre el enchufe de la toma de corriente antes de reparar o reajustar la herramienta eléctrica, incluso cuando se recambien las cuchillas o se regule la profundidad de cepillado.
- Cuando se tocan las cuchillas.
- Al penetrar en la zona de operación, debajo de la base, mientras funcione la máquina.
- Al rebotar (producirse un golpe contrario) de la pieza en procesamiento o trozos de ésta.
- Al romperse una cuchilla.
- Al desprenderse trozos de la cuchilla averiada.
- La herramienta eléctrica no debe utilizarse al aire libre cuando esté lloviendo, en un entorno húmedo (después de llover) o cerca de líquidos y gases fácilmente inflamables. El puesto de trabajo debe estar bien iluminado.

## V - Conocimiento de la herramienta eléctrica

Antes de empezar a trabajar con el cepillo, conozca todas las peculiaridades operativas y las condiciones de seguridad. Utilice la herramienta eléctrica y sus accesorios sólo conforme a su destinación. Queda terminantemente prohibida cualquier otra aplicación.

- Base anterior móvil
- Regulador de ajuste de la profundidad de cepillado
- Terminal de evacuación de polvo
- Interruptor
- Botón de bloqueo del interruptor
- Asa

- Lugar para guardar la llave de tuercas
- Tapa de la correa de accionamiento
- Llave de tuercas
- Saco colector de polvo
- Tambor de cuchillas
- Cuchillas afiladas bilateralmente
- Tornillo de apriete
- Dedo

## VI - Instrucciones de trabajo

Esta herramienta eléctrica se alimenta sólo mediante voltaje monofásico alterno. Podrá conectarse a tomacorrientes sin bornes de protección, ya que posee doble aislamiento conforme a EN 60745-1 e IEC 60745. Las radiointerferencias corresponden a la Directiva de Compatibilidad Electromagnética 2004/108/UE.

### ANTES DE EMPEZAR A OPERAR

- Revise si el voltaje de la red de alimentación corresponde al que se indica en la placa de los datos técnicos de la herramienta eléctrica.
- Convéznase en el buen estado del cable de alimentación y del enchufe. Si el cable de alimentación está averiado, la sustitución debe efectuarse por el fabricante o por un técnico de servicio suyo a fin de evitar los peligros que se derivan de la sustitución.

### AJUSTE DE LA PROFUNDIDAD DE CEPILLADO



**ADVERTENCIA:** Cerciórese de que la herramienta eléctrica está desconectada, y que el enchufe ha sido retirado de la toma de corriente, antes de cambiar los ajustes o sustituir las cuchillas del cepillo.

- Para un cepillado más profundo, gire el regulador de ajuste de la profundidad de corte (2) en el sentido de la aguja del reloj, y para un cepillado menos profundo, en el sentido inverso de la aguja del reloj (*Fig. 1*).
- Los números en la escala del regulador de ajuste de la profundidad de cepillado indican el grado de ajuste del cepillo.
- Si es necesario determinar con precisión la profundidad de cepillado, procese un pedazo de madera inútil, mida las diferencias del grosor, y, de ser necesario, haga un nuevo ajuste.



**ADVERTENCIA:** Cuando no se utilice el cepillo, cerciórese de que el regulador esté colocado en la posición "0". En esta posición, la cuchilla no podrá introducirse en la pieza que se está procesando.



## MONTAJE Y DESMONTAJE DE CUCHILLAS



**ADVERTENCIA:** Cerciórese de que la herramienta eléctrica esté desconectada, antes de montar o desmontar las cuchillas, y retire el enchufe de la toma de corriente.

El kit del cepillo incluye cuchillas afiladas bilateralmente. Cuando las cuchillas se desgasten por un lado, deben voltearse y utilizarse por el otro lado. Cuando se desgasten los dos lados de las cuchillas, éstas deben cambiarse.

**OBSERVACIÓN:** Las cuchillas no pueden volver a afilarse.

### DESMONTAJE DE UNA CUCHILLA



**ADVERTENCIA:** Las cuchillas son muy cortantes. Sea sumamente cauteloso al asir las cuchillas.

1. Afloje los cinco tornillos de apriete (13), utilizando la llave de tuercas (9).
2. Deslice la cuchilla (12) desde el intersticio hacia el cilindro (11) donde ésta se encuentra (Fig.2).

### MONTAJE DE UNA CUCHILLA

1. Voltee la cuchilla (12) o, si está desgastada, cámbiela por una nueva.
2. Coja la cuchilla nueva y colóquela entre el portador y el soporte.

**OBSERVACIÓN:** El borde a lo largo de la cuchilla debe estar de cara hacia el lado opuesto de los tornillos de apriete (13).

3. Apriete uniformemente los tornillos (13). Primero, apriete los dos tornillos más externos, y, finalmente, apriete el tornillo del medio.
4. Repita estas operaciones también con las otras dos cuchillas.

**OBSERVACIÓN:** Cuando las cuchillas se desgasten, se debe sustituir el kit de ambas cuchillas para evitar el desequilibrio, las vibraciones peligrosas y las posibles averías de la herramienta eléctrica.



**ADVERTENCIA:** Cuando se coloquen las cuchillas, primero límpielas de las virutas que se han pegado al cilindro (11) y a las propias cuchillas. Utilice cuchillas de la misma dimensión y peso que las originales. De lo contrario, el cilindro empezará a vibrar. Ello conducirá a un cepillado de mala calidad y a una probable avería de la máquina. Apriete cuidadosamente los tornillos (13) al fijar las cuchillas al cepillo. El alojamiento de un tornillo de apriete es sumamente peligroso. Revise regularmente si los tornillos están bien apretados.



**ADVERTENCIA:** El cepillo está diseñado para poder operar con cuchillas que estén bien niveladas y correctamente atesadas en sus asientos. Al montar nuevas cuchillas, es muy importante que sean introducidas bajo ángulo recto hasta el final, en sus asientos, y sus bordes cortantes deben estar perfectamente nivelados, o sea, paralelamente a la superficie de la base posterior. Apenas después de cumplir todos estos requisitos, se admite apretar los tornillos. Si las cuchillas sobresalen o no se hallan bajo ángulo recto, es posible que arañen el cuerpo y que se cree un peligro grave para el operador y el resto de las personas presentes. La cuchilla debe estar centrada en el tambor de cuchillas.

**OBSERVACIÓN:** Si las cuchillas no se han colocado correctamente y no se han apretado bien, la superficie que se está procesando quedará rugosa y desigual.

Los ejemplos indicados muestran el montaje correcto e incorrecto:

- **Cepillado limpio** (Fig.3)
- **Desigualdades en la superficie:** en caso de que el borde de una o de todas las cuchillas no quede paralelo a la base posterior (Fig.4).
- **Concavidades al principio:** si el borde de una o de todas las cuchillas no sobresale suficientemente respecto a la base posterior (Fig.5).
- **Concavidades al final:** si el borde de una o de todas las cuchillas sobresale demasiado respecto a la base posterior (Fig.6).

**OBSERVACIÓN:**

- (a) Base anterior (parte móvil)
- (b) Base posterior (parte inmóvil)



**ADVERTENCIA:** Los dos tornillos de hexaedro interno marcados con pintura roja no se deben regular. La posición de estos dos tornillos puede modificarse sólo por el fabricante.

### CONEXIÓN – DESCONEXIÓN



**ADVERTENCIA:** Antes de introducir el enchufe en la toma de corriente, verifique siempre si el interruptor (4) y el botón de bloqueo (5) se encuentran en buen estado. Antes de accionar la máquina, cerciórese de que el tambor de cuchillas no toque ninguna superficie.

1. Conecte el enchufe en la toma de corriente, pulse el botón de bloqueo (5) y tire del interruptor (4). (Fig. 8)
2. Para detener la máquina, desbloquee simplemente el interruptor (4).
3. Si desea reiniciar el funcionamiento de la máquina, debe accionar simultáneamente el botón de bloqueo (5) y el interruptor (4). Este es un momento importante para garantizar la seguridad de operación con la máquina. (Fig. 9)



**ADVERTENCIA:** Por favor, preste atención al hecho de que las cuchillas siguen girando durante cierto tiempo después de haber desconectado el cepillo. Espere hasta que el motor eléctrico se detenga completamente antes de dejar la herramienta eléctrica aparte para una prevención de daño de las cuchillas o de la superficie.

## CEPILLADO

1. Coloque la base anterior (1) horizontalmente a la superficie que se va a procesar sin que las cuchillas la toquen.
2. Conecte la herramienta eléctrica y espere hasta que las cuchillas alcancen una velocidad plena.
3. Mueva cuidadosamente la máquina hacia adelante, presionando al principio la parte anterior del cepillo.
4. Empuje el cepillo detrás del borde de la pieza que se está procesando sin inclinarlo hacia abajo.
5. La velocidad de movimiento del cepillo y la profundidad del cepillado determinan la calidad del resultado final. Para un procesamiento más basto, se puede aumentar la profundidad del corte. Para un procesamiento más fino, se debe reducir la profundidad e introducir el cepillo más lentamente.

**OBSERVACIÓN:** El cepillado resultará más fácil, si la pieza procesada se coloca bajo una ligera inclinación hacia abajo y hacia afuera.



**ADVERTENCIA:** La introducción excesivamente rápida del cepillo puede empeorar la calidad de la superficie que se está procesando y averiar las cuchillas o el motor eléctrico. La introducción excesivamente lenta puede quemar o dañar la superficie que se está procesando.

La velocidad apropiada depende del tipo de material que se está procesando y de la profundidad del corte. Haga primero una prueba del cepillo en un trozo de madera inútil para poder determinar la velocidad y la profundidad apropiadas con este propósito.



**ADVERTENCIA:** Fije el material que se está procesando a la mesa de trabajo.

## CORTE DE FACETAS (Fig. 10)

Los canales con abertura en forma de letra «V» en la base anterior móvil (1) permiten extraer chaflanes con rapidez y facilidad. Según la anchura deseada del chaflán, coloque el respectivo canal en forma de letra «V» al borde del material que se está procesando y conduzca el cepillo paralelamente al borde.

## PARA RETIRAR LAS VIRUTAS

1. Coloque el saco colector de polvo (10) en la abertura apropiada (3).

2. Para eliminar eficazmente el polvo y las virutas puede conectar el terminal (3) a un sistema de evacuación del polvo o a una aspiradora. De este modo garantizará un entorno de operación más seguro y más limpio.

## RECAMBIO DE LA CORREA DE ACCIONAMIENTO



**ADVERTENCIA:** Cerciórese de que la herramienta eléctrica está desconectada, y que el enchufe ha sido retirado de la toma de corriente, antes de modificar los ajustes o recambiar las cuchillas del cepillo.

1. Para recambiar la correa de accionamiento, primero desenrosque los tres tornillos con cortes de cruz que sostienen la tapa de la correa de accionamiento (8) por la parte izquierda del cepillo visto desde atrás.
2. Quite la correa desgastada, tirando del rodillo superior mientras esté haciendo girar el rodillo inferior manualmente. Utilice una escobilla suave para limpiar los rodillos y el espacio que los rodea.

**OBSERVACIÓN:** Lleve gafas de protección mientras esté limpiando los rodillos.

3. Los tres perfiles rectos (discontinuos) ▲ por la parte interna de la correa deben entrar en los tres canales «V» de los rodillos. Coloque la nueva correa en el rodillo inferior. Ajuste el otro extremo de la correa alrededor del rodillo superior y gírelo hasta que se estire y accione los dos rodillos.
4. Revise con la mano si la correa gira libremente.
5. Coloque la tapa y atiese los tres tornillos.
6. Coloque el enchufe en la toma de corriente y conecte la máquina durante un minuto para estar seguro de que el motor eléctrico y la correa funcionan correctamente.

## ACCESORIOS

Kit de 2 cuchillas (montadas), saco colector del polvo, llave de tuercas.

## VII - Mantenimiento



**ADVERTENCIA:** Antes de cualquier revisión o mantenimiento, desconecte siempre la herramienta eléctrica y retire el enchufe del tomacorriente.

Revise regularmente si los tornillos del cuerpo están bien apretados. Durante un uso continuo, los tornillos se pueden aflojar por las vibraciones. Lubrique regularmente todas las piezas móviles.

## REVISIÓN GENERAL

Cuando las escobillas se desgasten, ambas deben cambiarse simultáneamente por escobillas originales en un centro de servicio SPARKY de mantenimiento de garantía y fuera de garantía.

Si el cable de alimentación está dañado, su recambio debe efectuarse por el fabricante o por un técnico de servicio suyo para evitar los peligros que se derivan de este recambio.

## LIMPIEZA

Para operar de forma segura, mantenga siempre limpias la máquina y las rejillas de ventilación.

Revise regularmente si en la rejilla de ventilación, cerca del motor eléctrico o en torno a los conmutadores han penetrado polvo o cuerpos ajenos. Utilice una escobilla suave para quitar el polvo acumulado. Durante la limpieza, lleve gafas de protección para proteger sus ojos.

Si el cuerpo de la máquina debe limpiarse, desempólvelo con un paño suave y húmedo. Se puede usar un detergente de limpieza suave.



**ADVERTENCIA:** No se deben emplear alcohol, gasolina u otros disolventes. Nunca utilice detergentes corrosivos para limpiar las piezas de plástico.



**ADVERTENCIA:** El agua no debe entrar en contacto con la máquina.

**IMPORTANTE:** Para garantizar un trabajo seguro con la herramienta eléctrica y su fiabilidad, todas las acciones relativas a la reparación, mantenimiento y regulación (incluida la revisión y el cambio de los cepillos) deberán efectuarse por los centros de servicio autorizados de SPARKY, utilizando sólo piezas de recambio originales.

## VIII - Garantía

El periodo de garantía de las herramientas SPARKY aparece indicado en la hoja de garantía.

Los daños debido a llevar ropa normal, a sobrecargas o manejo indebido se excluirán de la garantía.

Los daños debido al uso de materiales defectuosos, así como a defectos en la hechura serán subsanados libres de gastos por medio de sustitución o reparación.

Se reconocerán las quejas por herramientas SPARKY defectuosas si la máquina se devuelve al distribuidor o si se entrega al servicio autorizado de garantía sin desmontar, en su estado inicial.

## Notas

Lea atentamente todo el manual del uso antes de utilizar este producto.

El fabricante se reserva el derecho a cambiar las especificaciones sin previo aviso.

Las especificaciones pueden ser distintas de país a país.

## Conteúdo

I - Introdução .....	44
II - Especificação técnica .....	46
III - Indicações gerais para a segurança do trabalho com ferramentas eléctricas .....	47
IV - Indicações gerais para a segurança do trabalho com plainas eléctricas .....	48
V - Conhecimento do instrumento eléctrico .....	49
VI - Indicações para o trabalho .....	49
VII - Manutenção .....	51
VIII - Garantia .....	52

### DESEMBALAGEM

De acordo com as tecnologias de produção geralmente utilizadas, é pouco provável o novo instrumento eléctrico que você adquiriu ser ineficiente ou lhe faltar alguma peça. Mesmo assim, se você verificar que qualquer coisa não está bem, não trabalhe com o instrumento, enquanto a peça ineficiente não for substituída, ou a imperfeição não ficar eliminada. O não seguimento desta recomendação é capaz de provocar um acidente de trabalho grave.

### MONTAGEM

A plaina P 160 fornece-se empacotada e completamente montada excepto a bolsa de pó.

## I - Introdução

O novo instrumento eléctrico SPARKY que adquiriu vai ultrapassar as suas expectativas. Ele foi fabricado de acordo com os mais elevados padrões de qualidade da SPARKY, os quais vão de encontro com as exigências mais rigorosas do consumidor. Fácil de manutenção e seguro durante a utilização, sendo correctamente manipulado, este instrumento eléctrico servir-lhe-á fielmente durante muitos anos.

### ATENÇÃO!



Leia atentamente toda a instrução para o uso, antes de começar a trabalhar com o seu novo instrumento eléctrico SPARKY. Preste especial atenção aos textos que começam com a palavra "Atenção". O seu instrumento eléctrico SPARKY possui qualidades que hão de facilitar o seu trabalho. Ao ser fabricado este instrumento eléctrico, maior atenção foi prestada à segurança, às qualidades de exploração e à fiabilidade, as quais fazem dele um instrumento fácil de manutenção e de exploração.



### Não deitar o instrumento eléctrico para o lixo comum!

Os resíduos de aparelhos eléctricos não se devem misturar com o lixo comum. Mande-os para reciclagem nos lugares destinados a isso. Ponha-se em contacto com as autoridades locais ou com um representante para consultar a forma de reciclagem.

### PROTECÇÃO DO MEIO AMBIENTE



Visando a protecção do meio ambiente, o instrumento eléctrico, os seus acessórios e embalagem têm-de-ser submetidos a uma adequada reelaboração para serem novamente utilizadas as matérias primas contidas neles.

Para facilitar a reciclagem, as peças feitas de materiais sintéticos levam a respectiva denotação.

## DESCRIÇÃO DOS SÍMBOLOS

Sobre a chapa com os dados do instrumento eléctrico estão denotados os símbolos especiais que fornecem importante informação sobre o artefacto ou recomendações para o seu uso.



Leve máscara protectora



Leve antífonos protectores.  
Leve óculos protectores



Duplo isolamento para protecção adicional



Conexão com aspirador de pó



Conformidade com as directrizes europeias aplicáveis



ME 77

Conformidade com as exigências dos documentos normativos russos



045

Conformidade com as exigências dos documentos normativos ucranianos



Conheça a instrução de exploração

YYYY-Www

Período de fabrico, onde os símbolos variáveis são:

YYYY - ano de fabrico, ww – a respectiva semana corrente do calendário

P

PLAINA

## II - Especificação técnica

<b>Modelo:</b>	<b>P 160</b>
• <b>Potência:</b>	<b>450 W</b>
• <b>Velocidade nominal:</b>	<b>16000 min<sup>-1</sup></b>
• <b>Profundidade de aplainamento:</b>	<b>0-1.5 mm</b>
• <b>Largura de aplainamento:</b>	<b>60 mm</b>
• <b>Peso (EPTA procedimento 01/2003):</b>	<b>1.8 kg</b>
• <b>Classe de protecção</b> <input type="checkbox"/>	<b>II</b>

### Informação acerca de ruído e vibrações

#### • **Emanação de ruído** (os valores foram determinados de acordo com EN 60745):

A-nível ponderado de pressão sonora L <sub>PA</sub>	83 dB(A)
Ambiguidade K <sub>PA</sub>	3 dB
A-nível ponderado de potência sonora L <sub>WA</sub>	94 dB(A)
Ambiguidade K <sub>WA</sub>	3 dB



Use meios de protecção contra o ruído!

#### • **Emanação de vibrações** (determinadas conforme o p. 6.2.7 de EN 60745-1):

<i>Valor global das vibrações (soma vectorial pelos três eixos), determinado de acordo com EN 60745</i>	
Valor das vibrações emanadas a <sub>v</sub>	3 m/s <sup>2</sup>
Ambiguidade K	1.5 m/s <sup>2</sup>

O nível das vibrações, indicado neste manual, foi determinado com base no teste indicado por EN 60745 e pode ser utilizado para a comparação de instrumentos eléctricos. O nível das vibrações pode ser utilizado para a avaliação prévia do grau de impacto.

O nível das vibrações declarado refere-se à utilização/função principal do instrumento. Caso o instrumento eléctrico seja utilizado para outros fins, ou forem utilizados outros acessórios, ou o instrumento não for bem tratado, o nível das vibrações diferenciar-se-á do declarado. Em tais casos o nível do impacto pode crescer consideravelmente dentro do período laboral total.

Ao avaliar o nível de impacto das vibrações, é preciso considerar também o tempo em que o instrumento está desligado, ou está ligado, mas sem funcionar. Tal pode diminuir consideravelmente o nível do impacto dentro do período laboral total.

Mantenha o instrumento eléctrico e os acessórios em bom estado. Cuide as mãos quentes durante o trabalho – isto vai diminuir o efeito nocivo do trabalho com instrumentos de vibração elevada.

O pó resultante do processamento dos materiais tais como pinturas com conteúdo de chumbo, certos tipos de madeiras, minerais e metais, pode ser nocivo para a saúde. O contacto directo ou a aspiração do pó pode causar reacções alérgicas e/ou doenças das vias respiratórias do trabalhador ou das pessoas que se encontram perto dele.

Alguns tipos de pó, por exemplo o de carvalho ou de faia consideram-se carcinogénicos, sobretudo em combinação com ingredientes utilizados no processamento da madeira, tais como cromado ou conservantes. O material que contém amianto tem de ser processado só por especialistas

- Quando for possível, utilize sistemas para o desvio do pó.
- Para atingir maior grau de captação do pó, ao trabalhar com o instrumento, utilize aspirador de pó.
- Garanta a boa ventilação do local de trabalho.
- Recomenda-se o uso de máscara anti-pó com filtro da classe P2.

Cumpra as regras vigentes no Seu país referentes ao processamento dos diferentes materiais.



### III - Indicações gerais de advertência para ferramentas eléctricas



**ATENÇÃO!** Devem ser lidas todas as indicações de advertência e todas as instruções. O desrespeito das advertências e instruções apresentadas abaixo pode causar choque eléctrico, incêndio e/ou graves lesões.

Guarde bem todas as advertências e instruções para futura referência.

O termo “Ferramenta eléctrica” utilizado a seguir nas indicações de advertência, refere-se a ferramentas eléctricas operadas com corrente de rede (com cabo de rede) e a ferramentas eléctricas operadas com bateria (sem cabo de rede).

#### 1. SEGURANÇA DA ÁREA DE TRABALHO

- Mantenha a sua área de trabalho sempre limpa e bem iluminada. Desordem ou áreas de trabalho insuficientemente iluminadas podem levar a acidentes.
- Não trabalhar com a ferramenta eléctrica em áreas com risco de explosão, nas quais se encontrem líquidos, gases ou pós inflamáveis. Ferramentas eléctricas produzem faíscas, que podem inflamar pós ou vapores.
- Manter crianças e outras pessoas afastadas da ferramenta eléctrica durante a utilização. No caso de distração é possível que perca o controlo sobre o aparelho.

#### 2. SEGURANÇA ELÉCTRICA

- A ficha de conexão da ferramenta eléctrica deve caber na tomada. A ficha não deve ser modificada de maneira alguma. Não utilizar uma ficha de adaptação junto com ferramentas eléctricas protegidas por ligação a terra. Fichas não modificadas e tomadas apropriadas reduzem o risco de um choque eléctrico.
- Evitar que o corpo possa entrar em contacto com superfícies ligadas a terra, como tubos, aquecimentos, fogões e frigoríficos. Há um risco elevado devido a choque eléctrico, se o corpo estiver ligado a terra.
- Manter o aparelho afastado de chuva ou humidade. A infiltração de água numa ferramenta eléctrica aumenta o risco de choque eléctrico.
- Não deverá utilizar o cabo para outras finalidades. Jamais utilizar o cabo para transportar a ferramenta eléctrica, para pendurá-la, nem para puxar a ficha da tomada. Manter o cabo afastado de calor, óleo, cantos afiados ou partes do aparelho em movimento. Cabos danificados ou emaranhados aumentam o risco de um choque eléctrico.
- Se trabalhar com uma ferramenta eléctrica ao ar livre, só deverá utilizar cabos de extensão apropriados para áreas exteriores. A utilização de um cabo de extensão apropriado para áreas exteriores

reduz o risco de um choque eléctrico.

- Se não for possível evitar o funcionamento da ferramenta eléctrica em áreas húmidas, deverá ser utilizado uma disjuntor de corrente de avaria. A utilização de um disjuntor de corrente de avaria reduz o risco de um choque eléctrico.

#### 3. SEGURANÇA DE PESSOAS

- Esteja atento, observe o que está a fazer e tenha prudência ao trabalhar com a ferramenta eléctrica. Não utilizar uma ferramenta eléctrica quando estiver fatigado ou sob a influência de drogas, álcool ou medicamentos. Um momento de descuido ao utilizar a ferramenta eléctrica, pode levar a lesões graves.
- Utilizar equipamento de protecção pessoal e sempre óculos de protecção. A utilização de equipamento de protecção pessoal, como máscara de protecção contra pó, sapatos de segurança antiderrapantes, capacete de segurança ou protecção auricular, de acordo com o tipo e aplicação da ferramenta eléctrica, reduz o risco de lesões.
- Evitar uma colocação em funcionamento involuntária. Assegure-se de que a ferramenta eléctrica esteja desligada, antes de conectá-la a alimentação de rede e/ou ao acumulador, antes de levantá-la ou de transportá-la. Se tiver o dedo no interruptor ao transportar a ferramenta eléctrica ou se o aparelho for conectado a alimentação de rede enquanto estiver ligado, poderão ocorrer acidentes.
- Remover ferramentas de ajuste ou chaves de boca antes de ligar a ferramenta eléctrica. Uma ferramenta ou chave que se encontre numa parte do aparelho em movimento pode levar a lesões.
- Evite uma posição anormal. Mantenha uma posição firme e mantenha sempre o equilíbrio. Desta forma é mais fácil controlar a ferramenta eléctrica em situações inesperadas.
- Usar roupa apropriada. Não usar roupa larga nem jóias. Mantenha os cabelos, roupas e luvas afastadas de partes em movimento. Roupas frouxas, cabelos longos ou jóias podem ser agarrados por peças em movimento.
- Se for possível montar dispositivos de aspiração ou de recolha, assegure-se de que estejam conectados e utilizados correctamente. A utilização de uma aspiração de pó pode reduzir o perigo devido ao pó.

#### 4. UTILIZAÇÃO E MANUSEIO CUIDADOSO DE FERRAMENTAS ELÉCTRICAS

- Não sobrecarregue o aparelho. Utilize a ferramenta eléctrica apropriada para o seu trabalho. É melhor e mais seguro trabalhar com a ferramenta eléctrica apropriada na área de potência indicada.
- Não utilizar uma ferramenta eléctrica com um interruptor defeituoso. Uma ferramenta eléctrica que não pode mais ser ligada nem desligada, é perigosa e deve ser reparada.
- Puxar a ficha da tomada e/ou remover o acumulador antes de executar ajustes no aparelho, de substituir acessórios ou de guardar o aparelho. Esta medida de segurança evita o arranque involun-

tário da ferramenta eléctrica.

- d) Guardar ferramentas eléctricas não utilizadas fora do alcance de crianças. Não permita que pessoas que não estejam familiarizadas com o aparelho ou que não tenham lido estas instruções, utilizem o aparelho. Ferramentas eléctricas são perigosas se forem utilizadas por pessoas inespertas.
- e) Tratar a ferramenta eléctrica com cuidado. Controlar se as partes móveis do aparelho funcionam perfeitamente e não emperram, e se há peças partidas ou danificadas que possam prejudicar o funcionamento da ferramenta eléctrica. Permitir que peças danificadas sejam reparadas antes da utilização. Muitos acidentes têm como causa, a manutenção insuficiente de ferramentas eléctricas.
- f) Manter as ferramentas de corte afiadas e limpas. Ferramentas de corte cuidadosamente tratadas e com cantos de corte afiados emperram com menos frequência e podem ser conduzidas com maior facilidade.
- g) Utilizar a ferramenta eléctrica, acessórios, ferramentas de aplicação, etc. conforme estas instruções. Considerar as condições de trabalho e a tarefa a ser executada. A utilização de ferramentas eléctricas para outras tarefas a não ser as aplicações previstas, pode levar a situações perigosas.

## 5. SERVIÇO

- a) Só permita que o seu aparelho seja reparado por pessoal especializado e qualificado e só com peças de reposição originais. Desta forma é assegurado o funcionamento seguro do aparelho.

## IV - Regras adicionais de segurança do trabalho com plainas eléctricas

- Antes de deixar de lado a ferramenta, sempre espere o tambor das facas ficar parado. A peça cortante da plaina que gira pode penetrar numa superfície causando a perda de controlo e um grave acidente.
- Pegue na ferramenta só pelas superfícies isoladas ao realizar uma operação durante a qual a superfície cortante pode entrar em contacto com instalação eléctrica escondida ou com o próprio cordão. O contacto do dispositivo cortante com cabo sob tensão vai colocar sob tenção as peças metálicas expostas da ferramenta e o operário pode sofrer choque eléctrico.
- Use grampos ou outro modo adequado para fixar o material processado numa base estável. Ao sos-ter o material processado com a mão ou junto do corpo isto é pouco estável e Você pode perder o controlo.
- Leve sempre óculos protectores, antifones e máscara anti-po.
- Para evitar eventual sobre aquecimento desenrole até ao fim o cabo dum extensor com tambor de cabo.
- Quando for necessário usar extensor, convença-se de que a sua secção corresponde à da corrente no-

minal da ferramenta usada, bem como da perfeição do extensor.

- Depois dum trabalho prolongado, as peças metálicas externas e os acessórios podem ficar quentes de mais.
- Sempre desconecte a ferramenta antes de deixá-la de lado.
- Não sobrecarregue a ferramenta – deixe-a trabalhar a velocidade razoável. O sobrecarregamento pode resultar numa pressão exagerada, o que vai atrasar o movimento do motor eléctrico e vai levar a um trabalho ineficiente, bem como a uma eventual avaria do próprio motor eléctrico.
- Sempre quando for possível, use sistema de remoção do po.
- Trapos, roupa, cabos e outros objectos semelhantes não têm de ser deixados ao redor do posto de trabalho.
- Não deixe pregos, parafusos e outros objectos no posto de trabalho. Pode danificar as facas e a própria ferramenta, caso chegar a cortar um prego ou outro objetos inadequado.
- Trabalhe com as facas com extrema cautela.
- Antes de iniciar o trabalho, convença-se de que os parafusos que afixam as facas foram bem apertados.
- Pegue na ferramenta bem com ambas as mãos.
- Cuide as mãos das peças móveis.
- Antes de iniciar o trabalho com a ferramenta eléctrica, deixe-a trabalhar um bocadinho ao ralenti.
- Preste atenção à presença de vibrações que são indicadoras de uma má montagem ou de facas incorretamente equilibradas.
- Convença-se de que a faca não está em contacto com a superfície a ser processada, quando vai conectar a ferramenta na rede eléctrica.
- Espere até as facas atingirem a sua máxima velocidade, antes de iniciar o aplainamento.
- Durante o trabalho, mantenha a ferramenta a uma distância mínima de 200 mm do seu corpo.
- Sempre desconecte a ferramenta e espere até as facas deixarem de girar definitivamente, antes de emprender quaisquer consertos.
- Nunca ponha o dedo sobre a calha de serragem, pois as limalhas podem ficar presas na calha, quando vai cortar madeira húmida. Limpe as limalhas com um pau, mas só quando a ferramenta estiver desconectada e a ficha estiver fora da rede de contacto.
- Não deixe a ferramenta trabalhar sem supervisão. Trabalhe com ela controlando-a com ambas as mãos. No caso contrário pode-se lesionar.
- Sempre substitua ambas as facas ao mesmo tempo. Caso contrário, o desequilíbrio resultante pode levar a uma instabilidade e vai reduzir a vida das facas e da própria ferramenta.



**ADVERTÊNCIA:** Antes de conectar a ferramenta na rede alimentadora (ficha, soquete, receptáculo), convença-se de que a tensão alimentadora corresponde à da indicada na chapa da ferramenta. A tensão alimentadora superior à da nominal é capaz de causar traumas sérias ao usuário, bem como grave avaria à ferramenta.

- Caso não esteja seguro qual é a tensão, não conecte a ferramenta..
- Caso a tensão seja inferior à nominal, o motor eléctrico pode ficar avariado..
- A ferramenta tem de ser usada só para o que for destinada. Qualquer outro uso, diferente do descrito nesta instrução, considerará-se-á uso incorrecto. A responsabilidade por qualquer avaria ou lesão em resultado do uso incorrecto será assumida pelo usuário e não pelo fabricante.
- Para explorar correctamente esta ferramenta, tem de observar as regras de segurança, as instruções gerais e as indicações para o trabalho aqui assinaladas. Todos os usuários têm de conhecer esta instrução de exploração e informar-se sobre os riscos potenciais ao trabalhar com a ferramenta eléctrica. Crianças e pessoas de físico débil não têm de usar a ferramenta. As crianças têm de ficar sob uma constante vigilância quando se encontram perto do lugar onde se trabalha com a ferramenta. É indispensável serem tomadas também medidas preventivas de segurança. O mesmo refere-se à observância das regras principais de saúde profissional e segurança. O fabricante não assume a responsabilidade pelas alterações na ferramenta, feitas pelo usuário, ou pelos danos causados em resultado de tais alterações.

Mesmo quando a ferramenta for usada de acordo com a sua destinação, fica impossível eliminar todos os factores residuais que constituem risco.

Os perigos abaixo enumerados podem surgir em relação com as especificidades construtivas e o design da ferramenta.

- Problemas de audição, caso não sejam tomadas medidas eficientes de precaução.
- Sempre desconecte a ficha da rede, antes de emprender qualquer reparação ou configuração da ferramenta, mesmo quando vai mudar as facas ou vai regular a profundidade do aplainamento.
- Contacto com as facas.
- Penetração na zona operacional debaixo do fundamento duma ferramenta que funciona.
- Ricochete do material operacional ou duma parte de ele.
- Fractura de faca.
- Ricochete de pedaços duma faca danificada.
- A ferramenta eléctrica não tem de ser usada ao ar livre ou em tempo de chuva, num ambiente húmido (depois de chuva) ou perto de líquidos e gases facilmente inflamáveis. O lugar de trabalho tem de ser bem iluminado.

## V - Conhecimento da ferramenta eléctrica

Antes de iniciar o trabalho com a plaina, informe-se sobre todas as suas especificidades operacionais e as condições de segurança. Use a ferramenta e seus acessórios só para o que forem destinados. Qualquer outro uso fica terminantemente proibido.

1. Base frontal móvel.
2. Regulador de configuração da profundidade de aplainamento

3. Bico de remoção do po
4. Interruptor
5. Botão de bloqueio do interruptor.
6. Manipula
7. Espaço de armazenamento da chave inglesa
8. Tampa da correia de transmissão
9. Chave inglesa
10. Saquinha de po
11. Tambor de faca
12. Faca de dupla afiação
13. Parafuso de fixação
14. Polegar

## VI - Indicações para o trabalho

Esta ferramenta eléctrica alimenta-se por tensão monofásica variável. Tem duplo isolamento que vai de encontro com EN 60745 e IEC 60745 e pode ser conectado com plugues sem terminais de protecção. As interferências de rádio vão de encontro com a Directriz de conformidade electromagnética 2004/108/CE.

### ANTES DE INICIAR O TRABALHO

- Revise se a tensão na rede eléctrica corresponde à da indicada na chapa dos dados técnicos da ferramenta.
- Convença-se da perfeição do cabo alimentador e da ficha. Caso o cabo alimentador estiver danificado, a substituição tem de ser feita pelo fabricante, i.e. pelo técnico na sua oficina de assistência, para serem evitados os perigos da substituição.

### CONFIGURAÇÃO DA PROFUNDIDADE DE APLAINAMENTO



**ADVERTÊNCIA:** Assegure-se de que a ferramenta eléctrica foi desconectada e a ficha foi retirada da rede, antes de alterar as configurações ou mudar as facas da plaina.

1. Para um aplainamento mais profundo gire o regulador de configuração da profundidade de corte (2) no sentido horário e para diminuir a profundidade – gire-o no sentido contrário (Fig. 1).
2. Os números sobre a escala do regulador de configuração da profundidade de corte indicam até que ponto ficou configurada a plaina.
3. Se precisa determinar com exactidão a profundidade de aplainamento faça a prova sobre um pedaço de madeira inútil, compare as diferenças no grosso e, caso seja preciso, repita a configuração.



**ADVERTÊNCIA:** Quando a plaina não se usa, assegure-se de que o regulador está na posição “0”. Nessa posição a faca não pode penetrar na peça processada.

## MONTAGEM E DESMONTAGEM DAS FACAS



**ADVERTÊNCIA:** Assegure-se de que o instrumento eléctrico foi desconectado e a ficha foi retirada da rede, antes de montar ou desmontar facas.

A plaina está equipada de facas de dupla afiação. Elas podem voltar-se para o outro lado quando ficar gasto um dos lados. Quando ficarem gastos ambos os lados, as facas têm de ser substituídas.

**ADVERTÊNCIA:** As facas não podem ser afiadas duas vezes.

## DESMONTAGEM DE FACA



**ADVERTÊNCIA:** As facas são muito afiadas. Proceda com extrema cautela, quando pegar nas facas.

1. Afrouxe os tres parafusos de fixação (13), usando a chave inglesa (9).
2. Deslize a faca (12) da fenda no tambor (11), onde ela se encontra (Fig. 2).

## MONTAGEM DE FACA

1. Volte a faca (12) para o outro lado ou, caso tenha ficado gasta, substitua-a por outra nova.
2. Pegue na nova faca e ponha-a entre o portador e o sostenedor.

**ADVERTÊNCIA:** A borda ao longo da faca tem de ficar de face para o lado inverso dos parafusos de fixação (13).

3. Aperte regularmente os parafusos (13) Primeiro aperte os dois parafusos periféricos e depois o parafuso no centro..
4. Repita as operações com a outra faca.

**ADVERTÊNCIA:** Quando as facas ficarem gastas têm de ser substituídas ao mesmo tempo as duas para se evitar desequilíbrio, vibrações perigosas e eventual avaria da ferramenta eléctrica.



**ADVERTÊNCIA:** Quando vai colocar as facas, primeiro limpe as limalhas da superfície do tambor (11) e das próprias facas. Use facas da mesma dimensão e peso como os originais, porque em caso contrário o tambor vai começar a vibrar. O resultado será aplainamento de má qualidade e eventual avaria do instrumento eléctrico. Aperte com cuidado os parafusos (13), quando vai fixar as facas na plaina. O afrouxamento dum parafuso de fixação é extremamente perigoso. Revise regularmente os parafusos para ver se estão bem fixados.



**ADVERTÊNCIA:** A plaina foi construída para trabalhar com facas bem niveladas e correctamente fixadas nos seus leitos. Quando vai montar novas facas é muito importante que as facas tenham sido metidas nos seus leitos sob ângulo recto e até ao fim, sendo os seus extremos cortantes idealmente nivelados, i.e. ficarem paralelos para com a base traseira. Recém depois de ter cumprido todas essas exigências, pode apertar os parafusos. Se as facas têm ficado por fora ou não se encontram sob ângulo recto, é possível rasgarem o corpo e criarem um perigo sério para o operário e para as pessoas que se encontram perto. A faca tem de estar centrada no tambor.

Os exemplos assinalados ilustram a montagem correcta e incorrecta.

- **Aplainamento puro** (Fig. 3)
- **Irregularidades sobre a superfície** – quando a borda duma ou de ambas as facas não esteja paralela para com a base traseira (Fig. 4).
- **Cavidades no início** – quando a borda duma ou de ambas as facas não sobressair suficientemente em relação à base traseira (Fig. 5).
- **Cavidades no fim** – quando a borda duma ou de ambas as facas sobressair de mais em relação à base traseira (Fig. 6).

**ADVERTÊNCIA:**

- (a) Base frontal (parte móvel)
- (b) Base traseira (parte imóvel)



**ADVERTÊNCIA:** Os dois parafusos com hexágono interno, marcados com tinta vermelha, não se devem regular. A posição destes dois parafusos pode ser alterada unicamente pelo fabricante.

## ARRANCO – PARAGEM



**ADVERTÊNCIA:** Antes de meter a ficha na rede de contacto, sempre verifique se o interruptor (4) e o botão de bloqueio (5) estão perfeitos. Antes de arrancar o instrumento, assegure-se de que o tambor de faca não está em contacto com nenhuma superfície.

1. Meta a ficha no contacto, aperte o botão de bloqueio (5) e puxe o interruptor (4). (Fig. 8)
2. Para parar a ferramenta simplesmente solte o interruptor (4).
3. Se deseja restartar a ferramenta, é preciso accionar ao mesmo tempo o botão de bloqueio (5) e o interruptor (4). Esse é um momento importante para garantir a segurança do trabalho. (Fig. 9).



**ADVERTÊNCIA:** Preste atenção ao facto de que as facas continuam a girar algum tempo depois de a plaina ter sido desconectada. Espere até o motor eléctrico parar definitivamente antes de deixar o instrumento de lado para assim evitar o perigo de causar dano às facas ou à superfície.

## APLAINAMENTO

1. Ponha a base frontal (1) horizontalmente face à superfície que vai processar, sem as facas chegarem a tocá-la.
2. Conecte a ferramenta eléctrica e espere até que as facas atinjam a sua velocidade máxima.
3. Comece a mover o instrumento para frente, exercendo pressão sobre a plaina.
4. Empurre a plaina para detrás do extremo da peça processada sem incliná-la para baixo.
5. A velocidade de movimento da plaina e a profundidade do aplainamento determinam a qualidade do resultado final. Para um processamento mais tosco pode aumentar a profundidade do corte. Para um processamento mais fino tem de diminuir a profundidade e mover a plaina mais devagar.

**OBSERVAÇÃO.** O aplainamento ser-lhe-á mais fácil se colocar a peça processada levemente inclinada para baixo e para fora.



**ADVERTÊNCIA:** O avanço rápido de mais vai piorar a qualidade da superfície processada e vai provocar avaria nas facas ou no motor eléctrico. O avanço demasiadamente lento também pode piorar a qualidade da superfície processada

A velocidade adequada depende do tipo do material processado e da profundidade do corte. Primeiro experimente a plaina sobre pedaço de material inútil para poder determinar a velocidade e a profundidade adequadas para o caso concreto.



**ADVERTÊNCIA:** Fixe o material processado sobre a mesa operacional.

## REMOÇÃO DE CHANFROS (Fig. 10)

Os V-canais na base dianteira móvel (1) permitem a remoção fácil e rápida de chanfros. De acordo com a largura desejada do chanfro, coloque o respectivo V-canal na borda do material processado e guie a plaina paralelamente à borda.

## REMOÇÃO DAS LIMALHAS

1. Ponha a saquinha de po (10).
2. Para a remoção eficaz do po e das limalhas pode conectar o bico (3) com um sistema de remoção de po ou um aspirador de po. Deste modo vai garantir um ambiente operacional mais seguro e puro.

## SUBSTITUIÇÃO DA CORREIA DE TRANSMISSÃO



**ADVERTÊNCIA:** Assegure-se de que a ferramenta eléctrica foi desconectada e a ficha foi retirada da rede, antes de mudar a configuração ou substituir as facas da plaina..

1. Para substituir a correia de transmissão primeiro desparafuse os três parafusos de slots cruciformes que suportam a tampa da correia de transmissão (10) do lado esquerdo da plaina vista por trás.
2. Retire a correia gasta puxando-a do rolo superior enquanto vai girando manualmente o rolo inferior. Use uma escova fina para limpar os rolos e a superfície ao redor.

**OBSERVAÇÃO.** Use óculos protectores, ao limpar os rolos.

3. Os três perfis rectos (contínuos) ▲ do lado interno da correia têm de entrar nos três “V” canais dos rolos. Coloque a nova correia no rolo inferior. Conserte o outro extremo da correia ao redor do rolo superior e dobre-o até a correia ficar esticada e comece a mover ambos os rolos.
4. Verifique com a mão se a correia gira livremente.
5. Ponha a tampa e aperte os três parafusos.
6. Meta a ficha no contacto, conecte a ferramenta por um minuto para ter a certeza de que o motor eléctrico e a correia funcionam.

## ACESSÓRIOS

Jogo de 2 facas (montadas), saquinha de po, chave inglesa.

## VII - Manutenção



**ADVERTÊNCIA:** Sempre desconecte a ferramenta eléctrica e retire a ficha da rede antes de fazer qualquer revisão ou manutenção.

Revise regularmente se os parafusos do corpo foram bem apertados. Em resultado do uso prolongado os parafusos podem ficar afrouxados pelas vibrações.

Lubrifique regularmente todas as peças móveis.

## REVISÃO GERAL

Quando as escovas ficarem gastas, ambas têm de ser substituídas ao mesmo tempo por escovas originais na oficina de assistência em prazo de garantia e fora dele da SPARKY.

Caso o cabo alimentador ficar avariado, a substituição tem de ser feita pelo fabricante ou pelo seu especialista na oficina de assistência, para serem evitados os perigos da substituição.

## LIMPEZA

Para garantir a segurança do trabalho, mantenha sem-

pre limpas a ferramenta e as aberturas de ventilação. Revise regularmente se na grade de ventilação próxima do motor eléctrico ou na área dos comutadores não têm penetrado po ou corpos alheios. Use uma escova fina para eliminar o po acumulado. Para proteger a vista, use durante a limpeza óculos protectores. Caso o corpo da ferram enta precisar de limpeza, use um pano fino húmido. Pode ser usado um detergente fraco.



**ADVERTÊNCIA:** Não se admite o muso de álcool, gasoline ou otros solventes. Nunca use produtos corrosivos para limpar as peças de plástico.



**ADVERTÊNCIA:** Não se admite o contacto da ferramenta com água.

**IMPORTANTE!** Para ser garantida a segurança do trabalho com a ferramenta eléctrica e a sua confiabilidade, todos os procedimentos relacionados com a reparação, manutenção e regulamento (incluindo a revisão e substituição das escovas) têm de ser efectuados nas oficinas de assistência autorizadas pela SPARKY, usando só peças de substituição originais.

## VIII - Garantia

O prazo de garantia dos instrumentos eléctricos SPARKY está indicado no cartão de garantia. Problemas surgidos em resultado do desgaste natural, sobrecarga ou utilização incorrecta, ficam excluídos dos deveres da garantia. Os problemas surgidos devido ao uso de materiais de baixa qualidade e/ou erros de fabricação, eliminam-se sem pagamento adicional mediante substituição ou reparação.

Reclamação por um instrumento eléctrico SPARKY defeituoso reconhece-se quando o instrumento for devolvido ao distribuidor ou for levado a uma oficina autorizada de assistência em prazo de garantia no seu estado inicial (montado).

## Observações

Leia atentamente toda a instrução para o uso, antes de começar a trabalhar com este aparelho.

O fabricante reserva-se o direito de introduzir melhoras e modificações nos seus aparelhos, bem como modificar as especificações sem aviso.

As especificações podem variar de país para país.

## Spis treści

I - Wstęp .....	53
II - Dane techniczne.....	55
III - Instrukcje bezpieczeństwa przy pracy elektronarzędzami.....	56
IV - Dodatkowe przepisy bezpieczeństwa pracy strugami elektrycznymi .....	57
V - Podstawowe elementy .....	58
VI - Wskazówki pracy .....	58
VII - Konserwacja .....	60
VIII - Gwarancja .....	61

### ROZPAKOWANIE

Państwa produkt został zmontowany i zapakowany z należytą starannością, istnieje niewielkie prawdopodobieństwo, że urządzenie może być uszkodzone lub brakować części. Jeśli zostanie taki fakt stwierdzony nie należy używać urządzenia do momentu usunięcia braków. Praca niekompletnym urządzeniem może być przyczyną poważnych uszkodzeń ciała.

### MONTAŻ

Strug P 160 dostarcza się w opakowaniu i w stanie całkowicie zmontowany z wyjątkiem torebki na pył.

## I - Wstęp

Gratulujemy wyboru urządzenia SPARKY, zdolnego spełnić oczekiwania najbardziej wymagającego użytkownika. Urządzenie zostało wyprodukowane zgodnie z rygorystycznymi standardami jakości SPARKY, aby zapewnić najwyższą jakość funkcjonowania. To łatwe i bezpieczne w użytkowaniu urządzenie, odpowiednio stosowane i konserwowane, zapewni Państwu długie lata niezawodnej pracy.

#### UWAGA!



Prosimy o dokładne zapoznanie się z niniejszą instrukcją obsługi przed użyciem urządzenia SPARKY, zwracając szczególną uwagę na ostrzeżenia i uwagi. Dzięki swoim cechom urządzenie SPARKY zapewnia szybkość i łatwą pracę. Bezpieczeństwo, niezawodność i wydajność były priorytetami przy konstruowaniu tego urządzenia, by zapewnić łatwość obsługi oraz utrzymania.



#### Nie wyrzucać urządzeń elektrycznych razem z domowymi śmieciami!

Zużyte urządzenia elektryczne nie mogą być wyrzucane wraz z ze śmieciami z gospodarstwa domowego. Tam gdzie to możliwe, należy oddać zużyte urządzenie do punktu recyklingu. Należy skontaktować się z władzami lokalnymi lub sprzedawcą w celu uzyskania informacji odnośnie recyklingu.



#### OCHRONA ŚRODOWISKA

Urządzenie, akcesoria oraz opakowanie powinny zostać odpowiednio posortowane przez recyklingiem. Części plastikowe są oznaczone odnośnie odpowiedniej kategorii odzyskiwania surowca.

## OPIS SYMBOLI

Tabliczka znamionowa na urządzeniu może zawierać symbole graficzne. Przedstawiają one ważne informacje o produkcie lub jego obsłudze.



Zakładać maskę przeciwpyłową.



Zakładać słuchawki ochronne.  
Zakładać okulary ochronne.



Podwójna izolacja zabezpieczenia dodatkowego



Podłączenie do odkurzacza



Zgodny z odpowiednimi dyrektywami europejskimi



Zgodność z wymogami rosyjskich dokumentów normatywnych



Zgodność z wymogami ukraińskich dokumentów normatywnych



Zapoznać się z instrukcją obsługi

YYYY-Www

Okres produkcji, w którym zmiennymi symbolami są:  
YYYY - roku produkcji, ww – tydzień kalendarzowy

P

STRUG



## II - Dane techniczne

<b>Model:</b>	<b>P 160</b>
• Moc robocza:	450 W
• Prędkość nominalna:	16000 min <sup>-1</sup>
• Głębokość strugania:	0-1.5 mm
• Szerokość strugania:	60 mm
• Waga (wg procedury EPTA 01/2003):	1.8 kg
• Klasa bezpieczeństwa (EN 60745) 	II

### Informacje na temat hałasu i wibracji

#### • **Emisja hałasu** (wartości pomiarowe określono zgodnie z normą EN 60745):

Określony wg skali A poziom ciśnienia akustycznego L <sub>PA</sub>	83 dB(A)
Pewność pomiaru K <sub>PA</sub>	3 dB
Określony wg skali A poziom mocy akustycznej L <sub>WA</sub>	94 dB(A)
Pewność pomiaru K <sub>WA</sub>	3 dB



#### Stosować środki ochrony słuchu!

#### • **Emisja wibracji** (wartości emisji drgań określone zgodnie z punktem 6.2.7 normy EN 60745-1):

*Lączna wartość sumy drgań (sumy wektorowej trzech składowych kierunkowych) wyznaczona zgodnie z normą EN 60745*

Wartość emisji drgań a <sub>w</sub>	3 m/s <sup>2</sup>
Pewność pomiaru K	1,5 m/s <sup>2</sup>

Podany w niniejszej instrukcji poziom drgań został zmierzony zgodnie z określoną przez normę EN 60745 procedurą i może być używany do porównywania urządzeń. Może być stosowany do wstępnego określenia ekspozycji. Deklarowany poziom emisji drgań odnosi się do głównego zastosowania urządzenia. Jeżeli urządzenie zostanie przeznaczone do innych zastosowań, z innym osprzętem lub nie będzie należało konserwować, poziom emisji wibracji może się różnić. Może to znacznie zwiększyć poziom ekspozycji w łącznym czasie pracy.

Aby dokładnie określić poziom ekspozycji na drgania, należy także brać pod uwagę okresy gdy urządzenie jest wyłączone, lub gdy nawet jest włączone, ale nie wykorzystywane do pracy. Może to znacznie obniżyć poziom ekspozycji na drgania w łącznym czasie pracy.

Chronić urządzenie oraz osprzęt oraz dbać o zapewnienie ciepła dłoniom podczas pracy w celu obniżenia szkodliwego wpływu drgań.

Pył z takich materiałów jak np. farba zawierająca ołów, niektóre gatunki drewna, minerały oraz metal może być szkodliwy. Kontakt lub inhalacja pyłów może spowodować reakcje alergiczne i/lub choroby układu oddechowego u operatora lub osób znajdujących się w bezpośredniej bliskości.

Pewne odmiany pyłów sklasyfikowane są jako rakotwórcze np. pył dębowy czy bukowy w szczególności w połączeniu z dodatkami zawierającymi chromaty i środki konserwujące. Materiały zawierające azbest mogą być obrabiane jedynie przez specjalistów.

- Tam gdzie możliwe jest stosowanie odciągu pyłów należy je stosować.
- Aby uzyskać wysoką skuteczność odciągu pyłów, stosować odkurzacz do drewna lub do drewna i minerałów wraz z niniejszym urządzeniem.
- Miejsce pracy musi być dobrze wentylowane.
- Zaleca się stosowanie maski pyłowej lub filtrów klasy P2.

Przestrzegać przepisów krajowych odnośnie obrabianych materiałów.

# III - Instrukcje bezpieczeństwa przy pracy elektronarzędzami



**Uwaga!** Przeczytać wszystkie instrukcje bezpieczeństwa. Nie przestrzeganie instrukcji i ostrzeżeń może spowodować porażenie prądem, pożar i/lub poważne obrażenia.

Zachować wszystkie instrukcje i ostrzeżenia.

Termin: „urządzenie” we wszystkich poniższych informacjach odnosi się do urządzeń zasilanych z sieci (przewodowych) oraz urządzeń akumulatorowych (beprzewodowych).

## 1. BEZPIECZEŃSTWO MIEJSCA PRACY

- Miejsce pracy musi być zawsze dobrze oświetlone i czyste. Niedoświetlenie oraz nieład mogą być przyczyną wypadków.
- Nie należy używać urządzeń w obecności palnych płynów, gazów i pyłów. Podczas pracy urządzenia powstają iskry, które mogą zapalić pyły lub opary.
- Chronicz przed dziećmi i osobami postronnymi. Brak skupienia może spowodować utratę kontroli nad urządzeniem.

## 2. BEZPIECZEŃSTWO ELEKTRYCZNE

- Wtyczka urządzenia musi pasować do gniazda zasilającego. Nie wolno modyfikować wtyczki w jakikolwiek sposób. Nie stosować żadnych adapterów w przypadku elektronarzędzi wymagających uziemienia. Nie modyfikowane wtyczki oraz gniazda zasilające redukują ryzyko porażenia prądem.
- Unikać kontaktu z uziemionymi przedmiotami takimi jak, rury, grzejniki, piece i lodówki. Ryzyko porażenia prądem wzrasta gdy ciało użytkownika zostanie uziemione poprzez kontakt z np. ww. przedmiotami.
- Nie narażać urządzenia na kontakt z wodą – w takim wypadku wzrasta zagrożenie porażenia prądem.
- Nie przenosić, nie wylączać ani nie ciągnąć urządzenia trzymając za przewód. Chronić przewód przed źródłem ciepła, olejami, przedmiotami o ostrych brzegach lub ruchomych częściach. Uszkodzony lub splątany przewód może zwiększyć ryzyko porażenia prądem.
- Podczas pracy na zewnątrz należy zawsze stosować odpowiedni przewód przedłużający. Stosowanie przewodu przeznaczanego do pracy na zewnątrz zmniejsza ryzyko porażenia prądem.
- Jeśli praca w wilgotnym środowisku jest nieunikniona, stosować zasilanie zabezpieczone wyłącznikiem różnicowo-prądowy. Stosowanie wyłącznika różnicowo-prądowego zmniejsza ryzyko porażenia prądem.

## 3. BEZPIECZEŃSTWO OSOBISTE

- Zawsze należy pracować w należyтым skupieniu i kierować się rozsądkiem. Nie używać urządzenia pozostając pod wpływem leków, alkoholu lub narkotyków, w trakcie leczenia lub będąc zmęczonym. Chwila nieuwagi podczas pracy urządzeniem może być przyczyną poważnych uszkodzeń ciała.
- Stosować wyposażenie ochronne. Zawsze używać ochrony oczu. Wyposażenie takie jak maska p.pyłowa, buty na podszewie antypoślizgowej, kask, ochronniki słuchu, redukuje zagrożenie uszkodzenia ciała.
- Unikać przypadkowego włączenia urządzenia. Upewnić się, że włącznik znajduje się w położeniu; „wylączony” przed podłączeniem urządzenia do źródła zasilania. Przeniesienie urządzenia trzymając za włącznik lub podłączając je do zasilania z włącznikiem w pozycji: „włączone” może być przyczyną wypadków.
- Przed włączeniem urządzenia upewnić się, że nie jest dołączony żaden osprzęt regulujący (np. klucz). Pozostawienie klucza w rotującej części urządzenia może spowodować obrażenia.
- Nie przeceniać własnych możliwości. Zawsze dbać o odpowiednie oparcie dla nóg oraz balans. Zapewni to lepszą kontrolę w nieoczekiwanych sytuacjach.
- Stosować odpowiednie ubranie. Nie nosić luźnych ubrań ani biżuterii. Nie zbliżać włosów, ubrania ani rękawic roboczych do ruchomych części urządzenia. Luźne ubranie, biżuteria lub długie włosy mogą utknąć w ruchomych częściach urządzenia.
- Jeśli urządzenie jest wyposażone w adapter odprowadzania pyłów, należy sprawdzić czy jest odpowiednio podłączony i używany. Stosowanie systemu odprowadzania pyłów może obniżyć niebezpieczeństwa związane z pyleniem.

## 4. UŻYWANIE I KONSERWACJA URZĄDZENIA

- Nie przeciążać urządzenia. Stosować odpowiednie urządzenie do każdej pracy. Należy użyć dobrane urządzenie wykona pracę lepiej i bezpieczniejsz w trybie do jakiego zostało zaprojektowane
- Nie używać urządzenia jeśli włącznik nie działa. Każde urządzenie z uszkodzonym włącznikiem jest niebezpieczne i musi zostać naprawione.
- Zawsze należy odłączyć urządzenie od zasilania i/lub wyjąć baterię przed zmianą ustawień, wymianą akcesoriów lub odłożeniem po pracy. Takie działanie zmniejszy ryzyko przypadkowego włączenia urządzenia.
- Nieużywane urządzenie należy chronić przed dziećmi oraz niepowołanymi osobami nie znającymi tego urządzenia lub niniejszej instrukcji. Elektronarzędzia są niebezpieczne w rękach nie przeszkolonych osób.
- Konserwować elektronarzędzia. Sprawdzać połączenia części ruchomych, ewentualne uszkodzenia oraz inne czynniki mogące mieć wpływ na działanie urządzenia. W przypadku

stwierdzenia uszkodzenia należy naprawić urządzenie przed dalszym użytkowaniem. *Wiele wypadków spowodowanych jest nienależytą konserwacją urządzenia.*

- f) Narzędzia tnące zawsze muszą być ostre. *Odpowiednio konserwowane narzędzia tnące z ostrymi krawędziami rzadziej się zacinają w obrabianym materiale i są łatwiejsze w obsłudze.*
- g) Niniejsze urządzenie oraz osprzęt do niego muszą być używane zgodnie z niniejszą instrukcją obsługi oraz w zakresie przewidzianym dla danego typu urządzenia. *Zawsze należy brać pod uwagę rodzaj pracy do wykonania oraz warunki panujące w miejscu pracy. Użycie elektronarzędzi do celów innych niż opisane w niniejszej instrukcji obsługi może spowodować niebezpieczne sytuacje.*

## 5. SERWIS

- a) Niniejsze urządzenie należy serwisować wyłącznie w autoryzowanych serwisach SPARKY z wykorzystaniem oryginalnych części zamiennych. *Takie postępowanie zapewni należyte bezpieczeństwo.*

## IV - Dodatkowe przepisy bezpieczeństwa pracy strugami elektrycznymi

- **Przed odstawieniem elektronarzędzia zawsze odczekać aż bęben nożowy zatrzyma się ostatecznie.** *Niezastłonięta część tnąca struga może utknąć w obrabianej powierzchni i spowodować utratę kontroli i poważny wypadek przy pracy.*
- **Podczas prac, przy których elektronarzędzie mogłyby natrafić na ukryte przewody elektryczne lub na własny przewód, należy je trzymać tylko za izolowaną rękkość.** *Pod wpływem kontaktu osprzętu z przewodami będącymi pod napięciem, wszystkie części metalowe elektronarzędzia mogą również znaleźć się pod napięciem i spowodować porażenie prądem operatora.*
- **Stosować zaciski lub w inny odpowiedni sposób unieruchomić obrabiany materiał do stabilnego podłoża.** *Przytrzymywanie obrabianego materiału ręką lub do dociskając do ciała nie jest stabilne i może spowodować utratę kontroli.*
- **Zawsze zakładać okulary ochronne, zakładać ochronniki słuchu i maseczkę przeciwpyłową.**
- **W celu zapobieżenia ewentualnemu nagrzewaniu, zawsze rozwijać do końca kabel zasilania z przedłużacza posiadającego bęben**
- **W razie konieczności stosowania przedłużacza należy upewnić się, że jego przekrój dostosowany jest do napięcia znamionowego użytkowanego elektronarzędzia, jak również czy przedłużacz jest w dobrym stanie technicznym.**
- **Po długotrwałej pracy zewnętrzne przyrządy i części metalowe struga czasami nagrzewają się.**
- **Zawsze wyłączać elektronarzędzie przed odstawieniem na bok.**

- **Nie przeciążać elektronarzędzia - pozostawić je by pracowało we właściwej prędkości.** *Przeciążenie występuje przy zbyt dużym nacisku, ponieważ wtedy elektronarzędzie zaczyna obracać się wolniej, w wyniku czego skuteczność ulega zmniejszeniu i jest możliwe uszkodzenie silnika elektrycznego.*
- **Zawsze, gdy jest to możliwe, stosować układ do odprowadzenia pyłu.**
- **W obszarze pracy nie wolno trzymać szmat, ścierek, pakul, sznurów i in.**
- **Przed przystąpieniem do pracy usunąć z obrabianego detalu wszystkie gwoździe, wkręty i inne obce ciała.** *Przy zaczepieniu o gwoździ lub inne ciało metalowe można uszkodzić noże i elektronarzędzie, co stwarza zagrożenie wypadkiem przy pracy.*
- **Postępować szczególnie ostrożnie przy chwytaniu noży.**
- **Przed przystąpieniem do pracy uważnie sprawdzić, czy wkręty mocujące noży są dobrze zakręcone.**
- **Trzymać elektronarzędzie mocno oburącz.**
- **Chronić ręce przed obracającymi się częściami.**
- **Przed rozpoczęciem pracy elektronarzędziem, najpierw należy je pozostawić by popracowało przez pewien czas na biegu jałowym.** *Uważać na wystąpienie drgań, co jest objawem niewłaściwego montażu lub niewłaściwego zbilansowania noży.*
- **Przed włączeniem elektronarzędzia upewnić się, że żaden z noży nie dotyka obrabianej powierzchni.**
- **Odczekać aż noże osiągną pełną prędkość dopiero wówczas przystąpić do strugania.**
- **Podczas pracy trzymać elektronarzędzie w odległości minimum 200 mm od twarzy i ciała,**
- **Zawsze wyłączać elektronarzędzie i odczekać aż noże znieruchomią całkowicie przed dokonaniem jakiegokolwiek regulacji.**
- **Nigdy nie wkładać palców w rowek na wióry.** *Mogą utknąć w rowku przy cięciu wilgotnego materiału drzewnego. Usunąć wióry pateczką, jednak tylko po wyłączeniu elektronarzędzia i wyjęcia wtyczki z gniazda sieci zasilania.*
- **Nie pozostawiać elektronarzędzia by pracowało bez kontroli.** *Przy pracy elektronarzędziem, należy je trzymać mocno obiema rękami i kontrolować.*
- **Przed odstawieniem struga należy go wyłączyć z sieci i postawić na króccu (18) z podniesioną tylną częścią podstawy, tak by noże nie dotykały do niczego.**
- **Zawsze wymieniać dwa ostrza jednocześnie, w przeciwnym razie występujący brak wyważenia doprowadzi do niestabilności i skrócenia żywotności noży oraz samego elektronarzędzia.**



**OSTRZEŻENIE:** Przed podłączeniem elektronarzędzia do sieci zasilania koniecznie upewnić się czy napięcie zasilania odpowiada napięciu wskazanemu na tabliczce znamionowej elektronarzędzia. Napięcie zasilania o wartościach wyższych od znamionowych może spowodować poważne urazy jak również uszkodzenie elektronarzędzia.

- **W razie niepewności co do wartości napięcia, nie włączać elektronarzędzia.**
- **W wypadku napięcia niższego od znamionowego si-**

nik elektryczny ulega uszkodzeniu.

- Elektronarzędzie stosować tylko zgodnie z przeznaczeniem. Każde inne zastosowanie odmienne od opisanego w niniejszej instrukcji będzie uważane za niewłaściwe. Odpowiedzialność za wszelkie usterki lub skażenia, wynikające z niewłaściwego użytku, ponosi użytkownik, a nie producent.
- Prawidłowe użytkowanie niniejszego elektronarzędzia wymaga przestrzegania przepisów bezpieczeństwa, ogólnych instrukcji i wskazówek pracy podanych tutaj. Wszyscy użytkownicy powinni zapoznać się z niniejszą instrukcją obsługi i mieć informację o potencjalnych ryzykach przy pracy elektronarzędziem. Dzieci i fizycznie słabi ludzie nie powinni użytkować niniejszego elektronarzędzia. Dzieci powinny znajdować się pod stałą obserwacją w pobliżu miejsca pracy elektronarzędziem. Obowiązkowo należy zastosować zapobiegawcze środki bezpieczeństwa. To samo dotyczy przestrzegania podstawowych przepisów bezpieczeństwa i higieny pracy.
- Producent nie ponosi odpowiedzialności za dokonane przez użytkownika zmiany w elektronarzędziu lub za uszkodzenia wywołane podobnymi zmianami.

Nawet gdy elektronarzędzie jest użytkowane zgodnie z jego przeznaczeniem nie sposób wyeliminować wszystkich czynników ryzyka. Wymienione poniżej niebezpieczeństwa mogą powstać w związku ze specyficzną konstrukcją lub kształtem elektronarzędzia.

- Zawsze wyjmować wtyczkę z gniazdka przed naprawami lub regulacją elektronarzędzia, w tym przy wymianie noży lub nastawieniu głębokości strugania.
- Dotykanie noży.
- Wkroczenie do strefy pracy pod podstawą przy uruchomionym elektronarzędziem.
- Odrzut obrabianego detalu lub jego części.
- Złamanie noża.
- Rozrzut w powietrzu kawałków uszkodzonego noża.
- Elektronarzędzia nie można stosować na wolnym powietrzu przy opadach atmosferycznych w środowisku wilgotnym lub blisko łatwopalnych płynów i gazów. Miejsce pracy powinno być dobrze oświetlone.

## V - Podstawowe elementy

Przed przystąpieniem do pracy strugiem należy opisać wszystkie specyficzne szczegóły operacyjne i warunki bezpieczeństwa. Używać elektronarzędzia i osprzętu tylko zgodnie z przeznaczeniem. Każde inne zastosowanie jest stanowczo zakazane.

1. Ruchoma podstawa przednia
2. Regulator nastawienia głębokości strugania
3. Końcówka do odprowadzenia pyłu
4. Wyłącznik
5. Przycisk blokujący wyłącznika
6. Rękojeść
7. Miejsce na przechowanie klucza maszynowego
8. Pokrywa paska napędowego
9. Klucz maszynowy
10. Torebka na pył
11. Bęben nożowy
12. Obustronnie naostrzony nóż
13. Wkręt mocujący
14. Króciec

## VI - Wskazówki pracy

Niniejsze elektronarzędzie zasilane jest jednofazowym napięciem zmiennym. Posiada podwójną izolację zgodnie z EN 60745-1 i IEC 60745 i można je podłączać do gniazd wtykowych bez zacisków ochronnych. Zakłócenia radiowe spełniają wymogi Dyrektywy o kompatybilności elektromagnetycznej 2004/108/EC.

### PRZED ROZPOCZĘCIEM PRAC

- Upewnić się, czy napięcie sieci elektrycznej odpowiada wartościom wskazanym na tablicy znamionowej elektronarzędzia.
- Upewnić się, w sprawności kabla zasilania i wtyczki. W razie uszkodzenia kabla zasilania wymiany powinien dokonać producent lub jego specjalista serwisowy, aby uniknąć ewentualnych zagrożeń podczas wymiany.

### NASTAWIENIE GŁĘBOKOŚCI STRUGANIA



**OSTRZEŻENIE:** Upewnić się, że elektronarzędzie zostało wyłączone, a wtyczkę wyjęto z gniazda sieci zasilania, przed dokonaniem nastawienia lub wymiany ostrej struga.

1. Dla głębszego strugania należy zakręcić regulator nastawienia głębokości cięcia (2) zgodnie z ruchem wskazówki zegara, a dla płytszego - zakręcić odwrotnie do ruchu wskazówki zegara (Rys. 1).
2. Liczby na skali regulatora nastawienia głębokości strugania wskazują stopień nastawienia struga.
3. W razie konieczności dokładnego określenia głębokości strugania, kawałek niepotrzebnego drewna poddać próbnej obróbce, zmierzyć głębokość i w razie potrzeby dokonać ponownego nastawienia.



**OSTRZEŻENIE:** Gdy strug nie jest używany, należy sprawdzić czy regulator ustawiony jest w pozycji "0", ponieważ w tym położeniu ostrze nie może wrzynąć się w obrabiany detal.

### MONTAŻ I DEMONTAŻ OSTRZY



**OSTRZEŻENIE:** Upewnić się, czy elektronarzędzie zostało wyłączone i wtyczkę wyjęto z gniazda wtykowego przed dokonaniem montażu i demontażu ostrzy.

Strug wyposażony jest w obustronnie naostrzone noże. Noże można odwrócić po zużyciu jednej strony. Gdy obie strony ostrza zostały zużyte, ostrze należy wymienić.

**UWAGA:** Ostrza nie nadają się do ponownego naostrzenia.

## DEMONTAŻ NOŻA



**OSTRZEŻENIE:** Noże są bardzo ostre. Z wyjątkową ostrożnością należy chwycić noże.

1. Rozluźnić trzy mocujące wkręty (13), stosując do tego klucz maszynowy (9)
2. Wyjąć ostrze (12) ze szczeliny cylindra (11), w którym znajduje się. (Rys. 2)

## MONTAŻ NOŻA

1. Odwrócić ostrze (13) lub wymienić je na nowe w przypadku zużycia
2. Umieścić nowe ostrze między nośnikiem a trzymaczem.

**UWAGA:** Krawędź w przedłużeniu ostrza powinna być odwrócona licem do odwrotnej strony wkrętów mocujących (13).

3. Dokręcić równomiernie wkręty (13). Najpierw dokręcić dwa najbardziej zewnętrzne wkręty, a na końcu dokręcić wkręt w środku.
4. Powtórzyć te czynności w stosunku do drugiego noża.

**UWAGA:** W wypadku uszkodzenia noży należy wymienić zestaw dwóch noży, aby zapobiec wystąpieniu braku równowagi powodującego niebezpieczne drgania i możliwość uszkodzenia elektronarzędzia,



**OSTRZEŻENIE:** Przy zakładaniu ostrzy najpierw należy usunąć strużyny przyklejone do cylindra (11) i powierzchni samych ostrzy. Stosować ostrza o tym samym rozmiarze i wadze jak oryginalne, w przeciwnym razie cylinder wibruje. Doprowadzi to do pogorszenia jakości strugania i ewentualnego uszkodzenia urządzenia. Uważnie dokręcić wkręty (13) mocujące ostrze do struga. Rozluźnienie mocującego wkrętu jest wyjątkowo niebezpieczne. Regularnie sprawdzać, czy wkręty dokręcono dobrze.



**OSTRZEŻENIE:** Strug skonstruowano do pracy nożami dobrze wyrównanymi i właściwie mocowanymi w ich łożyskach. Montując nowe noże bardzo ważne jest by zostały wprowadzone pod kątem prostym w łożo do oporu, a ich krawędzie tnące powinny być idealnie wyrównane, czyli powinny być równoległe do powierzchni podstawy tylnej. Dopiero po spełnieniu tych wszystkich warunków można przystąpić do dokręcania wkrętów. Jeśli noże (ostrza) wysunięte są na zewnątrz lub nie są pod kątem prostym, istnieje możliwość zacięcia się w korpusie i spowodowania poważnego niebezpieczeństwa dla użytkownika i osób postronnych. Ostrze powinno być umieszczone centralnie w cylindrze.

**UWAGA:** Powierzchnia poddana struganiu będzie szorstka i nierówna, jeśli ostrza nie zostały właściwie ustawione i dokręcone do oporu.

Przykłady poniżej wskazują prawidłowy i nieprawidłowy montaż:

- **Czyste struganie** (Rys.3)
- **Nierówności na powierzchni** – gdy krawędź jednego lub wszystkich noży nie jest równoległa do podstawy (Rys.4).
- **Wgłębienia na początku** – jeżeli krawędź jednego lub wszystkich ostrzy nie wystaje dostatecznie względem podstawy tylnej (Rys.5).
- **Wgłębienia na końcu** – jeżeli krawędź jednego lub wszystkich ostrzy wystaje nadmiernie w stosunku do podstawy tylnej (Rys.6).

**UWAGA:**

- (a) Podstawa przednia (część ruchoma)
- (b) Podstawa tylna (część nieruchoma)



**OSTRZEŻENIE:** Dwoch śrub zamalowanych na czerwono nie wolno regulować. Ustawienie tych obu śrub może zmieniać tylko producent.

## ROZRUCH – ZATRZYMANIE



**OSTRZEŻENIE:** Przed włożeniem wtyczki do gniazda zawsze należy sprawdzać, czy wyłącznik (4) i przycisk blokujący (5) są sprawne. Przed uruchomieniem elektronarzędzia należy upewnić się, czy bęben nożowy nie dotyka żadnej powierzchni.

1. Włożyć wtyczkę do gniazda, wcisnąć przycisk blokujący (5) i wyciągnąć wyłącznik (4). (Rys. 8)
2. Dla zatrzymania elektronarzędzia trzeba tylko zwolnić wyłącznik (4).
3. W razie ponownego uruchomienia elektronarzędzia należy włączyć jednocześnie przycisk blokujący (5) i wyłącznik (4). Jest to istotny moment dla zapewnienia bezpiecznej pracy elektronarzędziem. (Rys. 9)



**OSTRZEŻENIE:** Zwrócić uwagę na to, że noże nadal obracają się przez pewien czas po wyłączeniu struga. Odczekać aż silnik elektryczny zatrzyma się ostatecznie, dopiero po tym można odstawić elektronarzędzie na bok, w celu zapobieżenia uszkodzeniu noży lub obrabianej powierzchni.

## STRUGANIE

1. Ustawić podstawę przednią (1) poziomo do powierzchni obrabianej nie dotykając jej ostrzami.
2. Włączyć elektronarzędzie i odczekać aż ostrza osiągną pełną prędkość.
3. Przesuwać elektronarzędzie bardzo uważnie wywierając nacisk na strug.
4. Odstawić strug poza detalem obrabianym nie nachylając go w dół.

5. Od prędkości posuwów struga i głębokości strugania zależy jakość końcowego wyniku. Przy grubszej obróbce można zwiększyć głębokość cięcia. Precyzyjna obróbka wymaga zmniejszenia głębokości cięcia oraz wolniejszego przesuwania struga.

**UWAGA:** Struganie będzie łatwiejsze, jeśli ustawić obrabiany detal pod lekkim nachyleniem w dół i na zewnątrz..



**OSTRZEŻENIE:** Zbyt szybkie przesuwanie pogorszy jakość obrabianej powierzchni i uszkodzi ostrza lub silnik elektryczny. Zbyt wolne przesuwanie może opalić z wierzchu lub pogorszyć jakość obrabianej powierzchni.

Właściwa prędkość zależy od rodzaju obrabianego materiału i głębokości cięcia.

Najpierw wypróbować strug na niepotrzebnym kawałku materiału, aby ustalić odpowiednie wartości prędkości i głębokości.



**OSTRZEŻENIE:** Przymocować obrabiany materiał do stołu roboczego.

## FAZOWANIE (Fig. 10)

Rowek o profilu „V” w podstawie (1) pozwala na szybkie i łatwe fazowanie krawędzi obrabianego materiału. W zależności od wymaganej szerokości fazy, umieścić strug odpowiednim rowkiem „V” na obrabianym materiale i prowadzić wzdłuż krawędzi.

## ODPROWADZENIE STRUŻYN

1. Woreczek na pył (10) należy zamontować do odpowiedniego otworu (3).
2. Dla skutecznego usuwania pyłu i strużyn można podłączyć końcówkę (3) do układu odprowadzania pyłu lub do odkurzacza. W ten sposób można zapewnić sobie bezpieczne i czyste środowisko pracy.

## WYMIANA PASKA NAPĘDOWEGO



**OSTRZEŻENIE:** Upewnić się, że elektronarzędzie zostało wyłączone, a wtyczkę wyjęto z gniazda sieci zasilania przed dokonaniem zmiany nastawienia lub wymiany ostrego struga.

1. W celu wymiany paska napędowego najpierw należy odkręcić trzy wkręty krzyżakowe mocujące osłonę paska napędowego (10) po lewej stronie struga, patrząc od tyłu.
2. Usunąć zużyty pasek napędowy wyciągając go z górnego krążka, obracając ręką krążek dolny. Użyć miękkiego pędzla do czyszczenia krążków i otaczającej powierzchni.

**UWAGA:** Zakładać okulary ochronne podczas oczyszczania krążków.

3. Trzy proste profile ▲ z wewnętrznej strony paska powinny wejść w trzy rowki „V” krążków. Ustawić nowy pasek napędowy na dolny krążek. Ustawić drugi koniec paska wokół krążka górnego i obracać do naciągnięcia paska i uruchomienia obu krążków.
4. Sprawdzić ręką, czy pasek napędowy obraca się swobodnie.
5. Założyć z powrotem osłonę i dokręcić trzy wkręty.
6. Wprowadzić wtyczkę do gniazda sieci zasilania, następnie uruchomić elektronarzędzie przez 1-2 minuty, aby się upewnić, że silnik elektryczny i pasek napędowy dobrze pracują.

## OSPRZĘT

Zestaw 2 ostroży (fabrycznie zamontowanych), woreczek na pył, klucz maszynowy.

## VII - Konserwacja



**OSTRZEŻENIE:** Zawsze wyłączać elektronarzędzie oraz wyjmować wtyczkę z gniazda sieci zasilania, przed dokonaniem czynności kontrolnych lub konserwacyjnych.

Sprawdzać regularnie wszystkie elementy mocujące oraz upewniać się czy elementy te zostały mocno dokręcone. W wypadku rozluźnienia jakiegos wkrętu natychmiast go dokręcić do oporu, by uniknąć sytuacji ryzykownych.

Regularnie smarować wszystkie części ruchome.

## OGÓLNA KONTROLA

W wypadku zużycia szczotek, obie szczotki należy wymienić jednocześnie na oryginalne szczotki w serwisie naprawczym SPARKY w okresie gwarancyjnym i pogwarancyjnym.

W wypadku uszkodzenia przewodu zasilania, wymiany powinien dokonać producent lub jego specjalista serwisowy w celu uniknięcia niebezpieczeństw towarzyszących wymianie.

## CZYSZCZENIE

Dla bezpiecznej pracy zawsze czyścić urządzenie i otwory wentylacyjne.

Sprawdzać regularnie, czy w kracie wentylacyjnej elektronarzędzia lub koło przelączników nie ma pyłu lub innych zanieczyszczeń. Do usuwania nagromadzonego pyłu używać miękkiego pędzla. Podczas czyszczenia zakładać okulary ochronne.

W razie czyszczenia korpusu elektronarzędzia używać do tego miękkiej wilgotnej ściereki. Można stosować także łagodny preparat do mycia.



**OSTRZEŻENIE:** Nie używać spirytusu, benzyny lub innych rozpuszczalników. Nigdy nie stosować preparatów żrących do czyszczenia części z tworzywa sztucznego.



**OSTRZEŻENIE:** Nie dopuszczać dostania się wody do urządzenia.

**UWAGA!** W celu zapewnienia bezpiecznej pracy elektronarzędziem i jego niezawodności, wszystkie czynności napraw, konserwacji i regulacji (w tym sprawdzenie i wymiana szczotek) należy wykonać w autoryzowanych serwisach SPARKY, stosując tylko oryginalne części zamienne.

## VIII - Gwarancja

---

Okres gwarancji urządzeń SPARKY jest podany w karcie gwarancyjnej. Naturalne zużycie oraz uszkodzenia powstałe w wyniku przeciążenia lub niewłaściwej obsługi nie podlegają gwarancji.

Uszkodzenia wynikłe z wady materiałowej lub błędów produkcyjnych zostaną usunięte bezpłatnie w drodze naprawy lub wymiany urządzenia.

Reklamacje uszkodzonych urządzeń SPARKY zostaną rozpatrzone jeśli zostaną dostarczone w stanie w jakim stwierdzono wadę, nie rozmontowane, do autoryzowanego serwisu lub punktu sprzedaży.

## Informacja

---

Przeczytać uważnie całość niniejszej instrukcji obsługi przed użytkowaniem niniejszego sprzętu.

Narzędzia SPARKY są stale ulepszone w związku z tym otrzymany produkt może nieznacznie różnić się od tego ukazanego w niniejszej instrukcji. Producent zapewnia sobie prawo do wprowadzania zmian bez uprzedzenia.

Specyfikacja może się różnić w zależności od kraju.

## Содержание

I - Введение .....	62
II - Технические данные .....	64
III - Общие указания по безопасности при работе с электроинструментами .....	65
IV - Дополнительные правила безопасности при работе с электрическими рубанками .....	66
V - Узнай больше о своем инструменте .....	67
VI - Указания по работе .....	68
VII - Обслуживание .....	70
VIII - Гарантия .....	70

### РАСПАКОВКА

Электроинструмент поставляется комплектно в исправном виде. В случае обнаружения несоответствий не рекомендуем использовать инструмент до тех пор, пока обнаруженный дефект не будет устранен. Невыполнение этой рекомендации может стать причиной травмы.

### КОМПЛЕКТАЦИЯ

Рубанок Р 160 поставляется упакованным в полностью собранном виде, за исключением мешка для пыли.

## I - Введение

Новоприобретенный Вами электроинструмент SPARKY превзойдет Ваши ожидания. Он произведен в соответствии с высокими стандартами качества SPARKY, отвечающими строгим требованиям потребителя. Его легко обслуживать и он безопасен при эксплуатации, при правильном использовании этот электроинструмент будет служить Вам долгие годы.

### ПРЕДОСТЕРЕЖЕНИЕ!



Прочтите внимательно и целиком инструкцию по эксплуатации перед использованием новоприобретенного электроинструмента SPARKY. Обратите специальное внимание на параграфы, обозначенным словом **“Предостережение”**. У Вашего электроинструмента SPARKY много качеств, которые облегчают работу. При разработке этого инструмента основное внимание было направлено на безопасность, эксплуатационные качества и надежность, которые облегчают его обслуживание и эксплуатацию.



### Не выбрасывайте электроинструменты вместе с бытовыми отходами!

Отходы от электрических изделий не следует собирать вместе с бытовыми отходами. Пожалуйста, рециклируйте в местах, предназначенных для этого. Свяжитесь с местными властями или представителем для консультации касательно рециклирования.



### ОХРАНА ОКРУЖАЮЩЕЙ СРЕДЫ

С учетом охраны окружающей среды электроинструмент, принадлежности и упаковка должны подвергнуться подходящей переработке для повторного использования содержащегося в них сырья. Для облегчения рециклирования деталей, произведенных из искусственных материалов, они обозначены соответствующим образом.



## ОПИСАНИЕ СИМВОЛОВ

На табличке с данными электроинструмента нанесены специальные символы. Они представляют собой важную информацию об использовании инструмента и его характеристиках.



Во время работы необходимо использовать предохранительные маски



Во время работы необходимо использовать предохранительные очки и наушники



Двойная изоляция для дополнительной защиты



Подсоединение к пылесосу



Соответствует релевантным европейским директивам



Соответствует требованиям российским нормативным документам



Соответствует требованиям украинским нормативным документам



Ознакомьтесь с инструкцией по эксплуатации

YYYY-Www

Период производства, где переменные символы означают:  
YYYY - год производства, ww – очередная календарная неделя

P

РУБАНОК

## II - Технические данные

<b>Модель:</b>	<b>P 160</b>
• <b>Мощность:</b>	<b>450 W</b>
• <b>Номинальная скорость:</b>	<b>16000 min<sup>-1</sup></b>
• <b>Глубина строгания:</b>	<b>0-1.5 mm</b>
• <b>Ширина строгания:</b>	<b>60 mm</b>
• <b>Вес (ЕРТА процедура 01/2003):</b>	<b>1.8 kg</b>
• <b>Класс защиты (EN 60745) </b>	<b>II</b>

### Информация о шуме и вибрациях

• <b>Излучение шума</b> (значения замерялись в соответствии со стандартом EN 60745):	
А-взвешенный уровень звукового давления $L_{pA}$	83 dB(A)
Неопределенность $K_{pA}$	3 dB
А-взвешенный уровень звуковой мощности $L_{WA}$	94 dB(A)
Неопределенность $K_{WA}$	3 dB



**Используйте средства для защиты от шума!**

- **Излучение вибраций** (уровень вибраций измерен в соответствии с т.6.2.7 EN 60745-1):  
*суммарные значения вибраций (векторная сумма трех направлений)  
определенные в соответствии с EN 60745*

<b>Величина вибраций <math>a_w</math>:</b>	<b>3 m/s<sup>2</sup></b>
<b>Неопределенность K</b>	<b>1.5 m/s<sup>2</sup></b>

Указанный в настоящую инструкцию уровень вибраций измерен в соответствии с установленную EN 60745 методику испытаний и может использоваться для сравнения электроинструментов. Уровень вибраций может использоваться для предварительной оценки воздействия.

Указанный уровень вибраций дан при условии использования инструмента по его прямому назначению. В тех случаях, когда электроинструмент используется для других целей, с другими принадлежностями, уровень вибраций может отличаться от указанного. В этих случаях уровень воздействия может значительно возрасти в рамках общего периода работы.

Для точной оценки воздействия вибраций во время определенного периода работы необходимо учитывать промежутки времени, в которые электроинструмент выключен, либо хотя и включен, но фактически не используется. Это может существенно сократить воздействия вибраций в течение всего периода работы. Сохраняйте электроинструмент и его принадлежности в хорошем состоянии. Во время работы старайтесь сохранять руки теплыми - это поможет уменьшить вредное воздействие при работе с повышенной вибрацией.

Пыль материалов, как с краски с содержанием свинца, некоторых сортов древесины, минералов и металла может быть вредной для здоровья. Прикосновение к пыли и попадание пыли в дыхательные пути может вызвать аллергические реакции и/или заболевания дыхательных путей оператора или находящегося вблизи персонала.

Определенные виды пыли, как из дуба и бука, считаются канцерогенными, особенно, совместно с присадками для обработки древесины (хромат, средство для защиты древесины). Материал с содержанием асбеста разрешается обрабатывать только специалистам.

- По возможности применяйте отсос пыли.
- Для достижения максимально высокой эффективности собирания пыли при работе с данным электроинструментом, используйте пылесос, предназначенный для сбора пыли из древесины или для пыли из древесины и/или минеральной пыли.
- Следите за хорошей вентиляцией.
- Рекомендуется пользоваться дыхательной защитной маской с фильтром класса P2.

Соблюдайте действующие в Вашей стране предписания для обрабатываемых материалов.

### III - Общие указания по безопасности при работе с электроинструментами



**ПРЕДУПРЕЖДЕНИЕ!** Прочитайте все предупреждения и указания по безопасности. Несоблюдение предупреждений и указаний по безопасности может привести к поражению электрическим током, от пожара и/или серьезным ранениям.

Сохраните все предупреждения и указания для дальнейшего использования.

Термин “электроинструмент” во всех указанных ниже предупреждениях касается вашего электроинструмента, с питанием от сети (с кабелем) и/или электроинструмента с питанием от аккумуляторной батареи (без кабеля).

#### 1. БЕЗОПАСНОСТЬ РАБОЧЕГО МЕСТА

- a) Содержите рабочее место в чистоте и хорошо освещенным. Беспорядок и недостаточное освещение являются предпосылками трудовых инцидентов.
- b) Не работайте с электроинструментами во взрывоопасной атмосфере при наличии воспламеняющихся жидкостей, газов или пыли. Электроинструменты создают искры, которые могут воспламенить пыль или пары.
- c) Держите детей и посторонних лиц на расстоянии, когда работаете с электроинструментом. Рассеивание может привести к потере контроля с Вашей стороны.

#### 2. ЭЛЕКТРИЧЕСКАЯ БЕЗОПАСНОСТЬ

- a) Штепсель электроинструментов должны соответствовать контактным гнездам. Никогда не меняйте штепсель каким-либо способом. Не используйте какие-либо адаптерные штепселя для электроинструментов с защитным заземлением. Использование оригинальных штепселей и соответствующим им контактов уменьшает риск от удара электрическим током.
- b) Избегайте соприкосновения тела с землей или с заземленными поверхностями, такими как трубы, радиаторы, кухонные плиты и холодильники. Если ваше тело заземлено, существует повышенный риск поражения электрическим током.
- c) Не оставляйте электроинструменты под дождем или во влажной среде. Проникновение воды в электроинструменты повышает риск от поражения электрическим током.
- d) Используйте кабель по назначению. Никогда не используйте кабель для переноса электроинструмента, натягивания или отключения штепселя из контактного гнезда. Держите кабель далеко от тепла, масла, острых углов или движущихся частей. По-

врежденные или запутанные кабели повышают риск от поражений электрическим током.

- e) Во время наружной работы с электроинструментом используйте удлинитель, подходящий для этих целей. Использование удлинителя, предназначенного для внешних /наружных/ работ, уменьшает опасность от поражения электрическим током.
- f) В случае, если работа с электроинструментом во влажной среде неизбежна, используйте предохранительное устройство, которое задействовано от остаточного тока для прерывания подачи тока. Использование предохранительного устройства уменьшает риск от поражения электрическим током.

#### 3. ЛИЧНАЯ БЕЗОПАСНОСТЬ

- a) Будьте бдительны, работайте с повышенным вниманием и проявляйте благоразумие, когда работаете с электроинструментом. Не используйте электроинструмент, когда вы устали или находитесь под влиянием наркотиков, алкоголя или медикаментов. Момент невнимания при работе с электроинструментом может привести к серьезной производственной травме.
- b) Используйте индивидуальные средства защиты. Носите всегда защитные очки. Индивидуальные средства защиты, такие как маска против пыли, нескользкая обувь, защитный шлем или средства для защиты слуха, используемые в конкретных условиях, снижают риск от производственных травм.
- c) Избегайте невольного пуска инструмента. Убедитесь, что выключатель находится в положении „выключено” перед включением к источнику питания и/или аккумуляторной батарее перед тем, как его возьмете в руки или переносите. Ношение электроинструмента с пальцем на выключателе или подключение к источнику питания электроинструмента с выключателем во включенном положении является предпосылкой для производственной травмы.
- d) Удалите каждый ключ для затягивания или гаечный ключ перед включением электроинструмента. Ключ для затягивания или гаечный ключ, прикрепленный к вертящейся части электроинструмента, может привести к трудовому инциденту.
- e) Не перетягивайте. Поддерживайте правильное положение и равновесие в течение всей работы. Это позволит лучше управлять электроинструментом при неожиданных ситуациях.
- f) Носите подходящую рабочую одежду. Не носите широкую одежду или украшения. Держите свои волосы, одежду и перчатки далеко от движущихся частей. Широкая одежда, бижутерия или длинные волосы могут попасть в движущиеся части.
- g) Если электроинструмент снабжен приспособлением для пыли, убедитесь, что оно правильно установлено и правильно используются. Использование этих устройств может понизить связанные с пылью опасности.

#### 4. ЭКСПЛУАТАЦИЯ И УХОД ЗА ЭЛЕКТРОИНСТРУМЕНТАМИ

- a) Не перегружайте электроинструмент. Используйте правильно выбранный электроинструмент согласно его назначению. *Правильно подобранный электроинструмент работает лучше и безопасней для объявленного режима работы, для которого он спроектирован.*
- b) Не используйте электроинструмент в случае, если выключатель не переключается во включенное и исключенное положение. *Каждый электроинструмент, который не может управляться с помощью его выключателя, опасен и подлежит ремонту.*
- c) Отключите штепсель от электросети перед тем, как начать любые настройки, перед заменой принадлежностей или перед тем, как убрать электроинструмент для хранения. *Эти меры предосторожности снижают риск невольного пуска электроинструмента.*
- d) Сохраняйте неиспользованные электроинструменты в местах, недоступных для детей и не позволяйте обслуживающему персоналу, который не знаком с электроинструментом или инструкциями по эксплуатации, работать с ним. *Электроинструменты являются опасными в руках необученных потребителей.*
- e) Проверяйте электроинструменты. Проверяйте, работают ли нормально и движутся ли свободно движущиеся части, находятся ли в целостности и исправности части, а также проверяйте все прочие обстоятельства, которые могут неблагоприятно повлиять на работу электроинструмента. Если он поврежден, электроинструмент необходимо отремонтировать перед его дальнейшим использованием. *Много инцидентов происходят от плохо обслуженных электроинструментов.*
- f) Поддерживайте режущие инструменты острыми и чистыми. *Правильно поддержанные режущие инструменты с острыми режущими углами режут блокируются и проще управляются.*
- g) Используйте электроинструмент, принадлежности и части инструмента и т.д. в соответствии с этими инструкциями и способом, предусмотренным для конкретного типа электроинструмента, имея в виду рабочие условия и работу, которую необходимо выполнять. *Использование электроинструмента для работы не по назначению может привести к опасной ситуации.*

#### 5. ОБСЛУЖИВАНИЕ

- a) Ремонтируйте ваш электроинструмент у квалифицированного специалиста по ремонту, при этом используйте только оригинальные запасные части. *Это обеспечивает сохранение безопасности электроинструмента.*

## IV - Дополнительные правила безопасности при работе с электрическими рубанками

- Перед тем как оставить электроинструмент, всегда дождитесь полного останова барабана. *Крутящаяся режущая часть рубанка может зацепиться за поверхность, что может привести к потере контроля и серьезному несчастному случаю.*
- В случае потенциальной возможности касания режущей принадлежности до скрытой электропроводки или до собственного питающего шнура, держите электроинструмент только за изолированные поверхности рукояток. Контакт принадлежности с токоведущим проводом ставит под напряжение также открытые металлические части электроинструмента и может привести к поражению оператора электрическим током.
- Используйте зажимы /скобы/ или другие подходящие средства для закрепления обрабатываемого материала к стабильной основе. *Придерживание обрабатываемого материала руками или к телу неустойчиво и может привести к потере контроля.*
- Всегда носите защитные очки и антифоны и используйте пылезащитную маску.
- Во избежание возможного перегрева всегда разматывайте до конца кабель удлинителя с кабельного барабана.
- В случае необходимости использования удлинителя, убедитесь, что его сечение соответствует номинальному току используемого электроинструмента, а также и в исправности удлинителя.
- После продолжительной работы внешние металлические части и принадлежности могут нагреться.
- Всегда выключайте электроинструмент перед тем, как отложить его в сторону.
- Не подвергайте электроинструмент перегрузке - работайте на разумной скорости. Перегрузка возникает при чрезмерно сильном натиске, при этом электродвигатель начинает вращаться медленнее, что обуславливает снижение эффективности и вероятность повреждения электродвигателя.
- Если возможно, всегда используйте систему пылеотвода.
- В рабочей зоне не допускается наличие тряпок, полотенец, волокон, бечевки, шнуров и др.
- Перед началом работы удалите с обрабатываемой детали все гвозди, винты и другие инородные тела. При врезании в гвоздь или другое металлическое тело Вы можете повредить лезвие и электроинструмент, что является предпосылкой несчастного случая.
- Будьте исключительно осторожны, когда трогае-те лезвие.



- Перед началом работы убедитесь в том, что винты для закрепления лезвий хорошо затянуты.
- Держите крепко электроинструмент двумя руками.
- Берегите руки от движущихся частей.
- Перед началом работы электроинструментом дайте ему поработать на холостом ходу определенное время. Следите за наличием вибраций, которые являются признаком плохого монтажа или неправильного балансирования лезвий.
- Когда включаете электроинструмент убедитесь в том, что ни одно из лезвий не находится в контакте с обрабатываемой поверхностью.
- Подождите пока лезвия наберут полную скорость перед тем, как начать строгание.
- При работе держите электроинструмент на расстоянии минимум 200 мм от своего лица и тела.
- Всегда выключайте электроинструмент и ждите полной остановки лезвий перед тем, как осуществлять какие-либо настройки.
- Никогда не ставьте палец в желоб для стружки. Они могут застрять в желобе при резке мокрой древесины. Почистите стружку с помощью палки, но только когда машина выключена и штепсель удален из розетки.
- Не оставляйте электроинструмент работать без надзора. Работайте с ним только когда контролируете его обеими руками.
- Отставляя рубанок, выключите его и прислоните к деревянному бруску вверх передней подошвой, так, чтобы лезвия ни с чем не соприкасались.
- Всегда заменяйте все три лезвия одновременно, в противном случае возникший дисбаланс приведет к нестабильности и сократит жизнь лезвий и самого электроинструмента.



**ПРЕДУПРЕЖДЕНИЕ:** Перед тем, как включить электроинструмент в сеть питания (розетку, фанонку, буксу) убедитесь в том, что напряжение питания соответствует указанному на табличке электроинструмента. Напряжение питания выше номинального может привести к травмам потребителя, а также повреждению инструмента.

- Если Вы не уверены в величине напряжения, не включайте электроинструмент.
- Если напряжение ниже номинального, электродвигатель будет поврежден.
- Электроинструмент должен использоваться только по назначению. Любое другое использование, отличающееся от описанного в настоящей инструкции, будет считаться неправильным использованием. Ответственность за любое повреждение или ущерб, проистекающие от неправильного использования, будет нести потребитель, а не производитель.
- Для правильной эксплуатации этого электроинструмента необходимо соблюдать правила безопасности, общие инструкции и указания по работе, указанные здесь. Все потребители должны ознакомиться с этой инструкцией по эксплуатации и быть информированными о потенциальных

рисках при работе с электроинструментом. Дети и физически слабые люди не должны использовать электроинструмент. Дети должны быть под постоянным наблюдением, если они находятся вблизи места, в котором работают с электроинструментом. Необходимо принять и превентивные меры безопасности. То же самое касается и выполнения основных правил, касающихся профессионального здоровья и безопасности.

- Производитель не несет ответственности за осуществленные потребителем изменения по электроинструменту или за повреждения, вызванные подобными изменениями.

Даже когда электроинструмент используется по назначению, невозможно пренебрегать всеми остаточными факторами риска. Перечисленные ниже опасности могут возникнуть в связи с конструктивными особенностями и дизайном электроинструмента.

- Проблемы со слухом, если не используются эффективные меры защиты.
- Всегда отключайте штепсель из розетки перед тем, как ремонтировать или настраивать электроинструмент, в том числе и когда меняете лезвия или регулируете глубину строгания.
- Прикосновение к лезвиям.
- Проникновение в рабочую зону под подошву при работающем инструменте.
- Отскок (обратный удар) обрабатываемой детали или ее кусков.
- Поломка лезвия.
- Вылет кусочков поврежденного лезвия.
- Электроинструмент не следует использовать под открытым небом в дождливую погоду, во влажной среде (после дождя) или вблизи легко воспламеняющихся жидкостей и газов. Рабочее место должно быть хорошо освещено.

## V - Узнай больше о своем инструменте

Перед началом работы ознакомьтесь со всеми функциями инструмента и правилами безопасной работы. Используйте электроинструмент и его аксессуары только по назначению.

1. Регулируемая /подвижная/ передняя опора
2. Регулятор настройки глубины строгания
3. Наконечник для пылеотвода
4. Пусковая кнопка /переключатель/
5. Кнопка блокировки / Блокирующая кнопка переключателя/
6. Рукоятка
7. Гнездо хранения гаечного
8. Крышка движущего/приводного/ ремня
9. Гаечный ключ
10. Мешок для пыли
11. Барабан для лезвий
12. Двусторонне заточенное лезвие
13. Затягивающий винт
14. Палец



## VI - Указания по работе

Этот электроинструмент рассчитан на питание от однофазной сети переменного тока. Выполнена двойная изоляция согласно EN 60745 и IEC 60745, так что машину можно использовать с контактами без защитных клемм. Радиопомехи соответствуют Директивы Европейского парламента и Совета 2004/108/ЕС относительно электромагнитной совместимости.

### ПЕРЕД НАЧАЛОМ РАБОТЫ

- Убедитесь, что напряжение электросети соответствует обозначениям на табличке с техническими данными машины.
- Убедитесь, что кабель питания и его штепсель в исправном состоянии. Замена неисправного кабеля питания должна быть выполнена производителем или специалистом фирменного сервиса, во избежание риска неподходящей замены.

### НАСТРОЙКА ГЛУБИНЫ СТРОГАНИЯ



**ПРЕДУПРЕЖДЕНИЕ:** Убедитесь, что электроинструмент выключен и штепсель вынут из контакта перед настройкой или заменой лезвий рубанка.

1. Для увеличения глубины строгания поверните ручку настройки глубины строгания (2) по часовой стрелке, а для уменьшения глубины строгания – в обратную сторону (Рис. 1).
2. Цифра на шкале регулятора настройки глубины строгания указывает глубину строгания.
3. Если необходимо точно определить глубину строгания, выполните обработку на ненужном куске дерева, измерьте разницу в толщине и по мере необходимости проведите повторную настройку.



**ПРЕДУПРЕЖДЕНИЕ:** Если рубанок не используется, убедитесь, что регулятор находится в положении „0”, в этом положении лезвие не может врезаться в обрабатываемую деталь.

### МОНТАЖ И ДЕМОНТАЖ ЛЕЗВИЙ



**ПРЕДУПРЕЖДЕНИЕ:** Убедитесь, что электроинструмент выключен и штепсель вынут из розетки перед заменой лезвий.

Рубанок оснащен двусторонне заточенными лезвиями. Лезвия могут использоваться с двух сторон. Когда обе стороны лезвий уже использованы, лезвие необходимо заменить.

**ЗАМЕЧАНИЕ:** Лезвия не подлежат переточке.

### ДЕМОНТАЖ ЛЕЗВИЙ



**ПРЕДУПРЕЖДЕНИЕ:** Лезвия очень острые. Будьте очень внимательны когда берете лезвия.

1. Ослабьте три затягивающих винта (13) с помощью гаечного ключа (9).
2. Выньте лезвие (12) из паза в барабане (11), где он находится (Рис. 2).

### МОНТАЖ ЛЕЗВИЯ

1. Переверните лезвие (12) или замените его новым.
2. Возьмите новое лезвие и вставьте его в паз барабана.

**ЗАМЕЧАНИЕ:** Заточенная поверхность (кромка) лезвия должна смотреть в сторону в сторону затягивающих винтов (13).

3. Равномерно затяните винты (13). В первую очередь затяните два внешних винта и затем затяните винт, находящийся по середине.
4. Повторите вышеописанные действия с другим лезвием.

**ЗАМЕЧАНИЕ:** Всегда производите замену двух лезвий одновременно, чтобы избежать разбалансировки, опасных вибраций и возможного повреждения электроинструмента.



**ПРЕДУПРЕЖДЕНИЕ:** Перед тем как заменить лезвия, очистите барабан (11) и лезвия от стружек. Используйте лезвия того же размера и веса, что и оригинальные, иначе рубанок будет вибрировать. Это приведет к некачественному строганию и возможной поломке электроинструмента. При установке лезвий тщательно затяните винты (13). Потеря крепежного винта весьма опасна. Регулярно проверяйте, хорошо ли затянуты винты.



**ПРЕДУПРЕЖДЕНИЕ:** Рубанок работает с лезвиями, которые установлены горизонтально и хорошо затянуты на своих местах. Когда вы устанавливаете новые лезвия, очень важно, чтобы они были расположены на своих местах под прямым углом, а их режущие части расположены параллельно относительно задней опоры. Только после выполнения всех этих условий допускается затяжение винтов. Если лезвия выступают наружу или расположены не под прямым углом, возможно, что они упрутся в корпус, что создаст серьезную опасность для оператора и посторонних лиц. Лезвие в барабане должно быть центрировано.

**ЗАМЕЧАНИЕ:** Если лезвия установлены и затянуты недостаточно хорошо, обрабатываемая поверхность будет шероховатой и неровной.

Данные примеры указывают на правильный и неправильный монтаж:

- **Чистое строгание** (Рис. 3)
- **Неровности на поверхности** – кромка лезвия или все лезвия непараллельны задней опоре (Рис. 4).
- **Выдалбливание в начале** - если кромка одного или двух лезвий выступает недостаточно относительно задней опоры (Рис. 5)
- **Выдалбливание в конце** - если кромка одного или двух лезвий слишком сильно выступает относительно задней опоры (Рис. 6).

#### ПРИМЕЧАНИЕ:

- (а) Передняя опора (движущаяся часть)
- (б) Задняя опора (неподвижная часть)



**ВНИМАНИЕ:** Два шестигранных винта, маркированных красной краской, не подлежат регулировке. Положение этих винтов может меняться только производителем.

## ВКЛЮЧЕНИЕ – ВЫКЛЮЧЕНИЕ



**ПРЕДУПРЕЖДЕНИЕ:** Перед включением штепселя в контакт всегда проверяйте исправность пусковой кнопки (4) и кнопки блокировки (5). Перед пуском рубанка убедитесь, что барабан для лезвий не касается никакой поверхности.

1. Включите штепсель в контакт, нажмите кнопку блокировки (5) и нажмите на пусковую кнопку (4). (Рис. 8)
2. Остановка рубанка происходит после отжатия пусковой кнопки (4).
3. Если желаете перезапустить рубанок, необходимо одновременно задействовать кнопку блокировки (5) и пусковую кнопку (4). Это важно для обеспечения безопасности при работе с рубанком. (Рис. 9)



**ПРЕДУПРЕЖДЕНИЕ:** Просим обратить внимание на то, что лезвия после выключения рубанка определенное время продолжают свое движение. Перед тем, как оставить рубанок, во избежание повреждения лезвий или поверхности, дождитесь полной остановки электродвигателя.

## СТРОГАНИЕ

1. Установите переднюю опору (1) горизонтально к поверхности так, чтобы лезвия не касались поверхности обработки.
2. Включите рубанок и подождите, пока лезвия достигнут максимальной скорости.
3. Ведите рубанок вперед внимательно, оказывая на него нажим.
4. Дойдя до конца обрабатываемой детали, поднимите рубанок, не наклоняя его вниз.
5. Скорость и глубина строгания определяют каче-

ство конечного продукта. Для более грубой обработки можно увеличить глубину строгания. Более ровную поверхность можно получить, снизив глубину и скорость строгания.

**ПРИМЕЧАНИЕ:** Стругание идет легче, если установить обрабатываемую деталь под небольшим наклоном вниз и вне.



**ПРЕДУПРЕЖДЕНИЕ:** При увеличении скорости качество обработки поверхности ухудшается и возрастает опасность поломки лезвий или электродвигателя. Очень медленное строгание может привести к обгоранию или повреждению обрабатываемой поверхности.

Оптимальная скорость зависит от вида обрабатываемого материала и глубины строгания.

Для определения оптимальной скорости и глубины строгания проведите пробное строгание на ненужном куске обрабатываемого материала.



**ПРЕДУПРЕЖДЕНИЕ:** Закрепите обрабатываемый материал на рабочем столе.

## СНЯТИЕ ФАСКИ (Fig. 10)

V-образные каналы в подвижном переднем основании (1) позволяют быстрое и легкое снятие фасок. В зависимости от желаемой ширины фаски установите соответствующий V-образный канал на кромку обрабатываемого материала и перемещайте рубанок параллельно кромке.

## УДАЛЕНИЕ СТРУЖЕК

1. Вставьте мешок для пыли (10) в отверстие (3).
2. Для эффективного удаления пыли и стружек можно подсоединить наконечник (3) к системе пылеотвода или к пылесосу. Таким образом вы обеспечите более безопасную и чистую рабочую среду.

## ЗАМЕНА ДВИЖУЩЕГО РЕМНЯ



**ПРЕДУПРЕЖДЕНИЕ:** Перед сменой настроек или заменой лезвий убедитесь, что электроинструмент выключен и штепсель вынут из контакта.

1. Для замены движущего ремня сначала выверните винты с крестовой головкой, которые придерживают крышку движущего ремня (8) с левой стороны рубанка (вид сзади).
2. Удалите поврежденный ремень, снимая его с верхнего шкива и вращая при этом нижний шкив. Используйте мягкую щетку для очистки шкивов и окружающей площадки.

**ЗАМЕЧАНИЕ:** При почистке шкивов носите защитные очки.

3. Три прямых /непрерывных/ профиля ▲ с внутренней стороны ремня должны войти в три “V” – об-разные прорезы шкива. Наденьте новый ремень на нижний шкив. Другой конец ремня набросьте на верхний шкив и крутите его , пока ремень не натянется и оба шкива не начнут вращаться.
4. Убедитесь рукой, что ремень крутится свободно.
5. Наденьте крышку и затяните три винта.
6. Включите штепсель в контакт, включите рубанок на одну-две минуты, чтобы убедиться, что двига-тель и ремень работают исправно.

## ПРИНАДЛЕЖНОСТИ

Комплект из 2-х лезвий/монтированных/, парал-лельная направляющая линейка с подсоединяю-щим винтом, мешок для пыли, гаечный ключ.

## VII - Обслуживание



**ПРЕДУПРЕЖДЕНИЕ:** Перед началом любой операции по проверке или обслуживанию обязательно выключить электроинструмент и вы-нуть штепсель из контакта.

Проверять и регулярно затягивать винты на корпу-се машины. При продолжительном использовании винты могут разболтаться от вибраций. Смазывать регулярно все движущиеся части.

### ОБЩАЯ ПРОВЕРКА

Когда щетки изнашиваются, необходимо одновремен-но заменить обе щетки на оригинальные в сервисе SPARKY гарантийного и после гарантийного обслу-живания.

Если поврежден кабель питания, во избежание воз-можных опасностей, его замену должен выполнить производитель или оторизированный сервисный спе-циалист.

### ОЧИСТКА

Машина и вентиляционные отверстия должны быть чистыми для гарантирования безопасной работы. Следить и регулярно устранять чужие частицы и пыль с вентиляционной решетки в близости от электродвигателя и в выключателях.

Использовать мягкую щетку для устранения нако-пленной пыли. Во время чистки носить защитные очки, чтобы предохранить глаза.

Корпус машины вытирать мягкой влажной тряпкой. Можно использовать раствор неагрессивного мою-щего средства.



**ПРЕДУПРЕЖДЕНИЕ:** Не допускается ис-пользование спирта, бензина и прочих раствори-телей. При чистке пластмассовых частей запре-щено использование разъедающих средств.



**ПРЕДУПРЕЖДЕНИЕ:** Не допускать попа-дания воды и брызг в машину.

**ВАЖНО!** Для гарантирования безопасной и надеж-ной работы электроинструмента все операции по ремонту, обслуживанию и регулированию (включи-тельно проверка и замена на щеток) должны быть выполнены в оторизированных сервисах SPARKY с использованием исключительно оригинальных за-пасных частей.

## VIII - Гарантия

Гарантийный срок электроинструментов SPARKY указан в гарантийной карте.

Неисправности, появившиеся в результате есте-ственного изнашивания, перегрузки или неправиль-ной эксплуатации, не входят в гарантийные обяза-тельства.

Неисправности, появившиеся вследствие приме-нения некачественных материалов и/или из-за про-изводственных ошибок, устраняются без дополни-тельной оплаты путем замены или ремонта.

Рекламации дефектного электроинструмента SPARKY принимаются в том случае, если машина будет возвращена поставщику, или специализированному гарантийному сервису в не разобранном (первоначальном) состоянии.

## Замечания

Внимательно прочитайте всю инструкцию по экс-плуатации перед тем, как использовать это изде-лие.

Производитель сохраняет за собой право вносить в свои изделия улучшения и изменения, а также из-менять спецификации без предупреждения. Спецификации для разных стран могут различать-ся.



## Зміст

I – Введення.....	71
II – Технічна специфікація.....	73
III – Загальні вказівки з техніки безпеки при роботі електроінструментів.....	74
IV – Додаткові правила безпеки електричних рубанків.....	75
V – Знайомство з електроінструментом.....	76
VI – Вказівки по роботі.....	76
VII – Обслуговування.....	78
VIII – Гарантія.....	79

### РОЗПАКУВАННЯ

Електроінструмент поставляється укомплектованим, у справному вигляді. У разі виявлення невідповідностей не рекомендуємо використовувати інструмент до тих пір, поки виявлений дефект не буде усунуто. Невиконання цієї рекомендації може стати причиною травми.

### ЗБІРКА

Рубанок P 160 поставляється в упакованому і повністю зібраному вигляді, за винятком мішечка для пилу.

## I - Введення

Придбаний Вами електроінструмент SPARKY перевершить Ваші очікування. Він зроблений у відповідності до високих стандартів якості SPARKY, що відповідають суворим вимогам споживача. Його легко обслуговувати і він безпечний при експлуатації, при правильному використанні цей електроінструмент буде служити Вам довгі роки.



#### ЗАСТЕРЕЖЕННЯ!

Прочитайте уважно і цілком інструкцію з експлуатації, перед використанням новопридбаного електроінструменту SPARKY. Зверніть спеціальну увагу на параграфи, позначених словом "Застереження". У Вашого електроінструменту SPARKY багато якостей, які полегшують роботу. При розробці цього інструменту основну увагу було направлено на безпеку, експлуатаційні якості і надійність, які полегшують його обслуговування і експлуатацію.



#### Не викидайте електроінструменти разом з побутовими відходами!

Відходи від електричних виробів не варто збирати разом з побутовими відходами. Будь ласка, викидайте в місцях, призначених для цього. Зв'яжіться з місцевою владою або представником для консультації щодо повторної переробки.



#### ОХОРОНА НАВКОЛИШНЬОГО СЕРЕДОВИЩА

З урахуванням охорони навколишнього середовища електроінструмент, приналежності й упаковки повинно надати відповідній переробці для повторного використання сировини, що міститься в них. Для полегшення повторної переробки деталей, зроблених з штучних матеріалів, вони позначені відповідним чином.

## ОПИС СИМВОЛІВ

На таблиці з даними електроінструменту нанесені спеціальні символи. Вони являють собою важливу інформацію про використання інструмента і його характеристики.



Користуйтеся захистними масками.



Користуйтеся захистними навушниками  
Користуйтеся захистними окулярами.



Подвійна ізоляція для додаткового захисту



Підключення пиłosоса



Відповідає чинним європейським директивам



Відповідність вимогам російських нормативних документів



Відповідність вимогам українських нормативних документів



Ознайомтеся з інструкцією для користування

YYYY-Www

Термін виробництва, де змінними символами є:  
YYYY - рік випуску, ww – черговий календарний тиждень

P

РУБАНОК

## II - Технічні дані

<b>Модель:</b>	<b>P 160</b>
• Споживана потужність	450 W
• Номінальна швидкість	16000 min <sup>-1</sup>
• Глибина стругання	0–1.5 mm
• Ширина стругання	60 mm
• Вага (ЕРТА процедура 01/2003):	1.8 kg
• Клас захисту (EN 60745) 	II

### ІНФОРМАЦІЯ ПРО ШУМ ТА ВІБРАЦІЇ:

#### • Рівень шуму (Значення заміряні відповідно до стандарту EN 60745)

A- зважений рівень звукового тиску L <sub>рА</sub>	83 dB(A)
Невизначеність K <sub>рА</sub>	3 dB
A- зважений рівень звукової потужності L <sub>вА</sub>	94 dB(A)
Невизначеність K <sub>вА</sub>	3 dB



**Використовуйте засоби захисту від шуму!**

#### • Рівень вібрацій (заміряний відповідно до стандарту п.6.2.7 EN 60745-1:2006):

Сумарні значення вібрацій (векторна сума трьох напрямків) визначені відповідно до EN 60745

Розмір вібрацій a <sub>СНeq</sub>	3 m/s <sup>2</sup>
Невизначеність K <sub>СНeq</sub>	1.5 m/s <sup>2</sup>

\* Вказаний в інструкції рівень вібрацій виміряний відповідно до встановлених EN 60745 методик випробувань, і може використовуватися для порівняння електроінструментів. Рівень вібрацій може використовуватися для попередньої оцінки впливу.

Зазначений рівень вібрацій надано за умови використання інструменту за його прямим призначенням. У тих випадках, коли електроінструмент використовується для інших цілей, з іншими речами, рівень вібрацій може відрізнятися від зазначеного. У цих випадках рівень впливу може значно зрости в рамках загального періоду роботи.

Для точної оцінки впливу вібрацій, під час певного періоду роботи необхідно враховувати проміжки часу, в які електроінструмент вимкнено, або хоча і включений, але фактично не використовується. Це може істотно скоротити вплив вібрацій протягом всього періоду роботи.

Зберігайте електроінструмент і його речі в гарному стані. Під час роботи намагайтеся зберігати руки теплими - це допоможе зменшити шкідливий вплив при роботі з підвищеною вібрацією.

Пил матеріалів, наприклад - фарби з вмістом свинцю, деяких сортів деревини, мінералів і металу може бути шкідливим для здоров'я. Дотик до пилу і потрапляння пилу в дихальні шляхи може викликати алергічні реакції та / або захворювання дихальних шляхів оператора або персоналу, що знаходиться поблизу.

Певні види пилу, наприклад, з дуба та бука, вважаються канцерогенними, особливо, спільно з присадками для обробки деревини (хромат, засіб для захисту деревини, тощо). Матеріал з вмістом азбесту дозволяється обробляти тільки фахівцям.

- По можливості застосовуйте відсмоктування пилу.
- Для досягнення максимально високої ефективності збирання пилу при роботі з даним приладом, використовуйте пилосос, призначений для збору пилу з деревини або для пилу з деревини та / або мінерального пилу.
- Слідкуйте за хорошою вентиляцією.
- Рекомендується користуватися дихальною захисною маскою з фільтром класу P2.

Дотримуйтесь розпорядження щодо оброблюваних матеріалів, що діють у Вашій країні.

### III - Загальні вказівки з безпеки при роботі з електроприладами



**ЗАСТЕРЕЖЕННЯ!** Прочитайте всі **ЗАСТЕРЕЖЕННЯ** і вказівки з безпеки. *Недодержання попереджень і вказівок з безпеки може призвести до ураження електричним струмом, пожежі та / або важкого поранення. Збережіть всі ЗАСТЕРЕЖЕННЯ та вказівки для подальшого використання.*

Термін "електроприлад" у всіх зазначених нижче застереженнях стосується вашого електроприладу, з живленням від мережі (з кабелем), та / або електроприладу з живленням від акумуляторної батареї (без кабелю).

#### 1. БЕЗПЕКА РОБОЧОГО МІСЦЯ

- a) Утримайте робоче місце в чистоті і добре освітленим. Безлад і недостатнє освітлення є передумовою виникнення трудових інцидентів.
- b) Не працюйте з електроприладами у вибухонебезпечній атмосфері при наявності займистих рідин, газів або пилу. Електроприлади створюють іскри, що можуть займати пил або пар.
- c) Тримайте дітей та сторонніх осіб на відстані, коли працюєте з електроприладом. Розсіювання уваги може призвести до втрати контролю з Вашого боку.

#### 2. ЕЛЕКТРИЧНА БЕЗПЕКА

- a) Штепселі електроприладів повинні відповідати контактним гніздам. Ніколи не змінюйте штепсель у будь-який спосіб. Не використовуйте будь-які адаптерні штепселі для електроприладів із захисним заземленням. Використання оригінальних штепселів і відповідних їм контактів зменшує ризик удару електричним струмом.
- b) Уникайте дотику тіла з землею або заземленими поверхнями, такими як труби, радіатори, кухонні плити та холодильники. Якщо ваше тіло заземлене, існує підвищений ризик ураження електричним струмом.
- c) Не залишайте електроприлади під дощем або у вологому середовищі. Проникнення води в електроприлади підвищує ризик ураження електричним струмом.
- d) Використовуйте кабель за призначенням. Ніколи не використовуйте кабель для перенесення електроприладу, натягування або відключення штепселя з контактного гнізда. Тримайте кабель далеко від тепла, олії, гострих кутів, що рухаються. Пошкоджені або заплутані кабелі підвищують ризик поразок електричним струмом.
- e) Під час зовнішніх робіт використовуйте по-

довжувач, що підходить для цих цілей. Використання подовжувача, призначеного для зовнішніх робіт, зменшує небезпеку від ураження електричним струмом.

- f) У випадку, якщо робота з електроприладом у вологому середовищі неминуча, використовуйте запобіжні пристрій, який робить на залишковому струмі для переривання подачі струму. Використання запобіжного пристрою зменшує ризик ураження електричним струмом.

#### 3. ОСОБИСТА БЕЗПЕКА

- a) Будьте пильні, працюйте з підвищеною увагою і проявляйте розсудливість, коли працюєте з електроприладом. Не використовуйте електроприлад, коли ви стомлені, або під впливом наркотиків, алкоголю, медикаментів, тощо. Одна мить неувваги при роботі з електроприладом може призвести до серйозної виробничої травми.
- b) Використовуйте індивідуальні засоби захисту. Носіть завжди захисні окуляри. Індивідуальні засоби захисту, такі як маска проти пилу, неслизьке взуття, захисний шолом або засоби для захисту слуху, що використовуються в конкретних умовах, знижують ризик виникнення виробничих травм.
- c) Уникайте мимовільного пуску інструменту. Переконайтеся, що вимикач знаходиться в положенні "вимкнено" перед включенням в джерело живлення та / або акумуляторної батареї, перед тим, візьмете в руки або перенесите. Носіння електроприладу з пальцем на вимикачі або підключення до джерела живлення електроінструменту з вимикачем у включеному положенні є передумовою для виробничої травми.
- d) Видаліть кожен гайковий ключ перед включенням електроприладу. Ключ для затягування або гайковий ключ, прикріплений до частини електроприладу, що обертається, може призвести до трудового інциденту.
- e) Не простягайтесь занадто. Підтримуйте правильне положення і рівновагу протягом всієї роботи. Це дозволить краще керувати електроприладом у несподіваних ситуаціях.
- f) Носіть придатний одяг. Не носіть широкий одяг або прикраси. Тримайте своє волосся, одяг і рукавички далеко від рухомих частин. Широкий одяг, біжутерія та довге волосся можуть потрапити в рухомі частини.
- g) Якщо електроприлад має пристосування для пилу, переконайтеся, що воно правильно встановлено і правильно використовується. Використання цих пристроїв може знизити пов'язані з пилом небезпеки.

#### 4. ЕКСПЛУАТАЦІЯ І ДОГЛЯД ЗА ЕЛЕКТРОПРИЛАДАМИ

- a) Не первантажуйте електроприлад. Використовуйте правильно вибраний електроприлад згідно з його призначенням. Правильно підібраний електроприлад працює краще і безпечніше

для оголошеного режиму роботи, для якого він спроектований.

- b) Не використовуйте електроприлад у випадку, якщо вимикач не переходить у включену і виключену позицію. Кожен електроприлад, який не може управлятися за допомогою вимикача, є небезпечним і підлягає ремонту.
- c) Вимкніть штепсель від електромережі перед тим, як почати будь-які налаштування, перед заміною приладдя або перед тим, як прибрати електроприлад для зберігання. Ці запобіжні заходи знижують ризик мимовільного пуску електроприладу.
- d) Зберігайте невикористані електроприлади в місцях, недоступних для дітей, і не дозволяйте користуватися ним обслуговуючому персоналу, який не знайоми з електроприладом або інструкціями з експлуатації. Електроприлади є небезпечними в руках ненавчених споживачів.
- e) Перевіряйте електроприлади. Перевіряйте, чи працюють нормально і рухаються вільно рухомі частини, чи знаходяться в цілості і справності усі частини, а також перевіряйте всі інші обставини, які можуть негативно вплинути на роботу електроприладу. У разі ушкодження електроприлад необхідно відремонтувати перед його подальшим використанням. Багато інцидентів заподіюються у випадку поганого обслуговування електроприладів.
- f) Підтримуйте ріжучі інструменти гострими і чистими. Правильно підтримані ріжучі інструменти з гострими кутами рідше блокуються і простіше управляються.
- g) Використовуйте електроприлад, приналежності (комплектуючі) і частини інструменту і т.д. відповідно до цих інструкцій та у засіб, передбачений для конкретного типу електроприладу, маючи на увазі робочі умови і роботу, яку необхідно виконувати. Використання електроприладу для роботи не за призначенням може призвести до небезпечної ситуації.

## 5. ТЕХНІЧНЕ ОБСЛУГОВУВАННЯ

- a) Ремонтуйте ваш електроприлад у кваліфікованого фахівця з ремонту, при цьому використовуйте тільки оригінальні запасні частини. Це забезпечує безпеку електроприладу.

## IV - Додаткові правила техніки безпеки при роботі електричного приладу

- Перед тим, як відкласти електроінструмент, завжди почекайте, поки барабан повністю зупиниться. Відкрита ріжуча частина рубанка може врізатися в поверхню і привести до втрати контролю та нещасного випадку.
- Тримайте електроінструмент тільки за ізолю-

вану поверхню при здійсненні операцій, під час яких ріжуча частина може доторкнутися до прихованої електропроводки або до власного шнуру. Дотик до кабелю під напругою передасть електрона пруги на металеві частини електроприладу і оператор отримає удар струму.

- Використовуйте скоби або інший належний засіб для закріплення оброблюваного матеріалу на стабільній основі. Утримання оброблюваного матеріалу рукою або тілом не є стійким і може привести до втрати контролю.
- Завжди користуйтеся захисними окулярами і антيفонами, використовуйте маску для пилу.
- Для запобігання перегріву завжди розкручуйте кабель з кабельного барабана до кінця.
- При необхідності використовувати подовжувач, переконайтеся в тому, що його перетин відповідає номінальному току електроінструмента. Перевірте справність подовжувача.
- Після тривалої роботи зовнішні металеві частини та приладдя можуть сильно нагрітися.
- Завжди вимикайте електроприлад перед тим, як відкласти його в сторону.
- Не перевантажуйте електроінструмент - залиште його працювати на розумній швидкості. Перевантаження в результаті надмірного тиску уповільнює електродвигун, знижує ефективність роботи і може пошкодити електродвигун.
- Завжди, коли це можливо, використовуйте систему відведення пилу.
- Ганчірки, одяг, кабелі та інше не слід залишати поблизу робочого місця.
- Не зберігайте цвяхи, болти та інші предмети на робочому місці. Можна пошкодити леза і сам електроінструмент, якщо він наткнеться на цвях або інший невідповідний предмет.
- Під час роботи лез проявляйте виняткову увагу.
- До початку робіт перевірте надійність закручених болтів і кріплення лез.
- Утримуйте електроінструмент міцно двома руками.
- Бережіть руки від рухомих частин
- До початку робіт залиште електроінструмент на короткий час для роботи на холостому ходу.
- Спостерігайте наявність вібрацій, які говорять про поганий монтаж або неправильно збалансовані леза.
- Переконайтеся, що ніж не стикається з оброблюваною поверхнею при включенні електроінструменту.
- Почекайте, поки леза наберуть повну швидкість, після чого приступайте до роботи.
- Тримайте електроінструмент під час роботи на відстані мінімум 200 mm від свого тіла.
- Завжди вимикайте електроприлад і почекайте, поки леза повністю зупиняться, і лише після цього приступайте до якого-небудь налаштування.
- Ніколи не вставляйте свій палець у щілину для стружок. Вони можуть засісти в час обробки вологого дерев'яного матеріалу. Видаліть стружку паличкою, але тільки при вимкненому інструменті і вийнятому штепселі із розетки.
- Не залишайте електроінструмент працювати без нагляду. Використовуйте інструмент тільки якщо

ви можете контролювати його обома руками, інакше можна поранитися.

- **Робіть заміну обох лез одночасно, в іншому випадку виникає дисбаланс, що призведе до нестабільності і скоротить життя як лез, так і самого електроінструменту.**



**ЗАСТЕРЕЖЕННЯ:** Перед тим, як включити електроінструмент в електромережу (розетку, фасунг, буксу) переконайтеся в тому, що її напруга відповідає вказаному на табличці електроприладу. Напруга вище номінального може привести до серйозних травм оператора, а також пошкодити цей пристрій.

- Якщо напруга нижче номінального, електродвигун пошкодиться.
- Електроінструмент необхідно використовувати тільки за призначенням. Будь-яке інше вживання, різне від описаного в даній інструкції, вважатиметься неправильним вживанням. Відповідальність за будь-яке пошкодження або поранення, викликані неправильним вживанням, несе споживач, а не виробник.
- Для правильної експлуатації цього електроінструменту необхідно дотримуватися правил безпеки, загальних інструкцій та вказівок по роботі, вказаних тут. Всі споживачі повинні ознайомитися з цією інструкцією по експлуатації та отримати інформацію про можливі ризики при роботі електроінструменту. Діти і фізично слабкі люди не повинні користуватися цим приладом. Діти повинні бути під постійним наглядом, якщо вони знаходяться поблизу місця, де працює електроінструмент. В обов'язковому порядку слід вжити превентивні заходи безпеки. Те ж саме стосується і основних правил професійного здоров'я і безпеки. Виробник не несе відповідальність за зміни, внесені споживачем в електроінструмент, а також за пошкодження, викликані цими змінами.

Навіть тоді, коли електроінструмент використовується за призначенням, неможливо усунути всі залишкові чинники ризику. Наведені нижче небезпеки можуть виникнути у зв'язку з конструктивними особливостями і дизайном електроінструменту.

- Проблеми зі слухом, якщо не використовуються ефективні запобіжні заходи.
- Завжди вимикайте штепсель з розетки перед тим, як приступити до ремонту або налаштування електроінструменту, включно при заміні лез або регулювання глибини обробки матеріалу.
- Контакт з лезами.
- Проникнення в робочу зону під основою при працюючій машині.
- Відскік робочого матеріалу або його частини.
- Поломка леза.
- Відскік шматка пошкодженого леза.
- Електроінструмент не слід використовувати під відкритим небом в дощову погоду, у вологому середовищі (після дощу) або поблизу легкозаймистих рідин і газів. Робоче місце має бути добре освітлене.

## V - Знайомство з електроінструментом

Перед початком робіт ознайомтеся з усіма оперативними особливостями і умовами безпеки. Використовуйте електроінструмент і його принадлежности тільки за призначенням. Будь-яке інше застосування категорично заборонено.

- 1 Рухома передня основа вимикач
- 2 Регулятор для настройки глибини робіт
- 3 Наконечник для виведення пилу
- 4 Вимикач
- 5 Блокуюча кнопка вимикача
- 6 Рукоятка
- 7 Місце для зберігання гайкового ключа
- 8 Кришка ремня передачі
- 9 Гайковий ключ
- 10 Мішечок для пилу
- 11 Барабан для лез
- 12 Заточений з двох сторін ніж
- 13 Стягуючий болт
- 14 Палець

## VI - Вказівки по роботі

Електроінструмент харчується однофазною мілівою напругою. Він має подвійну ізоляцію згідно EN 60745 і IEC 60745, і його можна включати в розетки без захисних клем. Радіо-перешкоди відповідають Директиві електромагнітної сумісності 2004/108/ЄС.

### ДО ПОЧАТКУ РОБОТИ

- Перевірте напругу електричної мережі на відповідність параметрам на табличці з технічними даними електроінструменту.
- Переконайтеся у справності кабелю живлення і штепселя. У разі пошкодження кабелю, його заміну повинні виробляти виробник або його сервісний фахівець, щоб уникнути небезпек при заміні.

### НАЛАШТУВАННЯ ГЛИБИНИ РОБІТ



**ЗАСТЕРЕЖЕННЯ:** Переконайтеся в тому, що електроінструмент повністю вимкнений і штепсель вимкнено з розетки перед тим, як приступити до налаштувань або заміни лез.

1. Для більш глибокої роботи встановіть регулятор настройки на глибину обробки (2) за годинниковою стрілкою, а для зменшення глибини - проти годинникової стрілки (Мал. 1).
2. Числа на шкалі регулятора глибини показують настройку рубанка.
3. При необхідності точно визначити глибину обробки, використовуйте непотрібний шматок дерева, виміряйте різницю в глибині, і, якщо необхідно, виконайте повторну настройку.



**ЗАСТЕРЕЖЕННЯ:** Під час простою рубанка переконайтеся в тому, що регулятор знаходиться в позиції "0". У цьому положенні лезо не може врізатися в оброблювану деталь.

## МОНТАЖ І ДЕМОНТАЖ ЛЕЗ



**ЗАСТЕРЕЖЕННЯ:** Переконайтеся в тому, що електроінструмент повністю вимкнений, і штепсель вимкнено з розетки перед тим, як приступити до налаштувань або заміни лез.

Рубанок укомплектований заточеними з двох сторін лезами. Якщо вони зношені з одного боку, їх можна повернути іншою стороною. Якщо леза зношені з обох сторін, їх слід замінити.

**ПРИМІТКА.** Леза не підлягають повторному заточенню.

## ДЕМОНТАЖ ЛЕЗ



**ЗАСТЕРЕЖЕННЯ:** Леза дуже гострі. Торкайтеся до них виключно уважно.

1. Звільнити три стягуючих болта (13), використовуючи гайковий ключ (9).
2. Висуньте лезо (12) з щілини барабана (11), в якій він перебуває (мал. 2).

## МОНТАЖ ЛЕЗ

1. Поверніть лезо іншою стороною (12), або якщо воно зносилося - змініть новим.
2. Візьміть нове лезо і вставте між носієм і кріпленням.

**ПРИМІТКА:** Ребро леза повинно розташовуватися лицьовою стороною до зворотної сторони стягуючих болтів (13).

3. Рівномірно затягніть болти (13). Спочатку затягніть два зовнішніх болта, після чого і болт всередині.
4. Повторіть ці дії з іншим лезом.

**ПРИМІТКА:** Якщо леза зношені, необхідно змінити весь комплект з двох лез, щоб запобігти дисбалансу, небезпечні вібрації і можливе пошкодження електроінструменту.



**ЗАСТЕРЕЖЕННЯ** Монтуючи леза, спочатку почистіть леза і барабан від стружки (11). Використовуйте леза того ж розміру і ваги, як оригінальні, в іншому випадку барабан буде вібрувати. Це знизить якість роботи рубанка і може привести до пошкодження машини. Уважно затягніть болти (13), закручуючи леза в рубанок. Не затягнений болт виключно небезпечний. Регулярно перевіряйте, чи добре закручені болти.



**ЗАСТЕРЕЖЕННЯ :** Рубанок сконструйований так, щоб робочі леза були добре вирівняні і правильно натягнуті. При монтажі нових лез дуже важливо вставляти їх під прямим кутом і до кінця, а їх ріжуча кромка повинна бути ідеально вирівняна - паралельно задній основі. Тільки після виконання цих умов можна приступити до закручування болтів. Якщо леза стирчать назовні, або не встановлені під прямим кутом, вони можуть зачепити корпус, що створить небезпечну ситуацію для оператора і сторонніх осіб. Лезо повинно бути центрованим в барабані.

**ПРИМІТКА:** Якщо леза не монтовані правильно, оброблювана поверхня вийде грубою і нерівною.

На прикладах нижче представлено правильний і неправильний монтаж:

- **Чиста робота (мал. 3)**
- **Нерівності на поверхні:** якщо кромка одного або всіх лез не монтовані паралельно задній основі (мал. 4).
- **Поглиблення на початку:** якщо кромка одного або всіх лез не достатньо виступає відносно задньої основи (мал. 5).
- **Поглиблення в кінці:** якщо кромка одного або всіх лез занадто виступає порівняно із задньою основою (мал. 6).

**ПРИМІТКА:**

- (а) Передня основа (рухома частина)
- (б) Задня основа (нерухома частина)



**ЗАСТЕРЕЖЕННЯ:** Два гвинти з внутрішнім шестигранником, марковані червоним кольором, не слід регулювати. Положення цих гвинтів може змінювати тільки виробник.

## ПУСК – ЗУПИНКА



**ЗАСТЕРЕЖЕННЯ:** Перед тим, як увімкнути штепсель в розетку, перевірте справність вимикача (4) і кнопки-блока (5). Перед тим, як включити машину, переконайтеся в тому, що барабан лез не торкається до якої-небудь поверхні.

1. Увімкніть штепсель у розетку, натисніть блокуючу кнопку (5) і натисніть на вимикач (4). (мал. 8)
2. Щоб зупинити машину, просто звільніть вимикач (4).
3. Якщо бажаєте повторно запустити машину, необхідно одночасно задіяти блокуючу кнопку (5) і вимикач (4). Це важливий момент для забезпечення безпеки при роботі машини. (мал. 9)



**ЗАСТЕРЕЖЕННЯ:** Будь ласка, зверніть увагу на те, що леза продовжують певний час обертатися після вимкнення рубанка. Зачекайте, поки електродвигун зупиниться остаточно, після чого відкладіть електроінструмент в сторону, щоб уникнути пошкодження лез або поверхні.

## СТРУГАННЯ

1. Поставте передню основу (1) горизонтально до оброблюваної поверхні, не стикаючи леза з цією поверхнею.
2. Увімкніть електроінструмент і почекайте, поки леза досягнуть повну швидкість.
3. Уважно наведіть машину вперед, вправляючи натиск на рубанок.
4. Переведіть рубанок за кромку оброблюваної деталі, при цьому не нахилиючи його вниз.
5. Швидкість руху рубанка і глибини роботи визначають якість крайнього результату. Для більш грубої обробки можна збільшити глибину обробки. Для більш тонкої обробки необхідно зменшити глибину і повільніше пересувати рубанок.

**ПРИМІТКА:** Процес роботи спроститься, якщо оброблювана деталь розташована під невеликим нахилом в напрямку вниз і убік.



**ЗАСТЕРЕЖЕННЯ:** Занадто швидка подача призведе до погіршення якості оброблюваної поверхні і пошкодження лез або електродвигуна. Занадто повільна подача також може погіршити якість оброблюваної поверхні.

Відповідна швидкість залежить від виду оброблюваного матеріалу і глибини обробки. Спочатку спробуйте рубанок на непотрібному шматку матеріалу, щоб визначити відповідну швидкість і глибину.



**ЗАСТЕРЕЖЕННЯ :** Закріпіть оброблюваний матеріал до робочого столу.

## ЗНЯТТЯ ФАСКИ (Мал. 10)

V-подібні канали рухомої передн. основи (1) дозволяють швидко і просто зняття фаски. Залежно від ширини фаски, встановіть відповідний V-подібний канал на кромку оброблюваного матеріалу і ведіть рубанок паралельно кромці.

## ВИДАЛЕННЯ ТИРСИ

1. Монтуєте мішечок для пилу (10).
2. Для ефективного видалення пилу і стружки можна під'єднати наконечник (3) в систему виведення пилу або пилосос. Таким чином, ви забезпечите більш безпечну і чисту робочу середу.

## ЗАМІНА РЕМЕНЯ ПЕРЕДАЧ



**ЗАСТЕРЕЖЕННЯ:** Переконайтеся в тому, що електроінструмент повністю вимкнений і штепсель вимкнено з розетки перед тим, як приступити до налаштувань або заміни лез.

1. Для заміни ременя передач спочатку відкрутіть три гвинти, які тримають кришку ременя передач (8) з лівого боку рубанка, якщо дивитися ззаду.
2. Вийміть зношений ремінь, знявши його з верхнього ролика, одночасно обертаючи нижній ролик в ручну. Використовуйте м'яку щітку для чистки роликів і місця біля них.

**ПРИМІТКА:** Користуйтеся захисними окулярами під час чищення роликів.

3. Три прямих (безперервних) ▲ профіля з внутрішньої сторони ременя повинні увійти в три «V» канали роликів. Встановіть новий ремінь на нижньому ролику. Встановіть інший кінець ременя близько до верхнього ролика і обертайте, поки він не натягнеться і приведе в рух обидва ролика.
4. Перевірте рукою, чи обертається ремінь вільно.
5. Вставте кришку і затягніть три гвинти.
6. Вставте штепсель в контакт, включіть машину на одну хвилину, щоб переконалися, що електродвигун і ремінь працюють добре.

## ПРИНАЛЕЖНОСТІ

Комплект з 2 лез (монтовани), мішечок для пилу, гайковий ключ.

## VII - Обслуговування



**ЗАСТЕРЕЖЕННЯ:** Завжди вимикайте електроприлади і вийміть штепсель з контакту перед тим, як приступити до будь-якої перевірки або обслуговування.

Регулярно перевіряйте чи добре затягнуті болти корпусу. При тривалому використанні болти можуть розкрутитися від вібрацій. Регулярно змащуйте всі рухомі частини.

## ЗАГАЛЬНА ПЕРЕВІРКА

Зношені щітки слід замінити одночасно на оригінальні щітки в гарантійній майстерні SPARKY. Пошкоджений електричний кабель замінюється тільки виробником або його сервісної фахівцем, щоб уникнути ризиків.

## ЧИСТКА

Для забезпечення безпечної роботи завжди підтримуйте машину і її вентиляційні отвори в чистоті. Регулярно перевіряйте вентиляційні ґрати біля електродвигуна або перемикачів на наявність пилу або



чужорідних тіл. Видаляйте пил м'якою щіткою. Для захисту очей користуйтеся захисними окулярами. Забруднений корпус машини протріть м'якою вологою серветкою. Можна використовувати слабкий миючий засіб.



**ЗАСТЕРЕЖЕННЯ:** Не допускається вживання спирту, бензину або інших розчинників. Ніколи не використовуйте їдкі препарати для чищення пластмасових частин.



**ЗАСТЕРЕЖЕННЯ:** Не допускайте контакту води і цієї машини.

**ВАЖЛИВО!** Для забезпечення безпечної роботи електроінструменту і його надійності, всі види дійності по ремонту, обслуговуванню і регулюванню (включно перевірку і заміну щіток) слід проводити в спеціалізованих сервісах SPARKY з використанням тільки оригінальних запасних частин.

## VIII - Гарантія

Гарантійний термін електроприладів SPARKY вказаний в гарантійній карті

Несправності, що з'явилися в результаті природного зношування, перевантаження або неправильного користування, не входять до гарантійних зобов'язань.

Несправності, що з'явилися внаслідок застосування неякісних матеріалів та / або через виробничі помилки, усуваються без додаткової оплати шляхом заміни або ремонту.

Рекламації дефектного електроприладу SPARKY приймаються у тому випадку, якщо прилад буде повернуто постачальнику, або спеціалізованому гарантійного сервісу в не розібраному (початковому) стані.

## Примітки

Уважно прочитайте всю інструкцію з експлуатації, перед тим, як приступити до використання виробу. Виробник зберігає за собою право вносити у свої вироби поліпшення і зміни, а також змінювати специфікації без застереження.

Специфікації для різних країн можуть відрізнятися.



## Съдържание

I - Въведение .....	80
II - Техническа спецификация .....	82
III - Общи указания за безопасност при работа с електроинструменти .....	83
IV - Допълнителни правила за безопасност с електрически рендета .....	84
V - Запознаване с електроинструмента .....	85
VI - Указания за работа .....	86
VII - Поддръжка .....	88
VIII - Гаранция .....	88

### РАЗОПАКОВАНЕ

В съответствие с общоприетите технологии на производство е необичайно Вашият електроинструмент да е неизправен или някоя от частите му да липсва. Ако забележите, че нещо не е наред, не работете с електроинструмента докато повредената част не се смени или дефектът не бъде отстранен. Неизпълнение-то на тази препоръка може да доведе до сериозни наранявания.

### СГЛОБЯВАНЕ

Рендето Р 160 се доставя опаковано и напълно сглобено, с изключение на торбичката за прах.

## I - Въведение

Новопридобитият от Вас електроинструмент SPARKY ще надхвърли Вашите очаквания. Той е произведен в съответствие с високите стандарти на качеството на SPARKY, отговарящи на строгите изисквания на потребителя. Лесен за обслужване и безопасен при експлоатация, при правилна употреба този електроинструмент ще Ви служи надеждно дълги години.



#### ПРЕДУПРЕЖДЕНИЕ!

Внимателно прочетете цялата инструкция за експлоатация преди да използвате новопридобития си електроинструмент SPARKY. Обърнете специално внимание на текстовете, които започват с думата “Предупреждение”. Вашият електроинструмент SPARKY притежава много качества, които ще улеснят Вашата работа. При разработката на този електроинструмент най-голямо внимание е обърнато на безопасността, експлоатационните качества и надеждността, които го правят лесен за поддръжка и експлоатация.



#### Не изхвърляйте електроинструменти заедно с битовите отпадъци!

Отпадъците от електрически изделия не трябва да се събират заедно с битовите отпадъци. Моля, рециклирайте на местата, предназначени за това. Свържете се с местните власти или представител за консултация относно рециклирането.

#### ОПАЗВАНЕ НА ОКОЛНАТА СРЕДА



С оглед опазване на околната среда електроинструментът, принадлежностите и опаковката трябва да бъдат подложени на подходяща преработка за повторно използване на съдържащите се в тях суровини. За облекчаване на рециклирането детайлите, произведени от изкуствени материали, са обозначени по съответния начин.



## ОПИСАНИЕ НА СИМВОЛИТЕ

На табелката с технически данни върху електроинструмента са изобразени символи. Те представляват важна информация за изделието или указания за неговата употреба.



Носете предпазна маска



Носете антифони  
Носете предпазни очила



Двойна изолация за допълнителна защита



Свързване към прахосмукачка



Съответства на приложимите европейски директиви



Съответства на изискванията на руските нормативни документи



Съответства на изискванията на украинските нормативни документи



Запознайте се с инструкцията за използване


YYYY-Www

Период на производство, където променливи символи са:  
YYYY - година на производство, ww - поредна календарна седмица

P

RENDE

## II - Технически данни

Модел:	P 160
• Мощност:	450 W
• Номинална скорост:	16000 min <sup>-1</sup>
• Дълбочина на рендосване:	0-1.5 mm
• Широчина на рендосване:	60 mm
• Тегло (EPTA процедура 01/2003):	1.8 kg
• Клас на защита (EN 60745) 	II

### Информация за шум и вибрации

• Излъчване на шум (стойн остите са измерени съгласно EN 60745):	
А-претеглено ниво на звуково налягане L <sub>РА</sub>	83 dB(A)
Неопределеност K <sub>РА</sub>	3 dB
А-претеглено ниво на звукова мощност L <sub>WA</sub>	94 dB(A)
Неопределеност K <sub>WA</sub>	3 dB



Използвайте средства за защита от шума!

### • Излъчване на вибрации (определени съгласно т. 6.2.7 на EN 60745-1):

*обща стойност на вибрациите (векторна сума по трите оси), определена съгласно EN 60745*

Стойност на излъчените вибрации a	3 m/s <sup>2</sup>
Неопределеност K	1.5 m/s <sup>2</sup>

Посоченото в тази инструкция ниво на вибрации е измерено в съответствие с методиката за изпитване, укавана в EN 60745 и може да се използва за сравняване на електроинструменти. Нивото на вибрации може да се използва за предварителна оценка на степента на въздействие.

Декларираното ниво на вибрации се отнася за основното предназначение на електроинструмента. В случаите, при които електроинструментът се използва за друго предназначение, с други принадлежности или ако електроинструментът не се поддържа добре, нивото на вибрации може да различава от посоченото. В тези случаи нивото на въздействие може значително да нарасне в границите на общия период на работа.

При оценката на нивото на въздействие на вибрации трябва също да се отчита времето, през което електроинструментът е изключен или е включен, но не се използва. Това може значително да понижи нивото на въздействие в границите на общия период на работа.

Поддържайте електроинструмента и принадлежностите в добро състояние. Пазете ръцете си топли по време на работа - това ще намали вредното въздействие при работа с повишени вибрации.

Прахът, отделян при обработването на материали като оловосъдържащи бои, някои видове дървесина, минерали и метали, може да бъде опасен за здравето. Допирът или вдишването на праха може да предизвика алергични реакции и/или заболявания на дихателните пътища на оператора или на намиращи се в близост лица.

Някои видове прах, например от дъб или бук, се считат за канцерогенни, особено в комбинация с добавки за обработка на дървесина (хромат, консерванти). Материал, който съдържа азбест, трябва да се обработва само от специалисти.

- Когато това е възможно, използвайте прахоотвеждане.
- За да се постигне висока степен на прахоулавяне, при работа с този електроинструмент използвайте прахосмукачка, предназначена за събиране на прах от дървесина или за прах от дървесина и/или минерален прах.
- Осигурете добра вентилация на работното място.
- Препоръчва се използването на защитна маска за прах с филтър клас P2.

Спазвайте действащите във вашата страна разпоредби за обработване на съответните материали.

### III - Общи указания за безопасност при работа с електроинструменти



**ПРЕДУПРЕЖДЕНИЕ!** Четете всички предупреждения и указания за безопасност. Неспазването на предупрежденията и указанията за безопасност може да предизвика поражение от електрически ток, пожар и/или сериозно нараняване.

Запазете всички предупреждения и указания за бъдещо ползване.

Терминът "електроинструмент" във всички описани по-долу предупреждения се отнася до вашия електроинструмент, захранван от мрежата (с шнур) и/или електроинструмент, захранван от акумулаторна батерия (без шнур).

#### 1. БЕЗОПАСНОСТ НА РАБОТНОТО МЯСТО

- Поддържайте работното място чисто и добре осветено. Безпорядъкът и недостатъчното осветление са предпоставка за трудови злополуки.
- Не работете с електроинструменти в експлозивни атмосфери при наличие на запалими течности, газове или прах. Електроинструментите образуват искри, които могат да възпламенят праха или парите.
- Дръжте децата и страничните лица на разстояние, когато работите с електроинструмент. Разсейването може да доведе до загуба на контрол от Ваша страна.

#### 2. ЕЛЕКТРИЧЕСКА БЕЗОПАСНОСТ

- Щепселите на електроинструментите трябва да съответстват на контактите. Никога не променяйте щепсела по какъвто и да било начин. Не използвайте каквито и да са адаптерни щепсели за електроинструменти със защитно заземяване. Употребата на непроменени щепсели и съответстващите им контакти намалява риска за поражение от електрически ток.
- Избягвайте допир на тялото до земя или до заземени повърхности, такива като тръби, радиатори, кухненски печки и хладилници. Ако тялото ви е заземено, съществува повишен риск от поражение от електрически ток.
- Не излагайте електроинструментите на дъжд или във влажна среда. Проникването на вода в електроинструмента повишава риска от поражение от електрически ток.
- Използвайте шнура по предназначение. Никога не използвайте шнура за носене на електроинструмента, опъване или изваждане на щепсела от контактното гнездо. Дръжте шнура далече от топлина, масло, остри ръбове или движещи се части. Увредени или оплетени шнурове повишават риска за поражение от електрически ток.

- При работа с електроинструмента на открито, използвайте удължител, подходящ за работа на открито. Използването на удължител, подходящ за работа на открито, намалява риска от поражение от електрически ток.
- Ако работата с електроинструмента във влажна среда е неизбежна, използвайте предпазно устройство, задействано от остатъчен ток, за прекъсване на захранването. Използването на предпазно устройство намалява риска от поражение от електрически ток.

#### 3. ЛИЧНА БЕЗОПАСНОСТ

- Бъдете бдителни, работете с повишено внимание и проявявайте благоразумие, когато работите с електроинструмент. Не използвайте електроинструмента, когато сте уморени или под влияние на наркотици, алкохол или медикаменти. Момент на невнимание при работа с електроинструмент може да предизвика сериозна трудова злополука.
  - Използвайте лични предпазни средства. Носете винаги средства за защита на очите. Лични предпазни средства, като маска против прах, непълзащи се безопасни обувки, защитен шлем или средства за защита на слуха, използвани при конкретните условия, намаляват риска от трудови злополуки.
  - Избягвайте неволно пускане. Убедете се, че прекъсвачът е в изключено положение преди включване към източник на захранване и/или акумулаторна батерия, преди да го вземете или пренасяте. Носенето на електроинструмент с пръст върху прекъсвача или свързването към източник на захранване на електроинструмент с прекъсвач във включено положение е предпоставка за трудова злополука.
  - Отстранете всеки ключ за затягане или гаечен ключ преди включване на електроинструмента. Ключ за затягане или гаечен ключ, прикрепен към въртяща се част на електроинструмента, може да предизвика трудова злополука.
  - Не се пресягайте. Поддържайте правилен стоеж и равновесие през цялото време. Това позволява по-добро управление на електроинструмента при неочаквани ситуации.
  - Носете подходящо работно облекло. Носете широки дрехи или бижута. Дръжте косите си, дрехите и ръкавиците далеч от движещи се части. Широки дрехи, бижута или дълги коси могат да се захванат от движещи се части.
  - Ако електроинструментът е снабден с приспособления за засмукване и улавяне на прах, убедете се, че те са свързани и правилно използвани. Използването на тези устройства може да намали свързаните с прах опасности.
- #### 4. ИЗПОЛЗВАНЕ И ГРИЖИ ЗА ЕЛЕКТРОИНСТРУМЕНТИТЕ
- Не претоварвайте електроинструмента. Използвайте правилно избрания електроинструмент според приложението. Правилно

избраният електроинструмент работи по-добре и по-безопасно при обявения режим на работа, за който е проектиран.

- b) Не използвайте електроинструмента, ако прекъсвачът не превключва във включено и изключено положение. Всеки електроинструмент, който не може да бъде управляван с прекъсвач, е опасен и трябва да бъде ремонтиран.
- c) Разединете щепсела от захранващата мрежа преди да извършите всякакви настройки, преди замяна на принадлежности или преди да приберете електроинструмента за съхранение. Тези предпазни мерки за безопасност намаляват риска от неволно пускане на електроинструмента.
- d) Съхранявайте неизползваните електроинструменти на места, недостъпни за деца и не позволявайте на обслужващи лица, които не познават електроинструмента или не са запознати с тези инструкции, да работят с него. Електроинструментите са опасни в ръцете на необучени потребители.
- e) Поддържайте електроинструментите. Проверявайте движещите се части дали функционират нормално и се движат свободно, целостта и изправността на частите, както и за всякакво друго обстоятелство, което може неблагоприятно да повлияе на работата на електроинструмента. Ако е повреден, електроинструментът трябва да бъде ремонтиран преди по-нататъшно използване. Много злополуки са причинени от лошо поддържани електроинструменти.
- f) Поддържайте режещите инструменти остри и чисти. Правилно поддържаните режещи инструменти с остри режещи ръбове е по-малко вероятно да блокират и са по-лесни за управление.
- g) Използвайте електроинструмента, принадлежностите и частите на инструмента и т.н. в съответствие с тези инструкции и по начин, предвиден за конкретния тип електроинструмент, като вземате предвид работните условия и работата, която трябва да се извършва. Използването на електроинструмента за работа, различна от тази, за която е проектиран, може да предизвика опасна ситуация.

## 5. ОБСЛУЖВАНЕ

- a) Поддържайте вашия електроинструмент при квалифициран специалист по ремонта, като използвате само оригиналните резервни части. Това осигурява запазването на безопасността на електроинструмента.

## IV - Допълнителни правила за безопасност при работа с електрически рендета

- Преди да оставите електроинструмента винаги изчакайте ножовият барабан да спре. Откритата въртяща режеща част на рендето може да се ереже в повърхност, с което да предизвика загуба на контрол и сериозна злополука.
- Дръжте електроинструмента само за изолираните повърхности за захващане когато извършвате операция, при която режещата принадлежност може да допре до скрита ел.инсталация или до собствения шнур. Допирът на режещата принадлежност до проводник под напрежение ще постави откритите метални части на електроинструмента под напрежение и операторът ще получи токов удар.
- Използвайте скоби или друг подходящ начин за закрепване на обработвания материал към стабилна основа. Придържането на обработвания материал с ръка или към тялото ви е неустойчиво и може да предизвика загуба на контрол.
- Винаги носете защитни очила и антифони и използвайте прахозащитна маска.
- За да се предотврати евентуално прегряване, винаги развивайте докрай кабела от удължител с кабелен барабан.
- Когато се налага използването на удължител, убедете се, че сечението му отговаря на номиналния ток на използвания електроинструмент, както и в изправността на удължителя.
- След продължителна работа външните метални части и принадлежностите могат да се нагорещят.
- Винаги изключвайте електроинструмента преди да го оставите.
- Не претоварвайте електроинструмента - оставете го да работи на разумна скорост. Претоварване се получава ако оказвате прекален натиск, което ще забави електродвигателя и ще доведе до неефективна работа и вероятна повреда в самия електродвигател.
- Винаги, когато е възможно, използвайте система за прахоотвеждане.
- Парцали, дрехи, кабели и други подобни предмети не трябва да се оставят около работното място.
- Не дръжте пирони, винтове и други предмети на работното място. Може да повредите ножовете и самия електроинструмент ако срежете пирон или друг неподходящ предмет.
- Работете с ножовете изключително внимателно.
- Преди да започнете работа се уверете, че винтовете за закрепване на ножовете са добре затегнати.
- Дръжте електроинструмента здраво с две ръце.
- Пазете ръцете си от движещите се части.



- Преди да започнете работа с електроинструмента го пуснете да поработи малко на празен ход.
- Наблюдавайте за наличие на вибрации, които показват лош монтаж или неправилно балансирани ножове.
- Убедете се, че ножът не е в контакт с обработваната повърхнина, когато включвате електроинструмента.
- Изчакайте докато ножовете достигнат пълна скорост преди да започнете да рендосвате.
- При работа дръжте електроинструмента на минимум 200 mm разстояние от тялото си.
- Винаги изключвайте електроинструмента и изчакайте докато ножовете спрат напълно преди да предприемете някакви настройки.
- Никога не поставяйте пръста си върху улея за стърготините. Те могат да се заклеснат в улея, когато режете влажен дървен материал. Почистете стърготините с пръчка, но само когато машината е изключена и щепселът ѝ е изваден от контакта.
- Не оставайте електроинструмента да работи без надзор. Работете с него само когато го контролирате с двете си ръце. В противен случай може да се нараните.
- Винаги сменяйте двата ножа едновременно, в противен случай получилият се дисбаланс ще доведе до нестабилност и ще съкрати живота на ножовете и на самия електроинструмент.



**ПРЕДУПРЕЖДЕНИЕ:** Преди да включите електроинструмента към захранващата мрежа (контакт, фасунга, бухса) се уверете, че захранващото напрежение е същото, каквото е указано на табелката на електроинструмента. Захранващо напрежение, по-високо от номиналното, може да предизвика сериозни травми на потребителя, както и повреда на машината.

- В случай, че не сте сигурни какво е напрежението, не включвайте електроинструмента.
- В случай, че напрежението е по-ниско от номиналното, електродвигателят ще се повреди.
- Електроинструментът трябва да се използва само по предназначение. Всякаква друга употреба, различаваща се от описаната в тази инструкция, ще се счита за неправилна употреба. Отговорността за всякаква повреда или нараняване, произтичащи от неправилна употреба, ще се носи от потребителя, а не от производителя.
- За да експлоатирате правилно този електроинструмент, трябва да съблюдавате правилата за безопасност, общите инструкции и указанията за работа, посочени тук. Всички потребители трябва да са запознати с тази инструкция за експлоатация и информирани за потенциалните рискове при работата с електроинструмента. Деца и физически слаби хора не трябва да използват електроинструмента. Децата трябва да бъдат под непрекъснато наблюдение ако се намират в близост до място, където се работи с електроинструмента. Задължително е да пред-

приемете и превантивни мерки за безопасност. Същото се отнася и за спазването на основните правила за професионалното здраве и безопасност. Производителят не носи отговорност за извършени от потребителя промени върху електроинструмента или за повреди, предизвикани от подобни промени.

Дори когато електроинструментът се използва по предназначение, е невъзможно да се елиминират всички остатъчни рискови фактори. Изброените по-долу опасности могат да възникнат във връзка с конструктивните особености и дизайна на електроинструмента.

- Проблеми със слуха, ако не се използват ефективни предпазни мерки.
- Винаги изключвайте щепсела от контакта преди да ремонтирате или пренастройвате електроинструмента, включително когато смените ножовете или регулирате дълбочината на рендосване.
- Допиране до ножовете.
- Проникване в работната зона под основата при работеща машина.
- Отскачане на работния материал или части от него.
- Счупване на нож.
- Отлитане на парчета от повреден нож.
- Електроинструментът е предназначен за работа в помещения и зони с нормална пожарна опасност съгласно "Наредба №2 "Противопожарни строително-технически норми". Не се допуска използването му във взривоопасна и пожароопасна среда, при температура на околния въздух над 40°C, в особено влажна среда, при наличие на валежи и в химически активна среда. Работното място трябва да е добре осветено.

## V - Запознаване с електроинструмента

Преди да започнете да работите с рендето се запознайте с всички оперативни особености и условия за безопасност. Използвайте електроинструмента и принадлежностите му само по предназначение. Всяко друго приложение е изрично забранено.

1. Подвижна предна основа
2. Регулатор за настройване дълбочината на рендосване
3. Накрайник за прахоотвеждане
4. Прекъсвач
5. Блокиращ бутон на прекъсвача
6. Ръкохватка
7. Място за съхранение на гаечния ключ
8. Капак на задвижващия ремък
9. Гаечен ключ
10. Торбичка за прах
11. Ножов барабан
12. Двустранно заточен нож
13. Затягащ болт
14. Палец



## VI - Указания за работа

Този електроинструмент се захранва от еднофазно променливо напрежение. Той е с двойна изолация съгласно EN 60745 и IEC 60745 и може да се присъединява към контакти без защитни клеми. Радиосмущенията съответстват на Директивата за електромагнитна съвместимост 2004/108/EC.

### ПРЕДИ ДА ЗАПОЧНЕТЕ РАБОТА

- Проверете дали напрежението на електрическата мрежа отговаря на това, означено върху табелката с технически данни на електроинструмента.
- Убедете се в изправността на захранващия кабел и щепсел. Ако захранващият кабел е повреден, заменятая трябва да се извърши от производителя или от негов сервизен специалист, за да се избегнат опасностите от замената.

### НАСТРОЙВАНЕ ДЪЛБОЧИНАТА НА РЕНДОСВАНЕ



**ПРЕДУПРЕЖДЕНИЕ:** Уверете се, че електроинструментът е изключен и щепселът е изваден от контакта преди да промените настройките или да смените ножовете на рендето.

1. За по-дълбоко рендосване завъртете регулатора за настройване на дълбочината на рязане (2) по часовниковата стрелка, а за по-плитко – обратно на часовниковата стрелка (Фиг. 1).
2. Числата върху скалата на регулатора за настройване на дълбочината на рендосване указват на каква степен сте настроили рендето.
3. Ако е необходимо да определите точно дълбочината на рендосване, обработете ненужно парче дърво, измерете разликите в дебелината и ако е необходимо извършете повторна настройка.



**ПРЕДУПРЕЖДЕНИЕ:** Когато рендето не се използва, убедете се, че регулаторът е поставен в положение "0", в това положение ножът не може да се вреже в обработвания детайл.

### МОНТАЖ И ДЕМОНТАЖ НА НОЖОВЕТЕ



**ПРЕДУПРЕЖДЕНИЕ:** Уверете се, че електроинструментът е изключен и изваждате щепсела от контакта преди да монтирате или демантирате ножовете.

Рендето е комплектовано с двустранно заточени ножове. Ножовете могат да се обърнат след като се износат от едната страна. Когато и двете страни на ножовете се изхабят, те трябва да бъдат заменени.

**ЗАБЕЛЕЖКА:** Ножовете не могат да се заточват повторно.

### ДЕМОНТАЖ НА НОЖ



**ПРЕДУПРЕЖДЕНИЕ:** Ножовете са много остри. Бъдете изключително предпазливи когато хващате ножовете.

1. Разхлабете трите затягащи болта (13), като използвате гаечния ключ (9).
2. Плъзнете ножа (12) от процепа в барабана (11), в който той се намира (Фиг.2).

### МОНТАЖ НА НОЖ

1. Обърнете ножа (12) или ако е изхабен го заменете с нов.
2. Вземете новия нож и го поставете между носача и държача.

**ЗАБЕЛЕЖКА:** Ръбът по продължение на ножа трябва да бъде с лице към обратната страна на стягащите болтове (13).

3. Затегнете равномерно болтовете (13). Първо затегнете двата най-външни болта и накрая затегнете болта в средата.
4. Повторете операцията и за другия нож.

**ЗАБЕЛЕЖКА:** Когато ножовете се износат трябва да се подмени комплекта от два ножа, за да се предотврати дисбаланс, опасни вибрации и възможна повреда на електроинструмента.



**ПРЕДУПРЕЖДЕНИЕ:** Когато поставяте ножовете първо почистете стърготините, попълнали по барабана (11) и по самите ножове. Използвайте ножове със същия размер и тегло като оригиналните, защото в противен случай барабанът ще вибрира. Това ще доведе до некачествено рендосване и вероятна повреда на машината. Внимателно затегнете болтовете (13), когато прикрепвате ножовете към рендето. Разхлабането на затягащ болт е изключително опасно. Редовно проверявайте дали болтовете са добре затегнати.



**ПРЕДУПРЕЖДЕНИЕ:** Рендето е конструирано да работи с ножове, които са добре подравнени и правилно затегнати в техните легла. Когато монтирате нови ножове е много важно те да са вкарани под прав ъгъл в леглата си докрай, а режещите им краища да са идеално подравнени, т.е. да са успоредни на повърхнината на задната основа. Едва след като всички тези условия са изпълнени се допуска да затегнете болтовете. Ако ножовете стърчат навън или не са под прав ъгъл е възможно да задерат в корпуса и да се създаде сериозна опасност за оператора и страничните лица. Ножът трябва да е центриран в барабана.

**ЗАБЕЛЕЖКА:** Ако ножовете не са поставени и затегнати добре обработваната повърхност ще бъде грапава и неравна.



Посочените примери илюстрират правилното и неправилното монтиране:

- **Чисто рендосване** (Фиг. 3)
- **Неравности по повърхността** – ако ръбът на един или всички ножове не е успореден на задната основа (Фиг. 4).
- **Вдълбнатини в началото** – ако ръбът на един или всички ножове не се подава достатъчно спрямо задната основа (Фиг. 5).
- **Вдълбнатини в края** – ако ръбът на един или всички ножове се подава прекалено много спрямо задната основа (Фиг. 6).

#### ЗАБЕЛЕЖКА:

- (a) Предна основа (подвижна част)
- (b) Задна основа (неподвижна част)



**ПРЕДУПРЕЖДЕНИЕ:** Двата винта с вътрешен шестстен маркирани с червена боя не трябва да се регулират. Положението на тези два винта може да се променя само от производителя.

#### ПУСКАНЕ – СПИРАНЕ



**ПРЕДУПРЕЖДЕНИЕ:** Преди да включите щепсела в контакта винаги проверявайте дали прекъсвачът (4) и блокиращият бутон (5) са в изправност. Преди да пуснете машината се уверете че ножовият барабан не се допира до никаква повърхност.

1. Включете щепсела в контакта, натиснете блокиращия бутон (5) и дръпнете прекъсвача (4). (Фиг. 8)
2. За да спрете машината просто освободете прекъсвача (4).
3. Ако желаете да рестартирате машината е необходимо да задействате едновременно блокиращия бутон (5) и прекъсвача (4). Това е важен момент за осигуряване на безопасност при работа с машината. (Фиг. 9)



**ПРЕДУПРЕЖДЕНИЕ:** Моля обърнете внимание на това, че ножовете продължават да се въртят известно време след изключване на рендето. Изчакайте докато електродвигателят спре напълно преди да оставите електроинструмента настрана, за да предотвратите повреда на ножовете или на повърхността.

#### РЕНДОСВАНЕ

1. Поставете предната основа (1) хоризонтално на повърхността, която ще обработвате, без ножовете да я допират.
2. Включете електроинструмента и изчакайте ножовете да достигнат пълна скорост.

3. Движете внимателно машината напред, като оказвайте натиск върху рендето.
4. Избутайте рендето зад края на обработвания детайл без да го наклоняте надолу.
5. Скоростта на придвижване на рендето и дълбочината на рендосване определят качеството на крайния резултат. За по-груба обработка може да увеличите дълбочината на рязане. За по-фина обработка трябва да намалите дълбочината и да подавате рендето по-бавно.

**ЗАБЕЛЕЖКА.** Рендосването ще бъде по-лесно ако поставите обработвания детайл под лек наклон в посока надолу и навън.



**ПРЕДУПРЕЖДЕНИЕ:** Прекалено бързото подаване ще предизвика влошаване на качеството на обработваната повърхност и повреда на ножовете или на електродвигателя. Прекалено бавното подаване също може да влоши качеството на обработваната повърхност.

Подходящата скорост зависи от вида на обработвания материал и от дълбочината на рязане. Първо изпробвайте рендето върху ненужно парче материал, за да можете да определите подходящите за целта скорост и дълбочина.



**ПРЕДУПРЕЖДЕНИЕ:** Прикрепете обработваемия материал към работната маса.

#### СНЕМАНЕ НА ФАСКИ (Фиг. 10)

V-образните канали в подвижната предна основа (1) позволяват бързо и лесно снемане на фаски. В зависимост от желаната ширина на фаската поставете съответния V-образен канал на ръба на обработвания материал и водете рендето успоредно на ръба.

#### ИЗХВЪРЛЯНЕ НА СТЪРГОТИНИТЕ

1. Поставете торбичката за прах (10) в отвор (3).
2. За ефикасно премахване на праха и стърготините можете да свържете накрайника (3) със система за прахоотвеждане или прахосмукачка. По този начин ще осигурите по-безопасна и чиста работна среда.

#### ПОДМЯНА НА ЗАДВИЖВАЩИЯ РЕМЪК



**ПРЕДУПРЕЖДЕНИЕ:** Уверете се, че електроинструментът е изключен и щепселът е изваден от контакта преди да промените настройките или да смените ножовете на рендето.

1. За да подмените задвижващия ремък първо развийте трите винта с кръстообразни прорези,

- които държат капака на движещия ремък (8) от лявата страна на рендето гледано отзад.
2. Извадете износения ремък като го издърпате от горната ролка докато въртите долната ролка на ръка. Използвайте мека четка, за да почистите ролките и заобикалящата ги площ.

**ЗАБЕЛЕЖКА.** Носете предпазни очила, когато почиствате ролките.

3. Трите прави (непрекъснати) ▲ профила от вътрешната страна на ремъка трябва да влязат в трите "V" канала на ролките. Поставете новия ремък на долната ролка. Нагласете другия край на ремъка около горната ролка и го завъртете докато се опъне и задвижи двете ролки.
4. Проверете с ръка дали ремъкът се върти свободно.
5. Поставете капака и затегнете трите винта.
6. Поставете щепсела в контакта, включете машината за една минута, за да сте сигурни, че електродвигателят и ремъкът работят добре.

## ПРИНАДЛЕЖНОСТИ

Комплект от 2 ножа (монтирани), торбичка за прах, гаечен ключ.

## VII - Поддръжка



**ПРЕДУПРЕЖДЕНИЕ:** Винаги изключвайте електроинструмента и изваждайте щепсела от контакта преди всякаква проверка или поддръжка.

Проверявайте редовно дали винтовете на корпуса са здраво притегнати. При продължителна употреба винтовете може да се разхлабят от вибрациите. Редовно смазвайте всички движещи се части.

### ОБЩА ПРОВЕРКА

Когато четките се износят, двете четки трябва да се подменят едновременно с оригинални четки в сервиз на SPARKY за гаранционна и извънгаранционна поддръжка.

Ако захранващият кабел е повреден, замяната трябва да се извърши от производителя или негов сервизен специалист, за да се избегнат опасности от замяната.

### ПОЧИСТВАНЕ

За безопасна работа поддържайте винаги чисти машината и вентилационните отвори.

Редовно проверявайте дали във вентилационната решетка близо до електродвигателя или около превключвателите не е проникнал прах или чужди тела. Използвайте мека четка за да отстраните събрания се прах. За да предпазите очите си, по време на почистването носете защитни очила.

Ако корпусът на машината се нуждае от почистване, избършете го с мека влажна кърпа. Може да се използва слаб препарат за миене.



**ПРЕДУПРЕЖДЕНИЕ:** Не се допуска употребата на спирт, бензин или други разтворители. Никога не използвайте разяждащи препарати за почистване на пластмасовите части.



**ПРЕДУПРЕЖДЕНИЕ:** Не се допуска влизането на вода в контакт с машината.

**ВАЖНО!** За да се осигури безопасната работа с електроинструмента и неговата надеждност, всички дейности по ремонта, поддръжката и регулирането (включително проверката и подмяната на четките) трябва да се извършват в оторизирани сервизи на SPARKY с използване само на оригинални резервни части.

## VIII - Гаранция

Гаранционният срок на електроинструментите SPARKY се определя в гаранционна карта.

Неизправности, появили се в следствие на естествено износване, претоварване или неправилна експлоатация, се изключват от гаранционните задължения.

Неизправности, появили се в следствие на влагане на некачествени материали и/или производствени грешки, се отстраняват без допълнително заплащане чрез замяна или ремонт.

Рекламация на дефектирал електроинструмент SPARKY се признава, когато машината се върне на доставчика или се представи на оторизиран гаранционен сервиз в неразглобено (първоначално) състояние.

## Забележки

Внимателно прочетете цялата инструкция за използване преди да използвате това изделие.

Производителят си запазва правото да въвежда подобрения и промени в своите изделия и да променя спецификациите без предупреждение.

Спецификациите могат да се различават за отделните страни.

1203R01